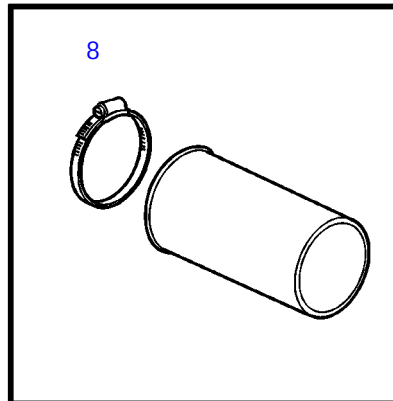
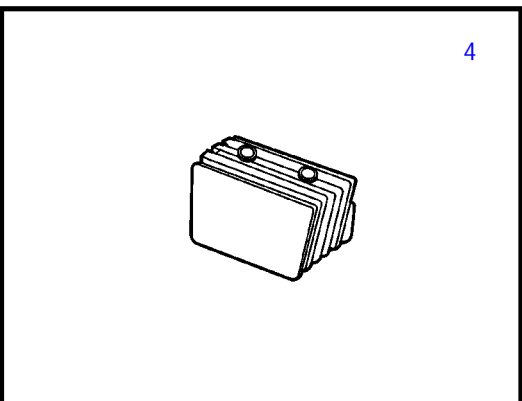
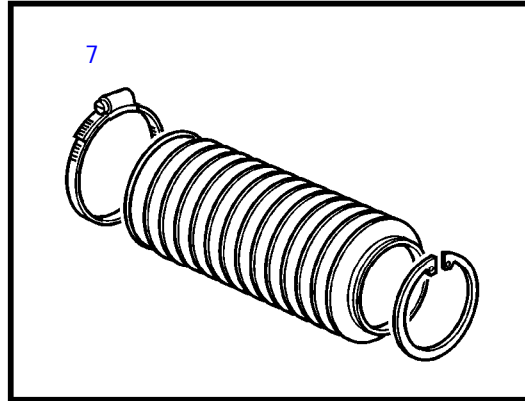
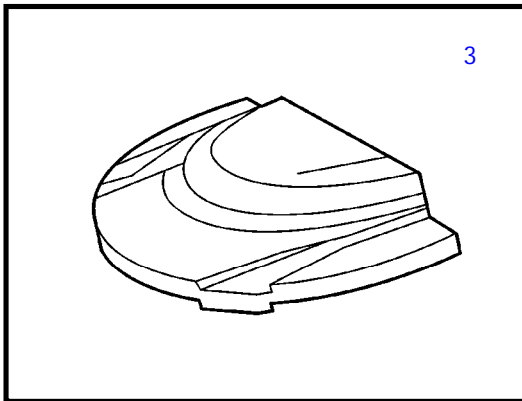
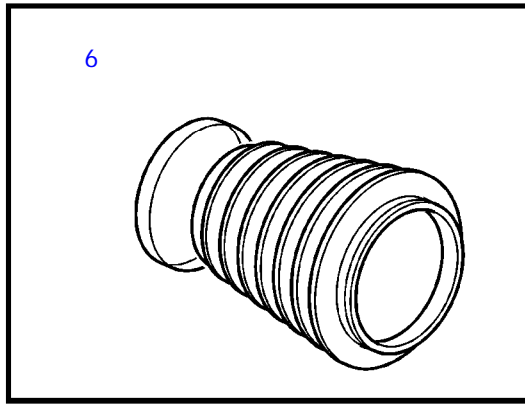
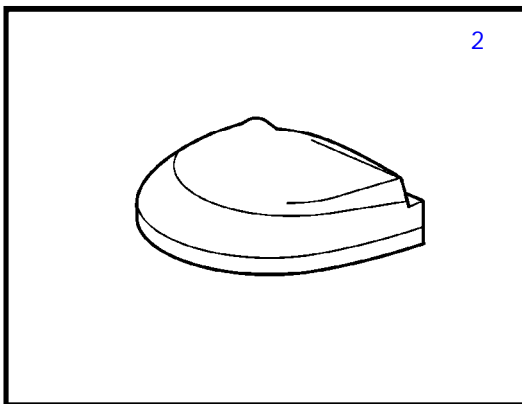
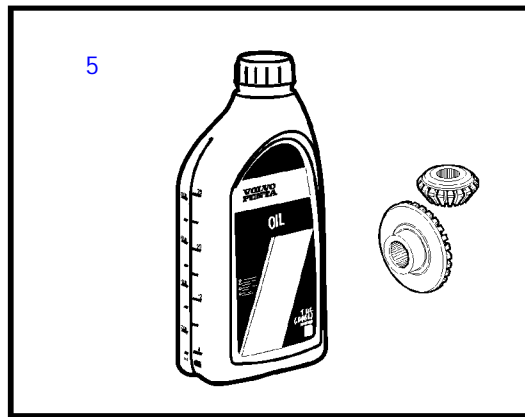
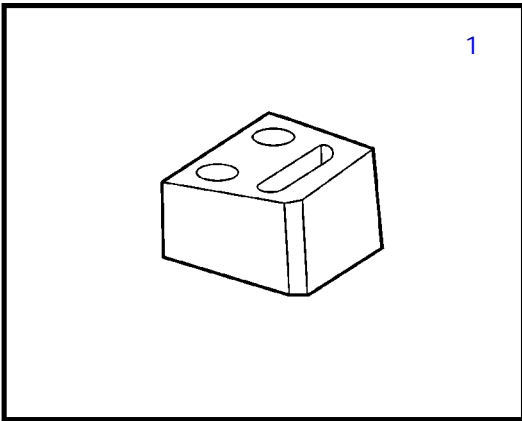


SX-M, SX-MACLT, SX-MBAC, SX-MHP

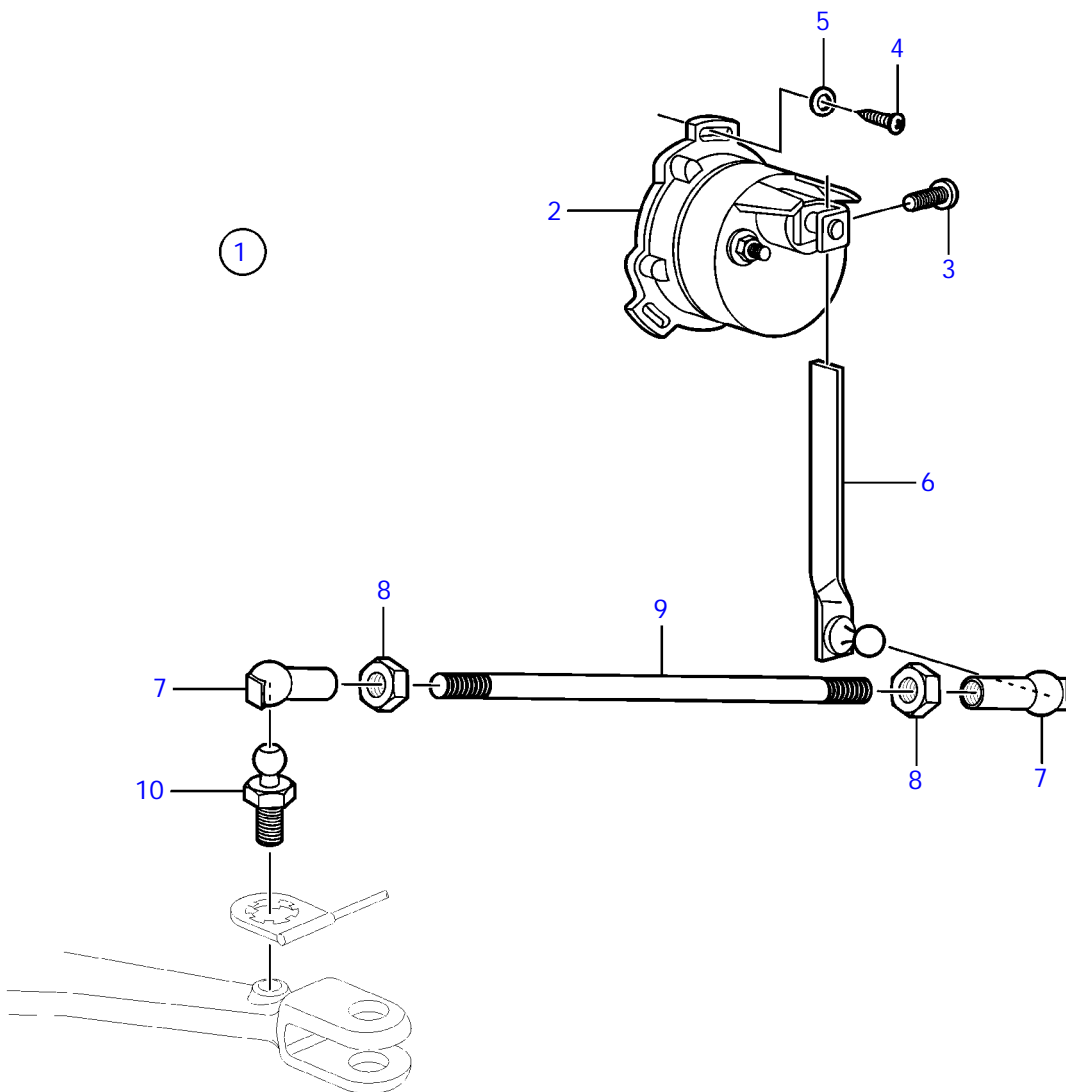
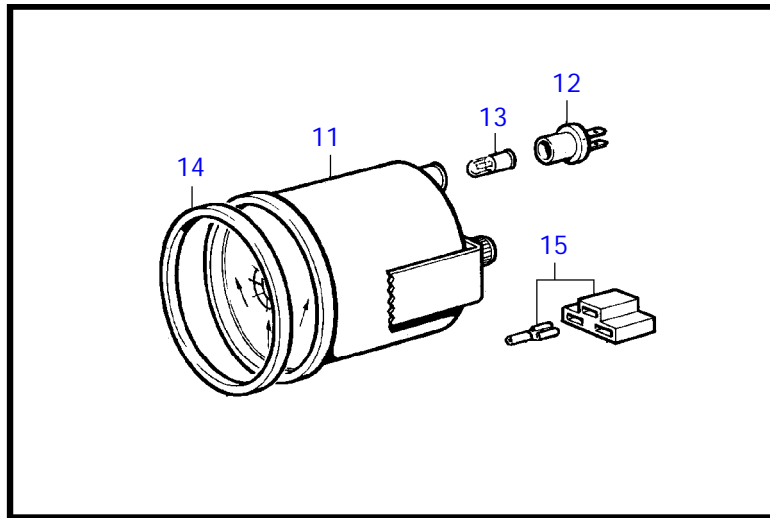


25155

SX-M, SX-MACLT, SX-MBAC, SX-MHP

REF	PART NO.	QTY	DESCRIPTION	SEE SEC.	NOTES
1	3586461	1	Anode, aluminum		
	3854130	1	Anode, zinc		
			• Bulletin P-44-1-1	P-44-1-1-EN	Anodes, SX AND DP-S
1	3855610	1	Magnesium anode, magnesium		
2	3863193	1	Anode, aluminum		
	3855411	1	Zinc anode		
			• Bulletin P-44-1-1	P-44-1-1-EN	Anodes, SX AND DP-S
2	3855412	1	Magnesium anode		
3	3857857	1	Zinc anode		
	3857858	1	Magnesium anode		
4	873395	2	Zinc electrode		SX-MHP
	3863480	2	Magnesium anode		SX-MHP
5		X	Transmission oil		Fill level is determined by dipstick
		X	Transmission oil		USA
	1141679	3	Transmission oil		12x1 qt
	1141680	1	Transmission oil		4x1 gal
	1141681	1	Transmission oil		5 US gal
		X	Transmission oil		Europe and other markets
	3809443	3	Transmission oil		1L
	1161995	1	Oil		5L
	3809441	1	Transmission oil		20L
6	3841481	1	Bellows kit, u-joint		
	853012	1	• Hose clamp		
7	3850426	1	Bellows, exhaust		
			• Bulletin P-44-1-20	P-44-1-20-EN	Exhaust Bellows, problems with aftermarket parts
7	3852603	1	Hose clamp		
	3852665	1	Retainer		
8	3587641	1	Bellows		
	3852603	1	Hose clamp		

SX-M, SX-MACLT, SX-MBAC, SX-MHP

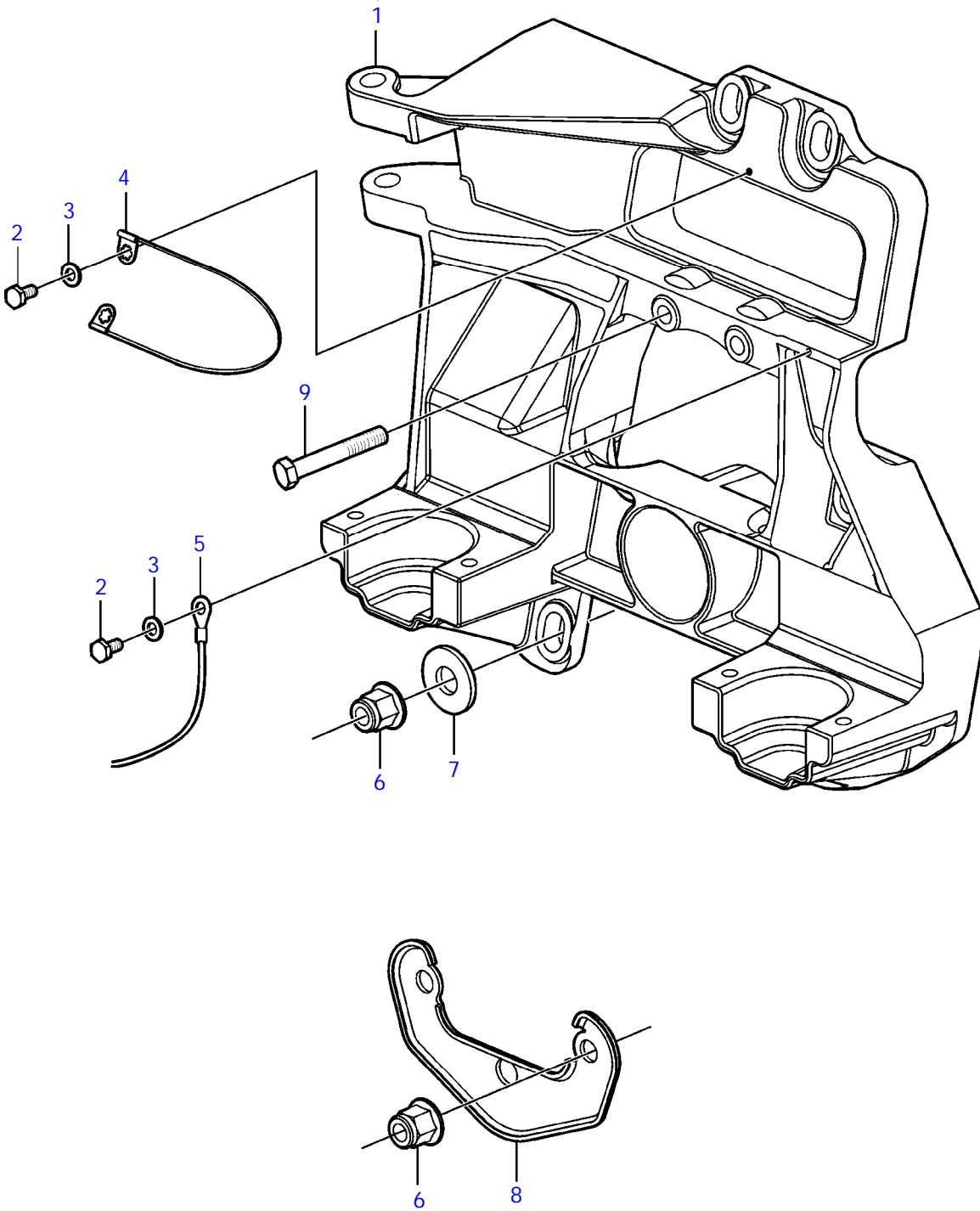


24824

SX-M, SX-MACLT, SX-MBAC, SX-MHP

REF	PART NO.	QTY	DESCRIPTION	NOTES
1	21323189	1	Sensor	
2	837772	1	• Position sensor	
3		1	• • Screw	Not sold separately
		2	• • Nut	Not sold separately
		2	• • Lock washer	Not sold separately
4	955132	3	• Cross recessed screw	
5	955891	3	• Washer	
6	3863388	1	• Arm	
7	946704	1	• Ball socket	Left hand threads
	946703	1	• Ball socket	Right hand threads
8	942836	1	• Hexagon nut	Left hand threads
	955780	1	• Hexagon nut	Right hand threads
9	943549	1	• Control rod	
10	21319346	1	• Ball stud	
11	863944	1	Rudder indicator	
	873207	1	• Brace kit	
		2	• • Nut	
		2	• Spacer	
12	863945	1	• Lamp socket	
13	863946	1	• Bulb	
14	858643	1	Front ring	
15		X	Connector	

SX-M, SX-MACLT, SX-MBAC, SX-MHP

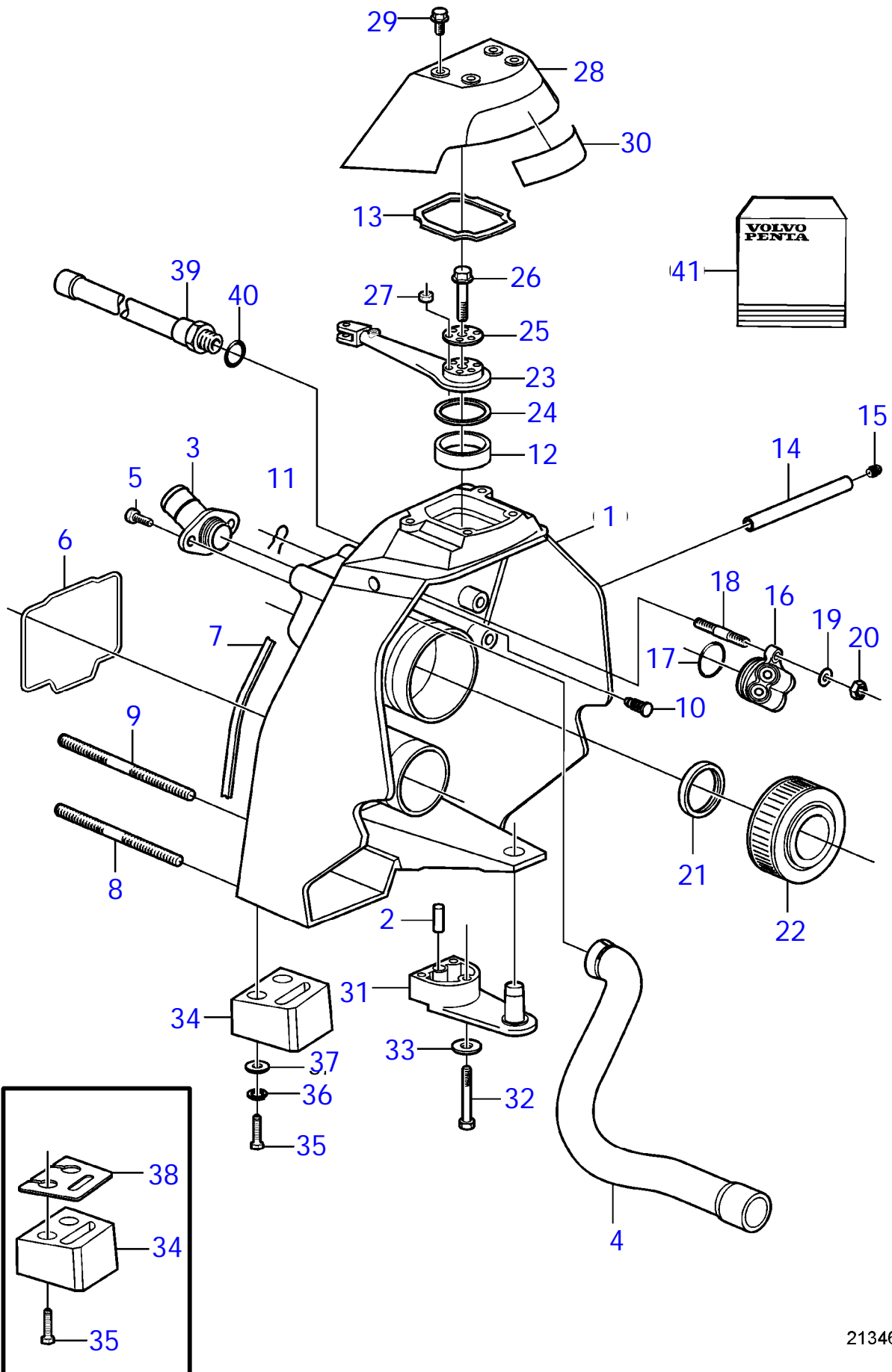


22304

SX-M, SX-MACLT, SX-MBAC, SX-MHP

REF	PART NO.	QTY	DESCRIPTION
1	3854605	1	Shield
2	3852050	2	Screw
3	3852193	2	Washer
4	3857347	2	Ground cable
5	3853927	1	Chassie ground cable
6	3853329	6	Nut
7	3852573	4	Washer
8	3852605	1	Bearing plate
9	3853547	2	Screw

SX-M

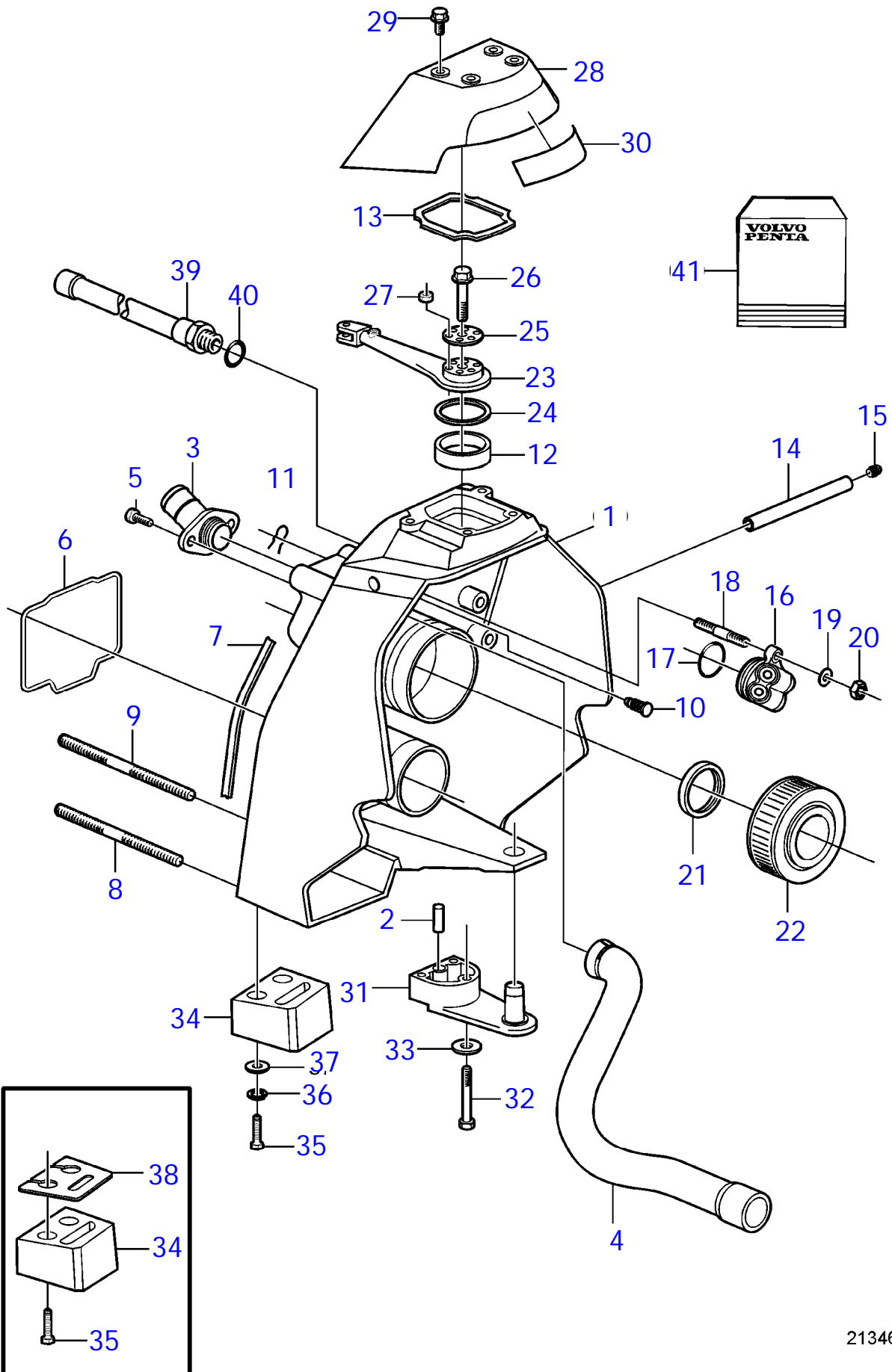


21346

SX-M

REF	PART NO.	QTY	DESCRIPTION	SEE SEC.	NOTES
1	3817146	1	Housing		
2	3852549	1	• Pin		
3	3807688	1	• Fitting		
4	3807890	1	• Hose		
5	3852454	2	• Screw		
6	3587651	1	• Kit		
7	3852550	1	• Sealing		
8	3852576	2	• Stud		
9	3852546	4	• Stud		
10	3851975	1	• Plug		
11	3852555	1	• Retainer		
12	3852547	1	• Bearing		
13	3857087	1	• O-ring		
14	3852564	1	• Tube		
15	3852121	1	• Fitting		
16	3852559	1	• Block		
17	3852169	1	• O-ring		
18	3852141	1	• Stud		
19	3852193	1	• Washer		
20	3852005	1	• Nut		
21	3852548	1	• Sealing		
22	3853807	1	• Bearing		
23	3852379	1	Arm		
24	3852554	1	Washer		
25	3852585	1	Plate		
26	3852591	1	Screw		
27	3852004	4	Nut		
28	3857238	1	Cardboard tube		
29	3857146	4	Flange screw		
30	3857652	1	Decal		
31	3858192	1	Bracket		
32	3852151	3	Hexagon screw		
33	(3852155)	3	Washer		Obsolete part
34	3854130	1	Anode		
			• Bulletin P-44-1-1	P-44-1-1-EN	Anodes, SX AND DP-S
34	3855610	1	Magnesium anode		
	3586461	1	Anode, aluminum		
35	3852192	2	Hexagon screw		
36	3852061	2	Washer		
37	(3852191)	2	Washer		Obsolete part
38	3812383	1	Plate		
39	3856800	1	Hose		
40	3852537	1	O-ring		
41	3858631	1	Sealing kit		

SX-MACLT



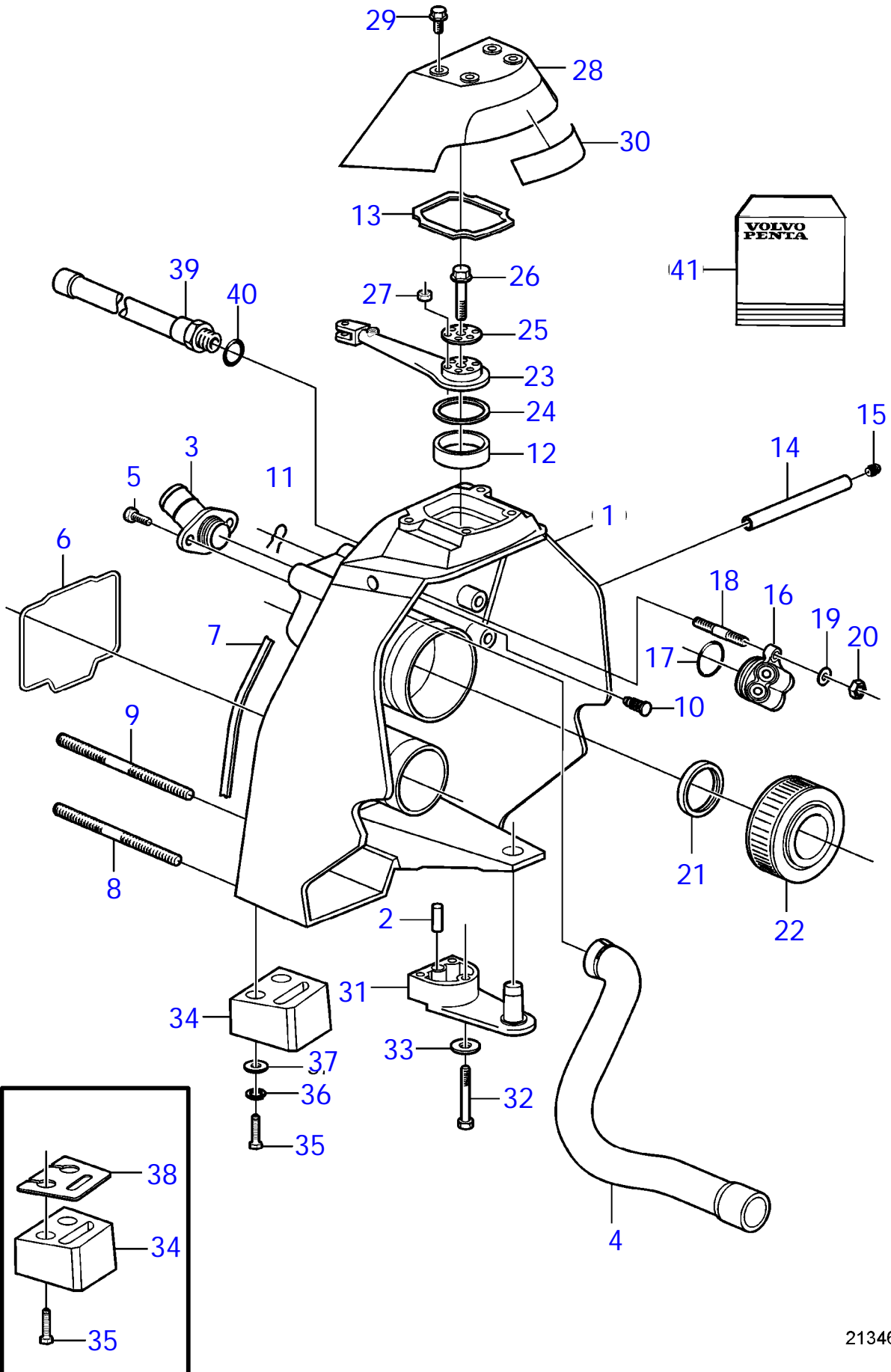
21346



SX-MACLT

REF	PART NO.	QTY	DESCRIPTION	SEE SEC.	NOTES
1	3817148	1	Housing		
2	3852549	1	• Pin		
3	3807688	1	• Fitting		
4	3807890	1	• Hose		
5	3852454	2	• Screw		
6	3587651	1	• Kit		
7	3852550	1	• Sealing		
8	3852576	2	• Stud		
9	3852546	4	• Stud		
10	3851975	1	• Plug		
11	3852555	1	• Retainer		
12	3852547	1	• Bearing		
13	3857087	1	• O-ring		
14	3852564	1	• Tube		
15	3852121	1	• Fitting		
16	3852559	1	• Block		
17	3852169	1	• O-ring		
18	3852141	1	• Stud		
19	3852193	1	• Washer		
20	3852005	1	• Nut		
21	3852548	1	• Sealing		
22	3853807	1	• Bearing		
23	3852379	1	Arm		
24	3852554	1	Washer		
25	3852585	1	Plate		
26	3852591	1	Screw		
27	3852004	4	Nut		
28	3857238	1	Cardboard tube		
29	3857146	4	Flange screw		
30	3857652	1	Decal		
31	3858192	1	Bracket		
32	3852151	3	Hexagon screw		
33	(3852155)	3	Washer		Obsolete part
34	3854130	1	Anode		
			• Bulletin P-44-1-1	P-44-1-1-EN	Anodes, SX AND DP-S
34	3855610	1	Magnesium anode		
	3586461	1	Anode, aluminum		
35	3852192	2	Hexagon screw		
36	3852061	2	Washer		
37	(3852191)	2	Washer		Obsolete part
38	3812383	1	Plate		
39	3856800	1	Hose		
40	3852537	1	O-ring		
41	3858631	1	Sealing kit		

SX-MBAC



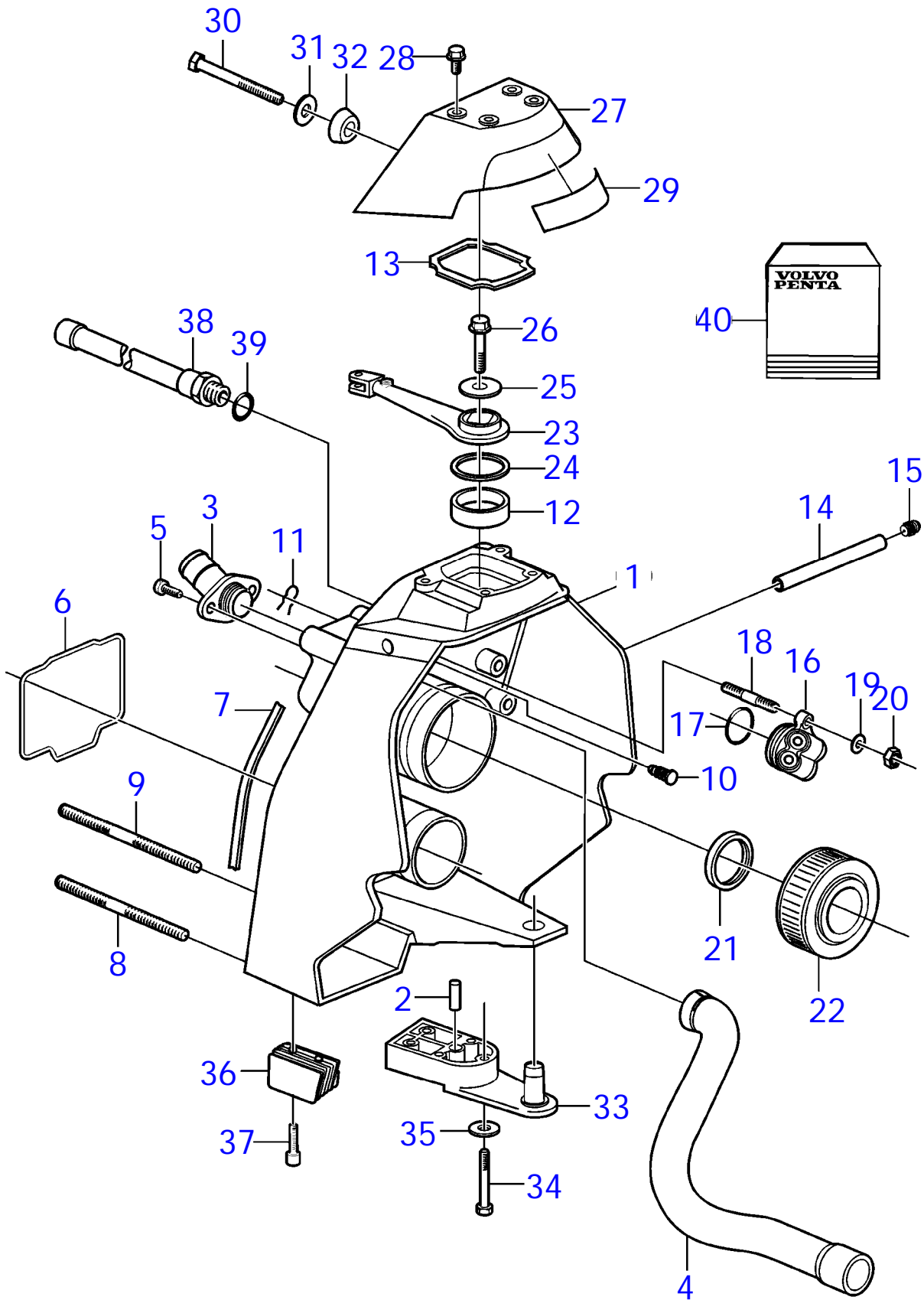
21346



SX-MBAC

REF	PART NO.	QTY	DESCRIPTION	SEE SEC.	NOTES
1	3817148	1	Housing		
2	3852549	1	• Pin		
3	3807688	1	• Fitting		
4	3807890	1	• Hose		
5	3852454	2	• Screw		
6	3587651	1	• Kit		
7	3852550	1	• Sealing		
8	3852576	2	• Stud		
9	3852546	4	• Stud		
10	3851975	1	• Plug		
11	3852555	1	• Retainer		
12	3852547	1	• Bearing		
13	3857087	1	• O-ring		
14	3852564	1	• Tube		
15	3852121	1	• Fitting		
16	3852559	1	• Block		
17	3852169	1	• O-ring		
18	3852141	1	• Stud		
19	3852193	1	• Washer		
20	3852005	1	• Nut		
21	3852548	1	• Sealing		
22	3853807	1	• Bearing		
23	3852379	1	Arm		
24	3852554	1	Washer		
25	3852585	1	Plate		
26	3852591	1	Screw		
27	3852004	4	Nut		
28	3857238	1	Cardboard tube		
29	3857146	4	Flange screw		
30	3857652	1	Decal		
31	3858192	1	Bracket		
32	3852151	3	Hexagon screw		
33	(3852155)	3	Washer		Obsolete part
34	3854130	1	Anode		
			• Bulletin P-44-1-1	P-44-1-1-EN	Anodes, SX AND DP-S
34	3855610	1	Magnesium anode		
	3586461	1	Anode, aluminum		
35	3852192	2	Hexagon screw		
36	3852061	2	Washer		
37	(3852191)	2	Washer		Obsolete part
38	3812383	1	Plate		
39	3856800	1	Hose		
40	3852537	1	O-ring		
41	3858631	1	Sealing kit		

SX-MHP

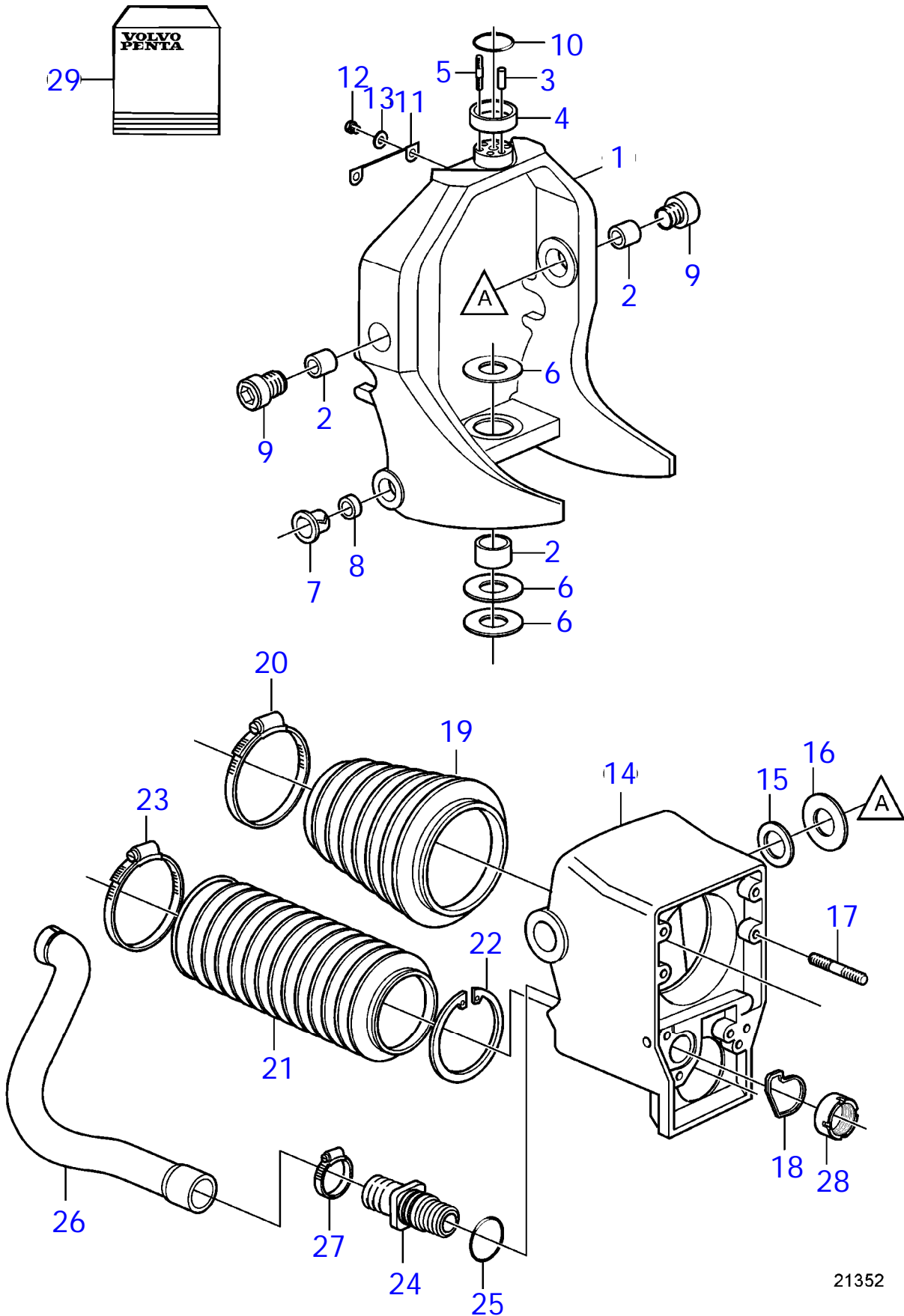


21347

SX-MHP

REF	PART NO.	QTY	DESCRIPTION	NOTES
1	3817147	1	Housing	
2	3852549	1	• Pin	
3	3807688	1	• Fitting	
4	3807890	1	• Hose	
5	3852454	2	• Screw	
6	3587651	1	• Kit	
7	3852550	1	• Sealing	
8	3852576	2	• Stud	
9	3852546	4	• Stud	
10	3851975	1	• Plug	
11	3852555	1	• Retainer	
12	3852547	1	• Bearing	
13	3857087	1	• O-ring	
14	3852564	1	• Tube	
15	3852121	1	• Fitting	
16	3852559	1	• Block	
17	3852169	1	• O-ring	
18	3852141	1	• Stud	
19	3852193	1	• Washer	
20	3852005	1	• Nut	
21	3852548	1	• Sealing	
22	3853807	1	• Bearing	
23	3856093	1	Spindle arm	
24	3852554	1	Washer	
25	3852540	1	Washer	
26	3853626	1	Screw	
27	3856985	1	Cover	
28	3857146	4	Flange screw	
29	3857652	1	Decal	
30	3856726	2	Bolt	
31	3852573	2	Washer	
32	3852852	2	Gasket	
33	3858194	1	Bracket	
34	3852151	5	Hexagon screw	
35	(3852155)	5	Washer	Obsolete part
36	873395	2	Zinc electrode	
	3863480	2	Magnesium anode	
37	959421	4	Screw	
38	3856800	1	Hose	
39	3852537	1	O-ring	
40	3858631	1	Sealing kit	

SX-M, SX-MACLT

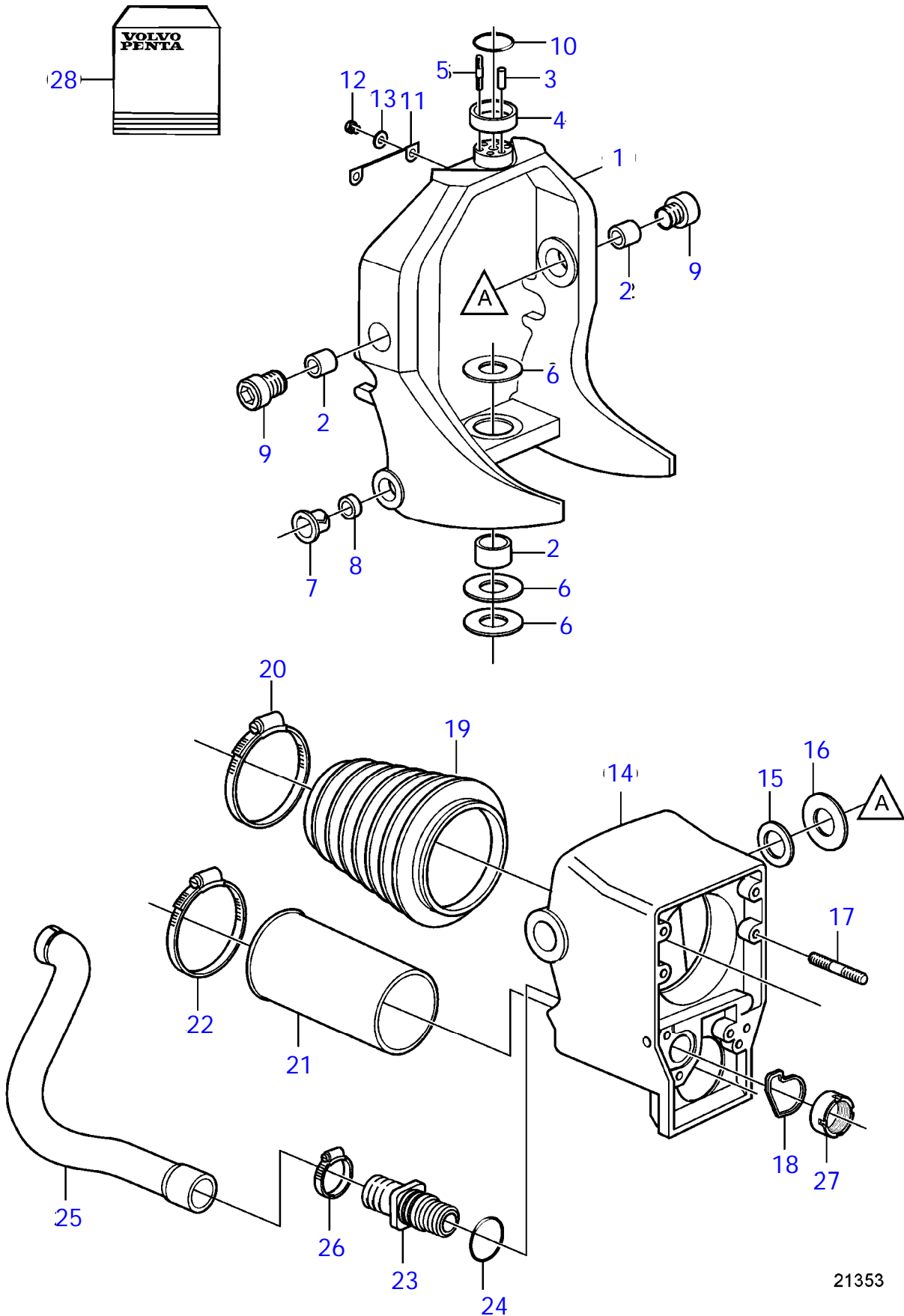


21352

SX-M, SX-MACLT

REF	PART NO.	QTY	DESCRIPTION	SEE SEC.	NOTES
1	3808365	1	Ring		
2	3808228	3	• Bearing bushing		
3	3852545	2	• Dowel		
4	3852571	1	• Sleeve		
5	3852588	4	• Stud		
6	3852557	3	Washer		
7	3853423	2	Bushing		
8	3853424	2	Grommet		
9	3852316	2	Screw		
10	3852044	1	O-ring		
11	3857347	1	Ground cable		
12	3852050	2	Screw		
13	3852193	2	Washer		
14	3807964	1	Housing		
15	3852697	2	• Washer		
16	3852558	2	• Washer		
17	3852551	6	• Stud		
18	3852560	1	• Sealing		
19	3841481	1	Bellows kit		
20	3852604	1	• Hose clamp		
21	3850426	1	Bellows		
			• Bulletin P-44-1-20	P-44-1-20-EN	Exhaust Bellows, problems with aftermarket parts
22	3852665	1	Retainer		
23	3852603	1	Hose clamp		
24	3807819	1	Nipple		
25	983513	1	O-ring		
26	3807890	1	Hose		
27	3852602	1	Hose clamp		
28	3807821	1	Nut		
29	3858631	1	Sealing kit		

SX-MBAC

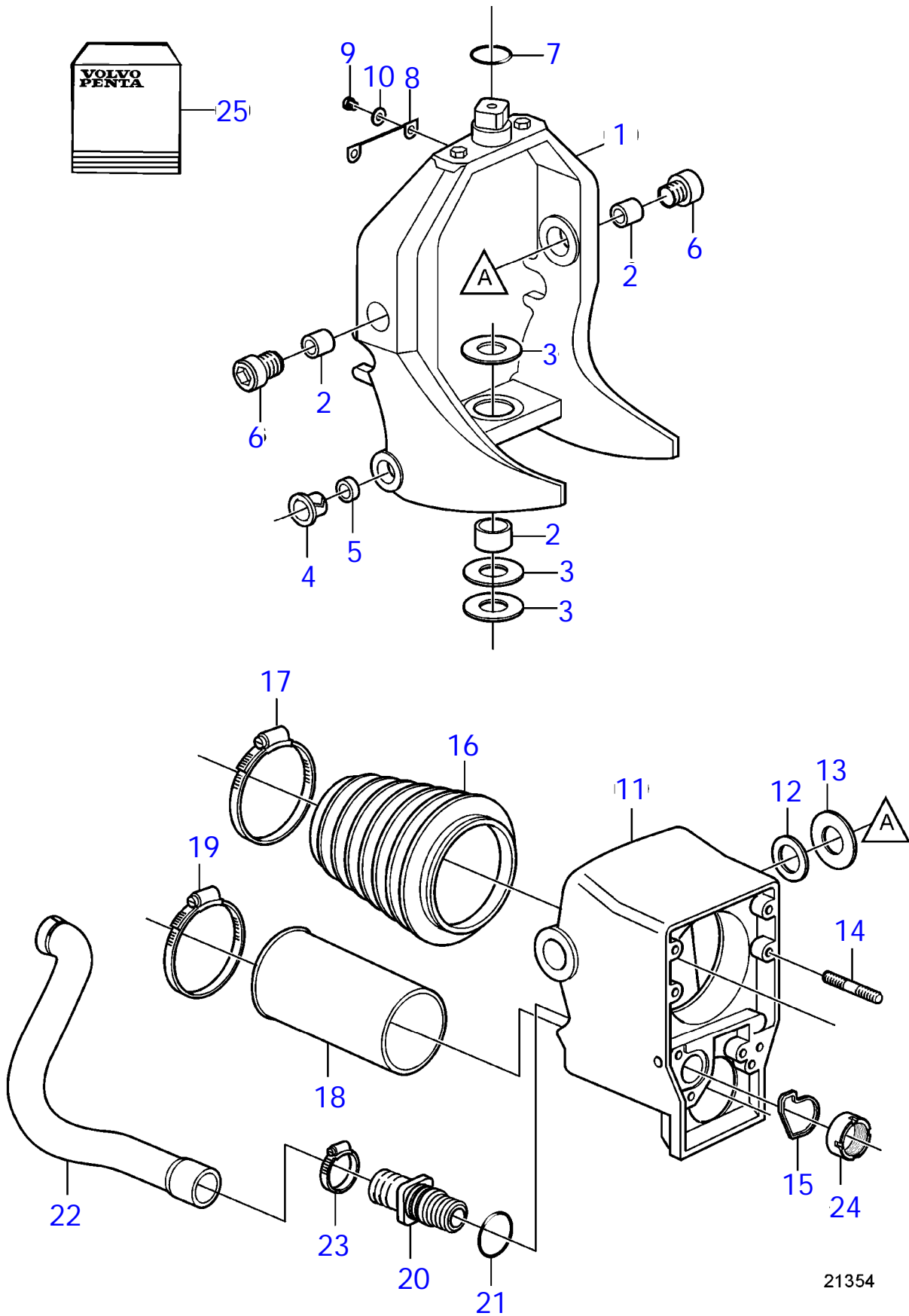


21353

SX-MBAC

REF	PART NO.	QTY	DESCRIPTION
1	3808365	1	Ring
2	3808228	3	• Bearing bushing
3	3852545	2	• Dowel
4	3852571	1	• Sleeve
5	3852588	4	• Stud
6	3852557	3	Washer
7	3853423	2	Bushing
8	3853424	2	Grommet
9	3852316	2	Screw
10	3852044	1	O-ring
11	3857347	1	Ground cable
12	3852050	2	Screw
13	3852193	2	Washer
14	3807964	1	Housing
15	3852697	2	• Washer
16	3852558	2	• Washer
17	3852551	6	• Stud
18	3852560	1	• Sealing
19	3841481	1	Bellows kit
20	3852604	1	• Hose clamp
21	3587641	1	Bellows
22	3852603	1	Hose clamp
23	3807819	1	Nipple
24	983513	1	O-ring
25	3807890	1	Hose
26	3852602	1	Hose clamp
27	3807821	1	Nut
28	3858631	1	Sealing kit

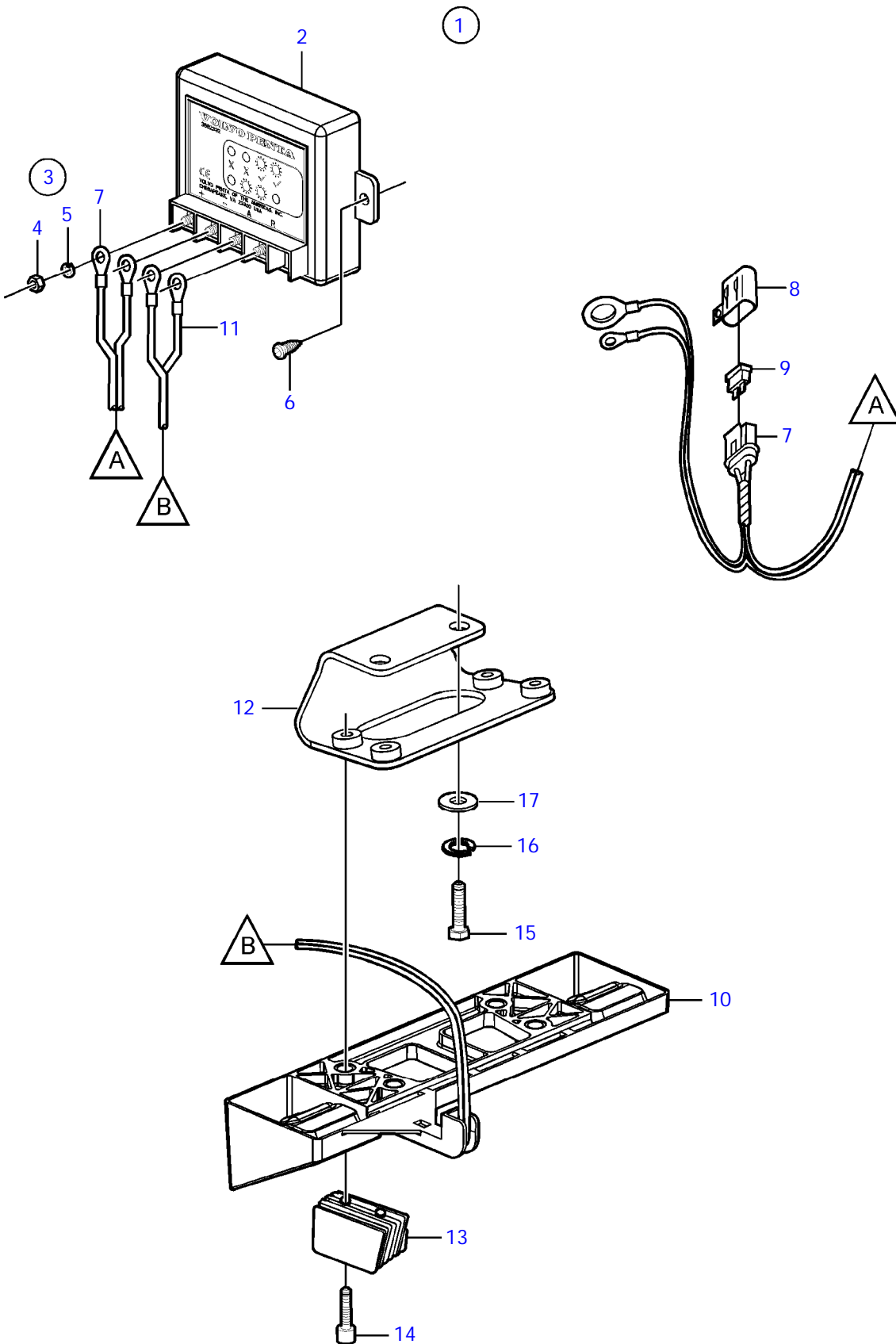
SX-MHP



SX-MHP

REF	PART NO.	QTY	DESCRIPTION
1	3808368	1	Ring
2	3808228	3	• Bearing bushing
3	3852557	3	Washer
4	3853423	2	Bushing
5	3853424	2	Grommet
6	3852316	2	Screw
7	3852044	1	O-ring
8	3857347	1	Ground cable
9	3852050	2	Screw
10	3852193	2	Washer
11	3807964	1	Housing
12	3852697	2	• Washer
13	3852558	2	• Washer
14	3852551	6	• Stud
15	3852560	1	• Sealing
16	3841481	1	Bellows kit
17	3852604	1	• Hose clamp
18	3587641	1	Bellows
19	3852603	1	Hose clamp
20	3807819	1	Nipple
21	983513	1	O-ring
22	3807890	1	Hose
23	3852602	1	Hose clamp
24	3807821	1	Nut
25	3858631	1	Sealing kit

SX-M, SX-MACLT

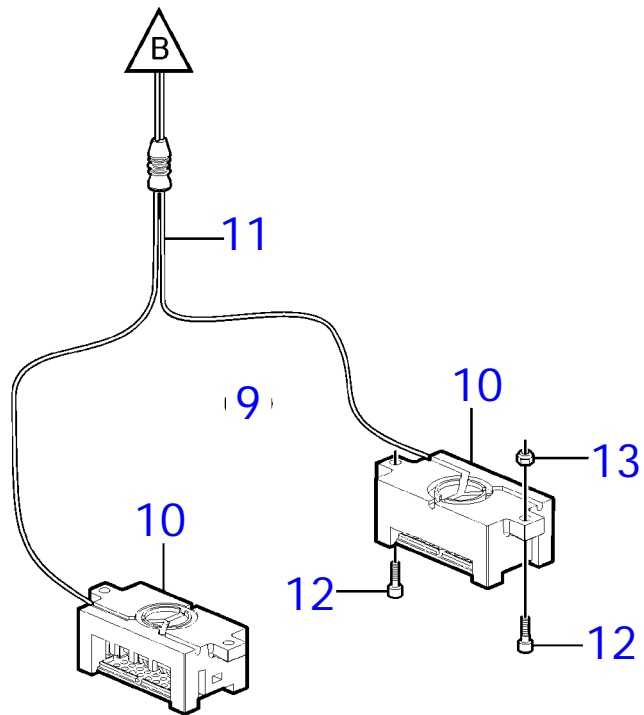
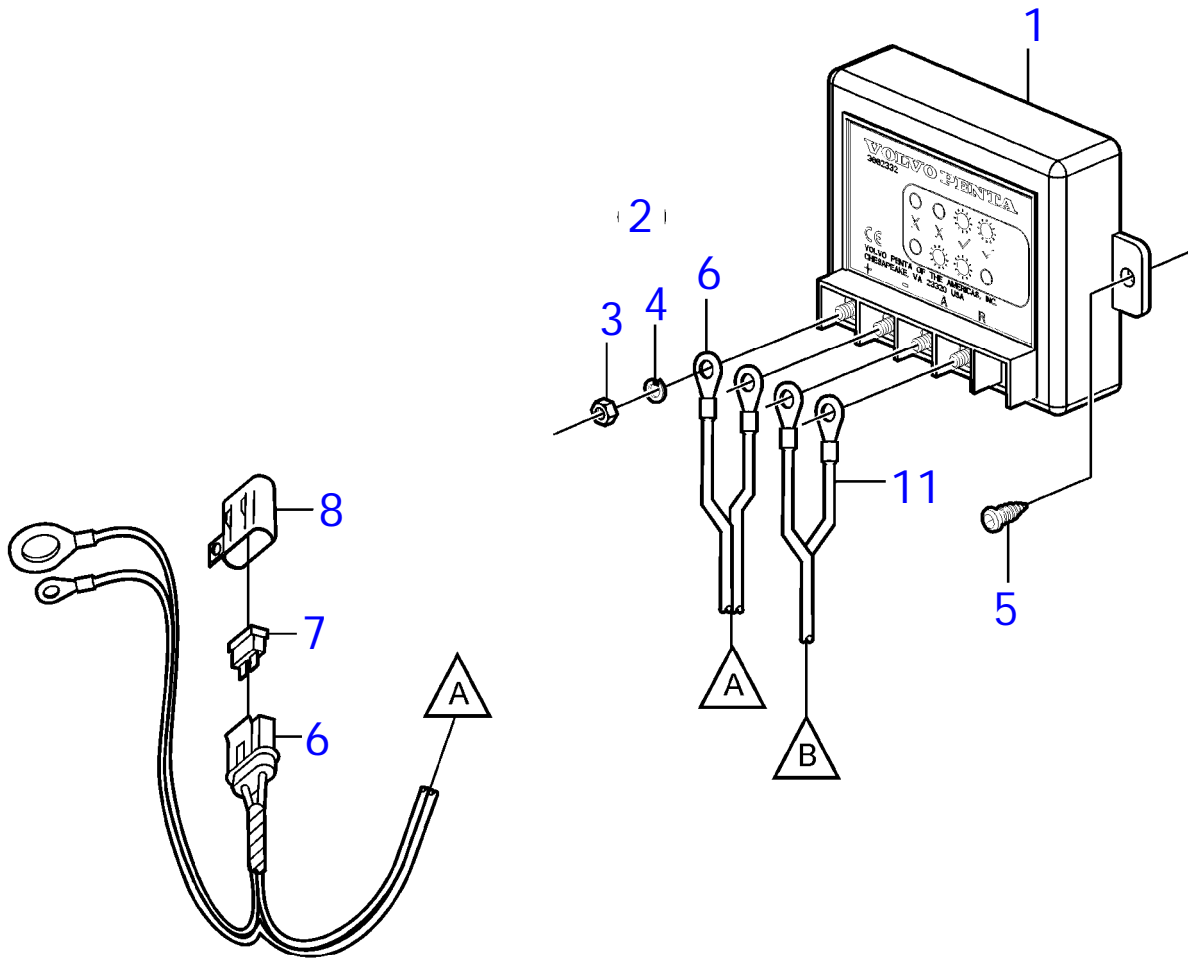


19615

SX-M, SX-MACLT

REF	PART NO.	QTY	DESCRIPTION	NOTES
1	3862472	1	Kit	
2	3862332	1	• Electronic unit	
3	3856632	1	• Small parts kit	
4	940119	4	• • Hexagon nut	
5		4	• • Lock washer	
6		2	• • Screw	
7	3855793	1	• Wiring harness	
8	8072808	1	• Cover	
9	983966	1	• Fuse	1 amp
10	3862337	1	• Sensor	
11		1	• Wire	
12	3863309	1	• Bracket	
13	873395	2	• Zinc electrode	
14	959422	4	• Hex. socket screw	
15	3852192	2	Hexagon screw	
16	3852061	2	Washer	
17	(3852191)	2	Washer	Obsolete part

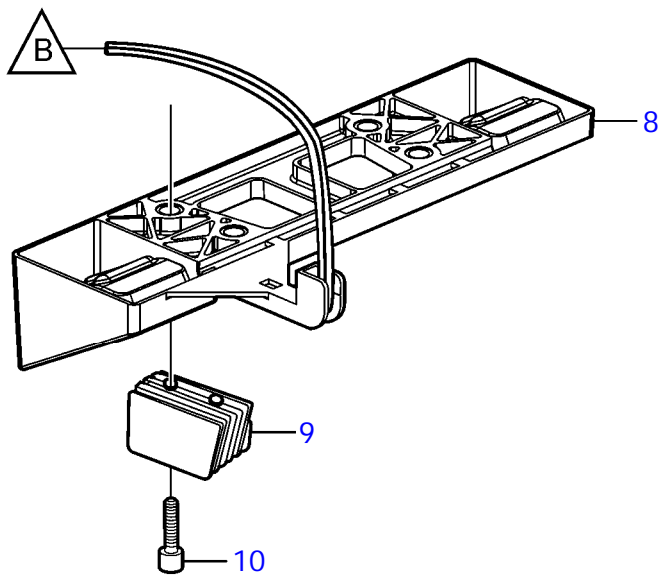
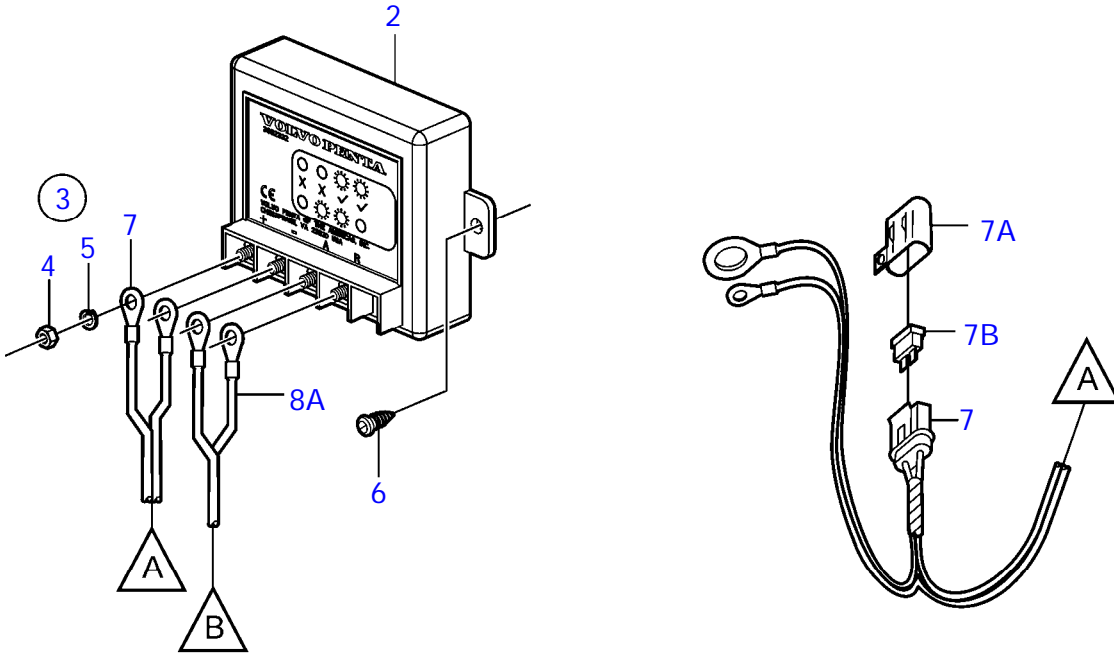
SX-MACLT, SX-MBAC



SX-MACLT, SX-MBAC

REF	PART NO.	QTY	DESCRIPTION	NOTES
1	3862332	1	Electronic unit	
2	3817349	1	Kit	
3	940119	4	• Hexagon nut	
4		4	• Lock washer	
5		2	• Screw	
6	3855793	1	Wiring harness	
7	8072808	1	• Cover	
8	983966	1	• Fuse	1 amp
9	3587782	1	Electronic unit	
10		2	• Sensor	
11		1	• Wire	
12	959403	4	Hex. socket screw	
13	990196	2	Nut	

1

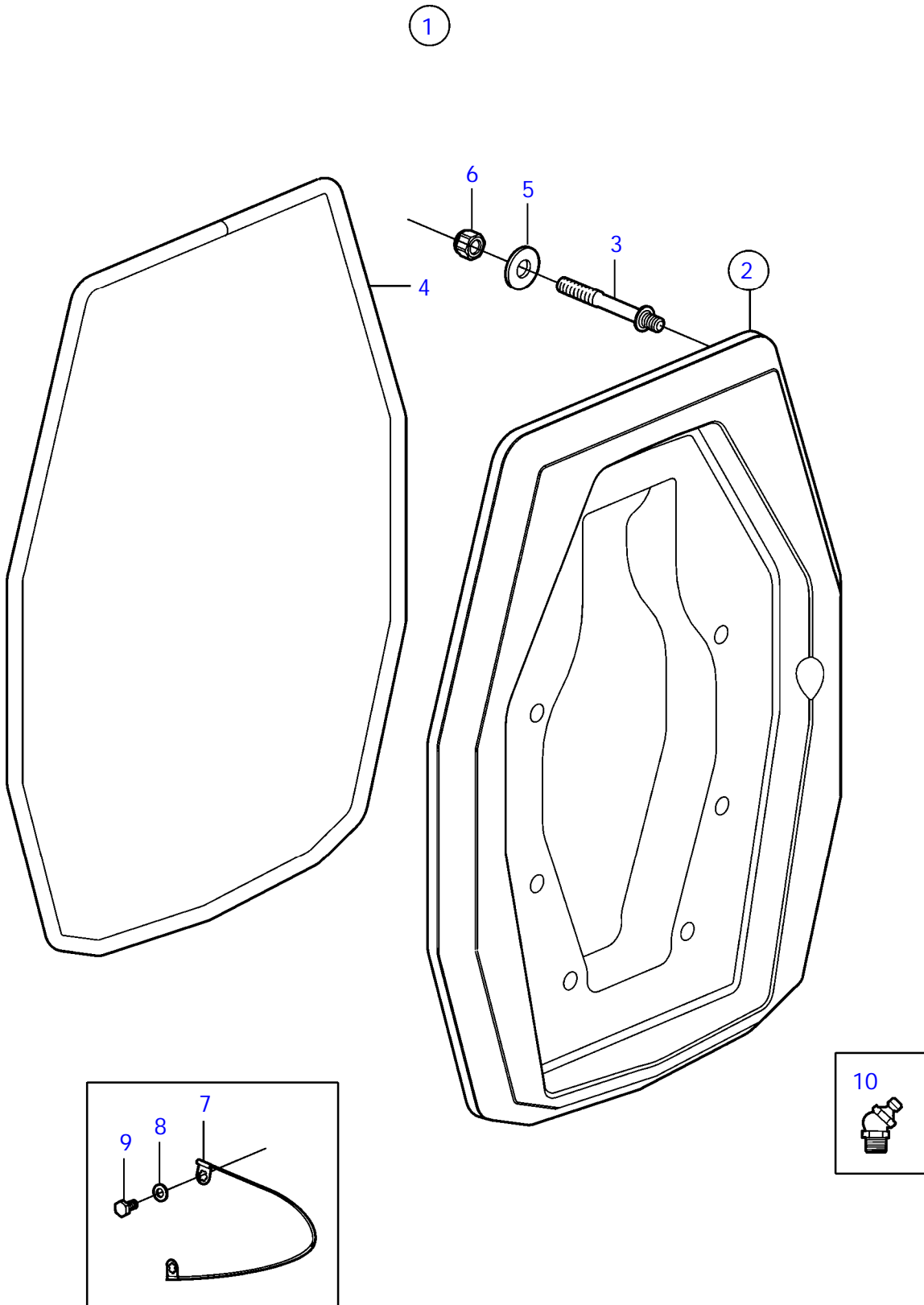


19740

SX-MHP

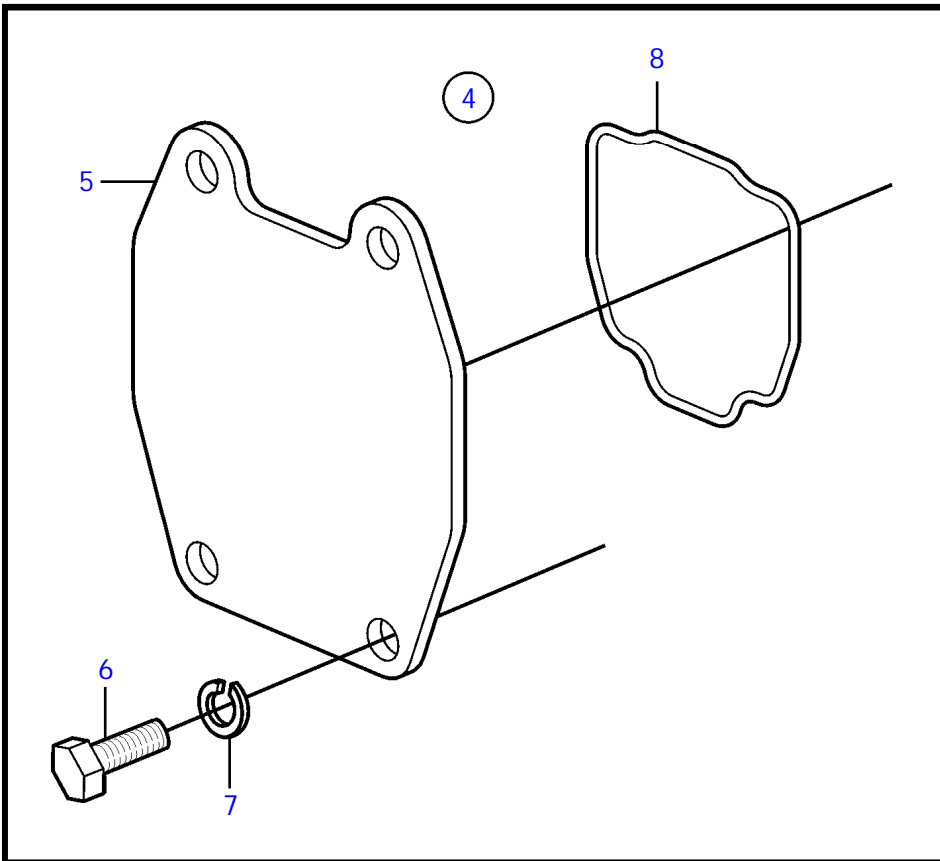
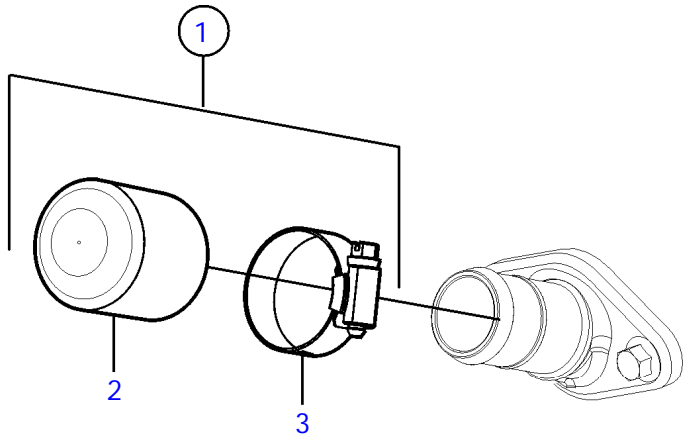
REF	PART NO.	QTY	DESCRIPTION	NOTES
1	3862471	1	Kit	
2	3862332	1	• Electronic unit	
3	3856632	1	• Small parts kit	
4	940119	4	• • Hexagon nut	
5		4	• • Lock washer	
6		2	• • Screw	
7	3855793	1	• Wiring harness	
7A	8072808	1	• • Cover	
7B	983966	1	• • Fuse	1 amp
8	3862337	1	• Sensor	
8A		1	• • Wire	
9	873395	2	Zinc electrode	
10	959422	4	Hex. socket screw	

SX-M



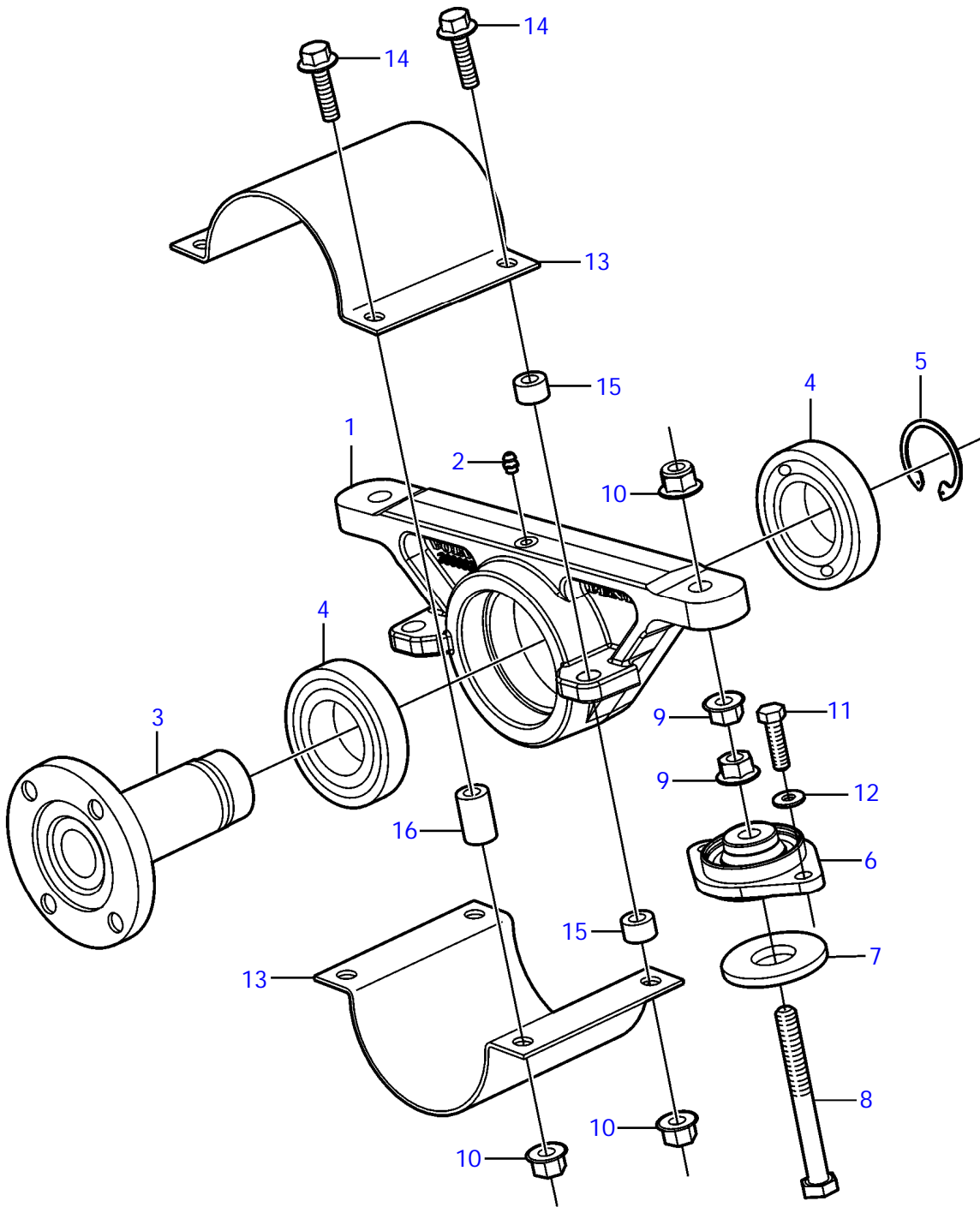
19613

SX-M, SX-MACLT, SX-MBAC, SX-MHP



22305

SX-M, SX-MACLT, SX-MBAC, SX-MHP

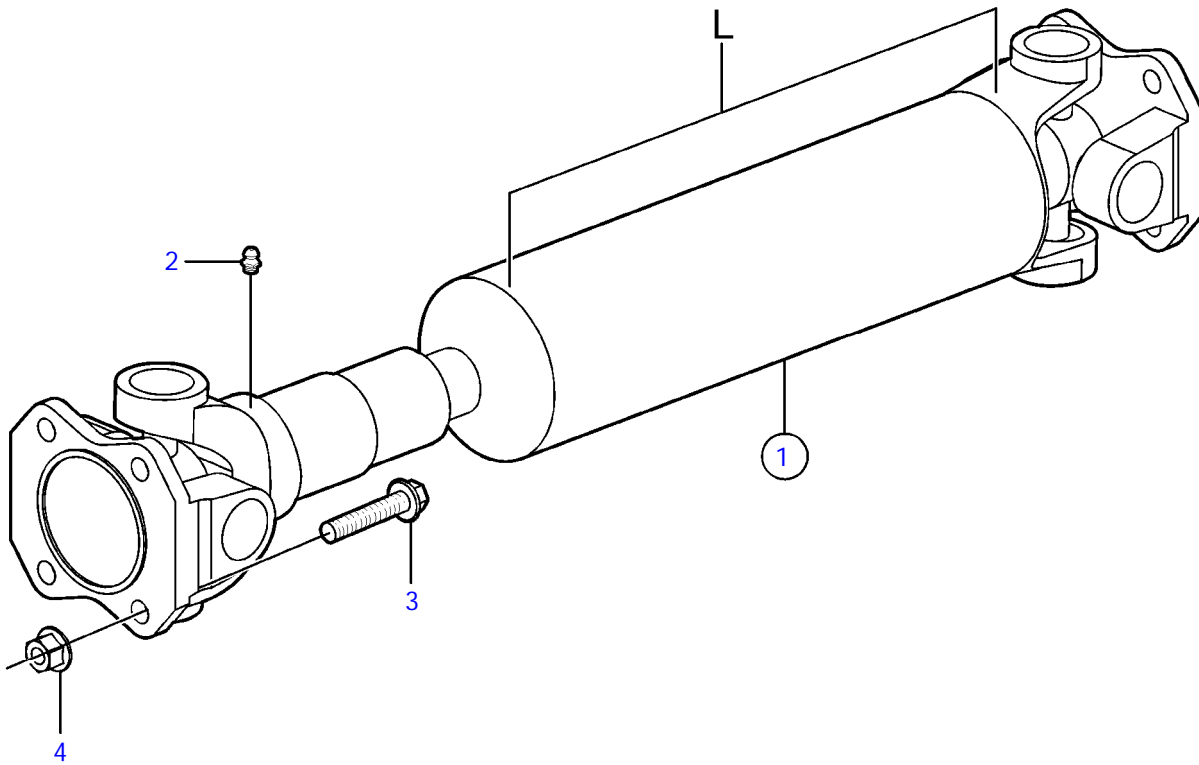


19629

SX-M, SX-MACLT, SX-MBAC, SX-MHP

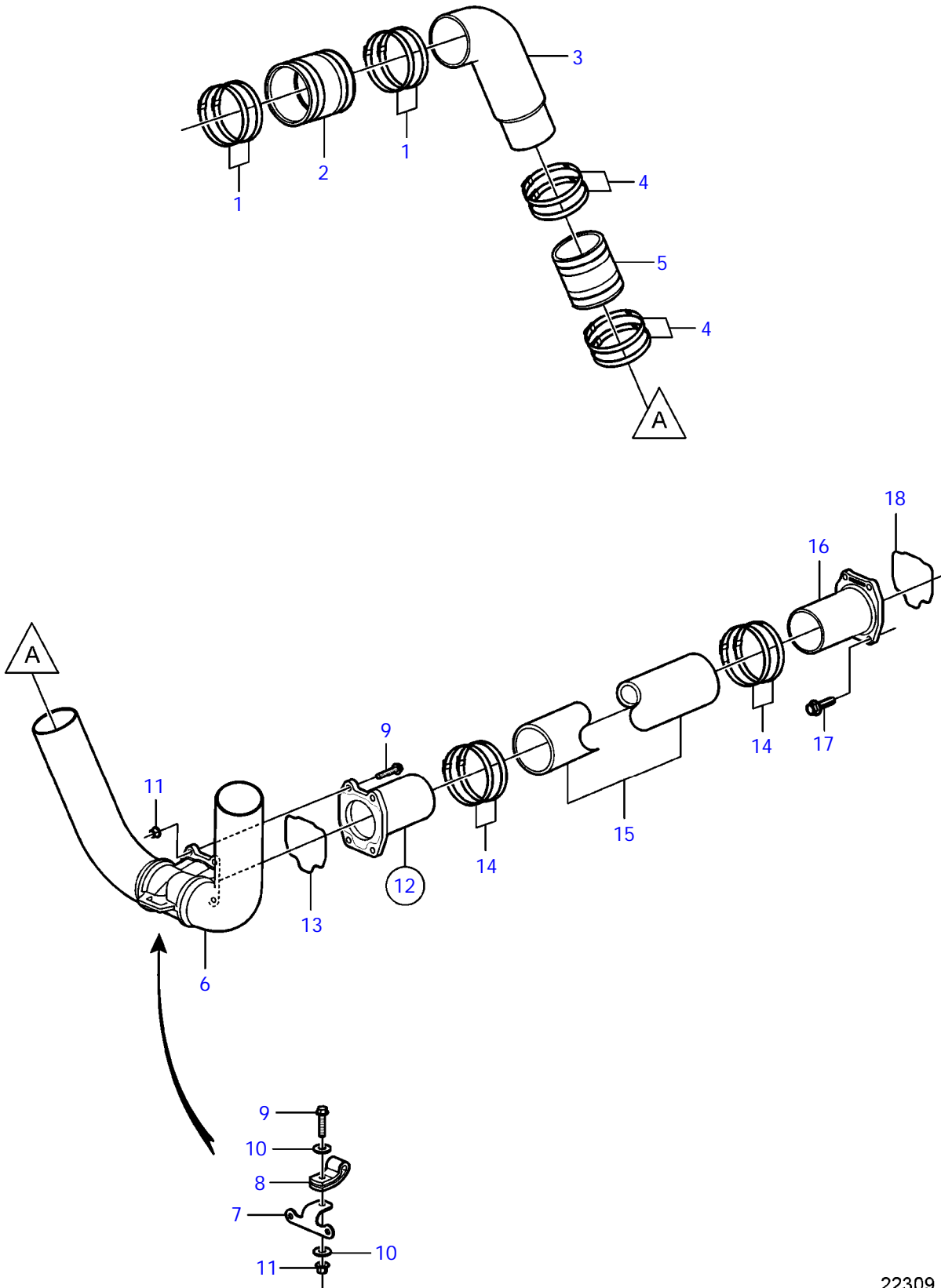
REF	PART NO.	QTY	DESCRIPTION	NOTES
1	3860837	1	Bearing housing	
2	3852121	1	Fitting	
3	3862697	1	Shaft	
4	184867	2	Bearing	
5	914470	1	Snap ring	
6	3853806	2	Rubber cushion	
7	3852542	2	Washer	
8	980362	2	Hexagon screw	
9	971096	4	Flange nut	
10	977938	6	Flange lock nut	
11	959968	4	Hexagon screw	
12	(3852155)	4	Washer	Obsolete part
13	3817552	2	Cover	
14	948039	4	Flange screw	
15	983740	4	Spacer sleeve	
16	983741	2	Spacer sleeve	

SX-M, SX-MACLT, SX-MBAC, SX-MHP



20839

SX-M, SX-MACLT

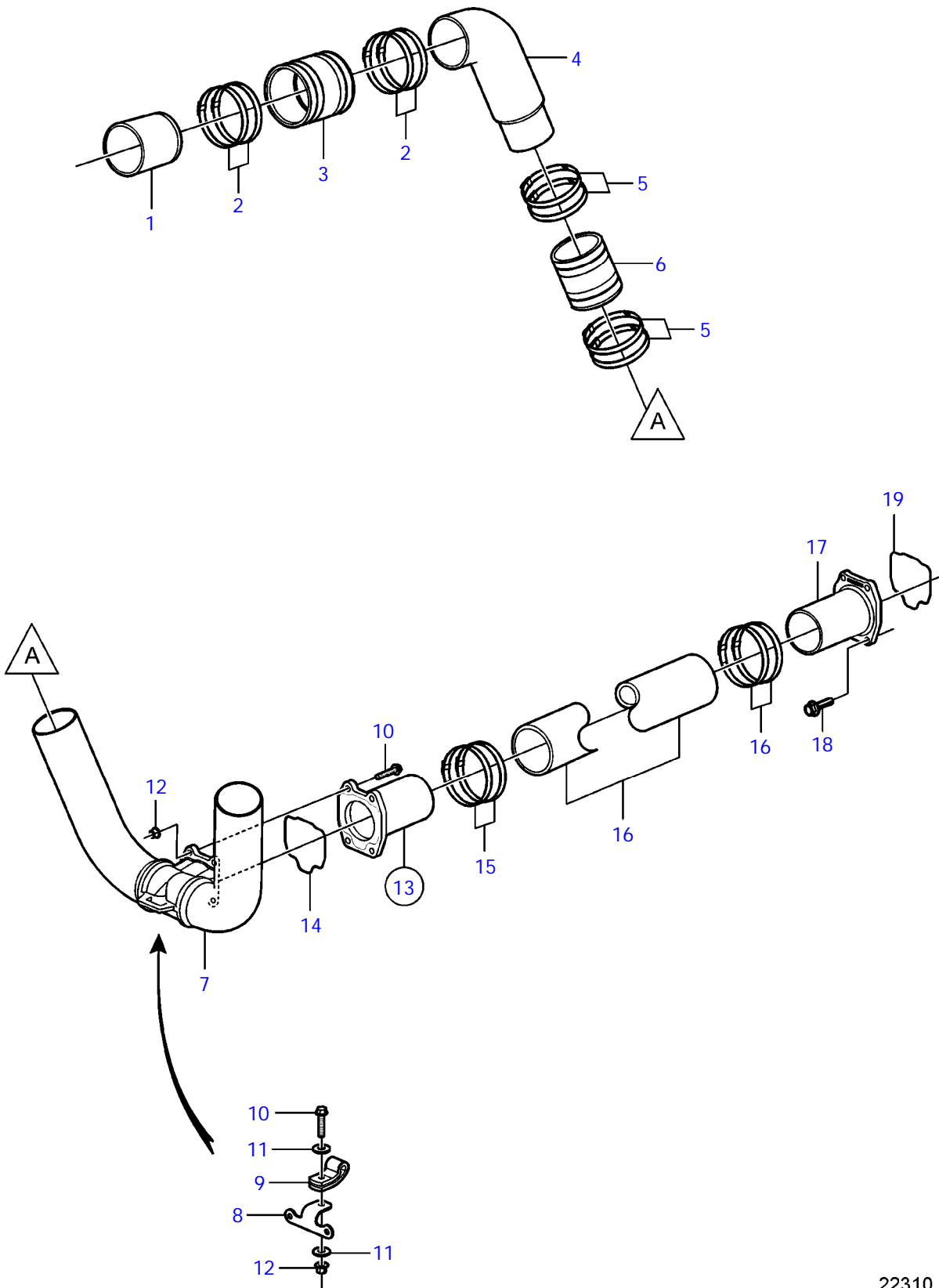


22309

SX-M, SX-MACLT

REF	PART NO.	QTY	DESCRIPTION	NOTES
1	3863443	8	Hose clamp	
2	3852696	1	Hose	
3	3863189	2	Elbow	
4	3863442	8	Hose clamp	
5	3852742	2	Hose	
6	3860821	1	Exhaust pipe	
7	(3862519)	1	Bracket	Obsolete part
8	(3862518)	1	Strap	Obsolete part
9	965220	5	Flange screw	
10	944633	2	Washer	
11	971098	5	Flange lock nut	
12	3862895	1	Tube	
13	3587651	1	• Kit	
14	853012	4	Hose clamp	
15	3862564	1	Hose, exhaust	Cut to length
16	3862506	1	Exhaust pipe flange	
17	3841928	4	Flange screw	3/8" UNC
	946752	4	Flange screw	M10
18	3587651	1	Kit	

SX-M, SX-MACLT, SX-MBAC, SX-MHP

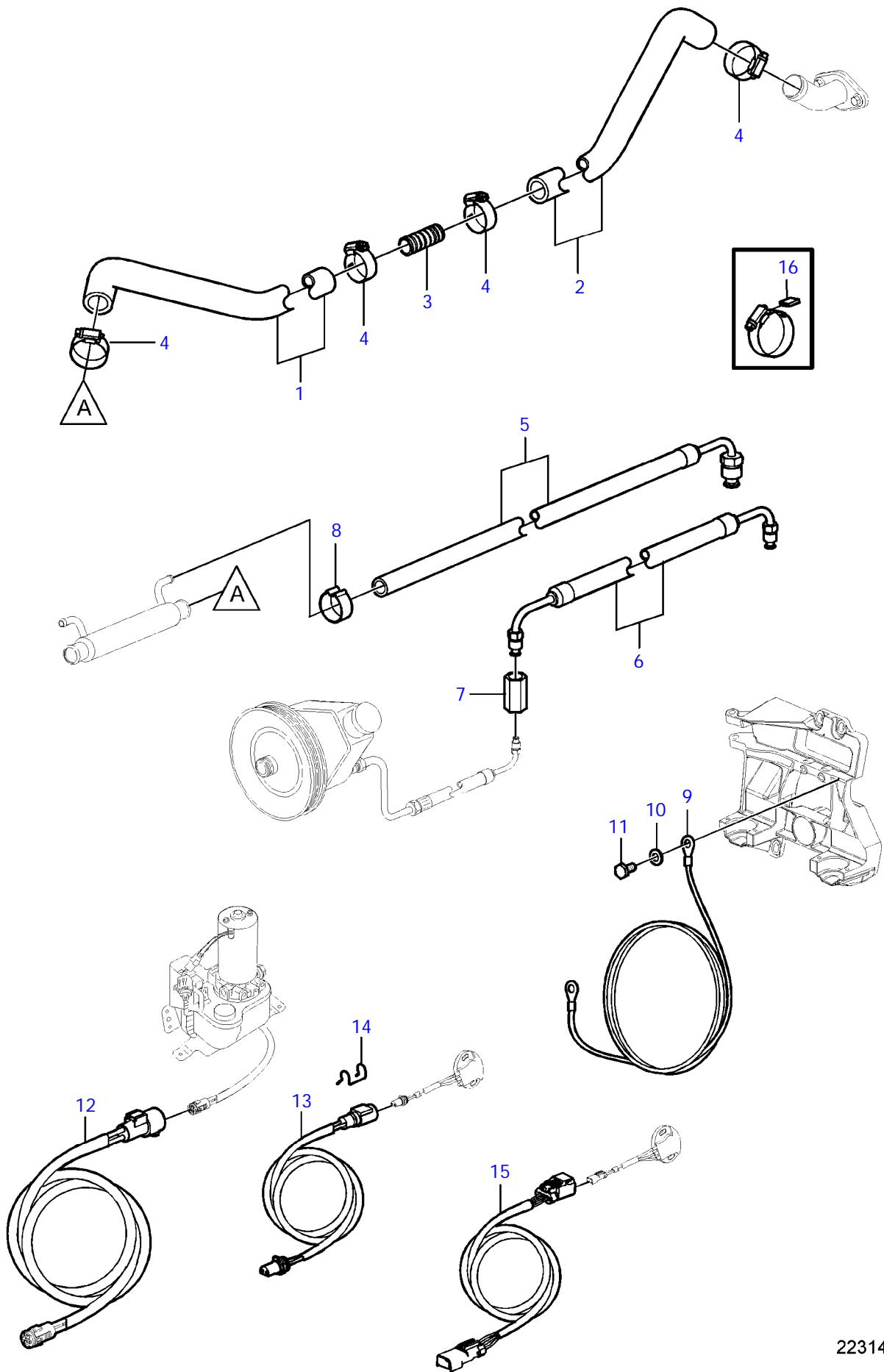


22310

SX-M, SX-MACLT, SX-MBAC, SX-MHP

REF	PART NO.	QTY	DESCRIPTION	NOTES
1	3862841	2	Pipe	
2	3863443	8	Hose clamp	
3	3852696	1	Hose	
4	3863189	2	Elbow	
5	3863442	8	Hose clamp	
6	3863450	2	Bellows	
7	3860821	1	Exhaust pipe	
8	(3862519)	1	Bracket	Obsolete part
9	(3862518)	1	Strap	Obsolete part
10	965220	5	Flange screw	
11	944633	2	Washer	
12	971098	5	Flange lock nut	
13	3862895	1	Tube	
14	3587651	1	• Kit	
15	853012	4	Hose clamp	
16	3862564	1	Hose, exhaust	Cut to length
17	3862506	1	Exhaust pipe flange	
18	3841928	4	Flange screw	3/8" UNC
	946752	4	Flange screw	M10
19	3587651	1	Kit	

SX-M, SX-MACLT, SX-MBAC, SX-MHP

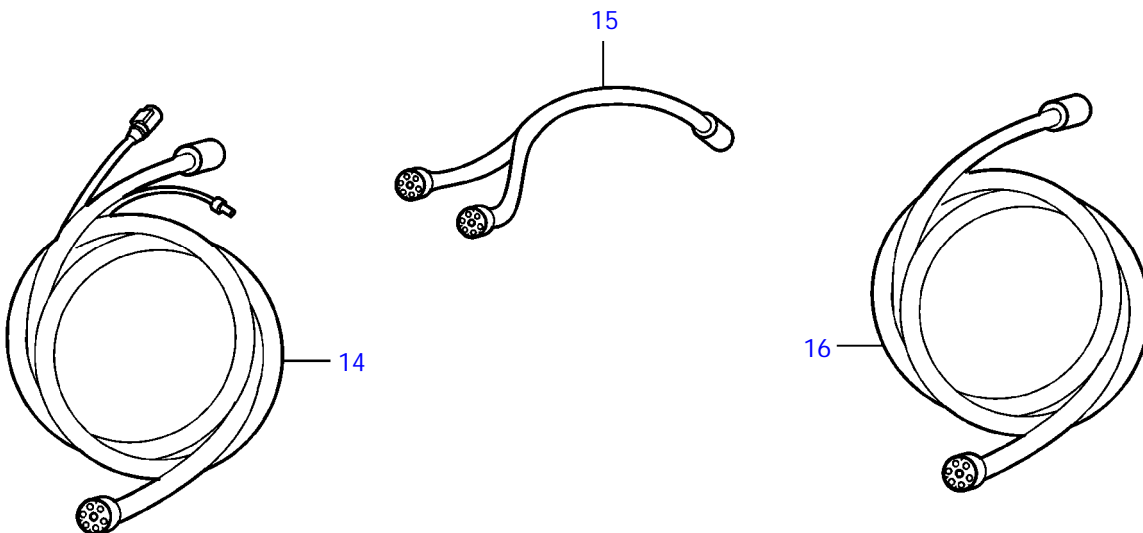
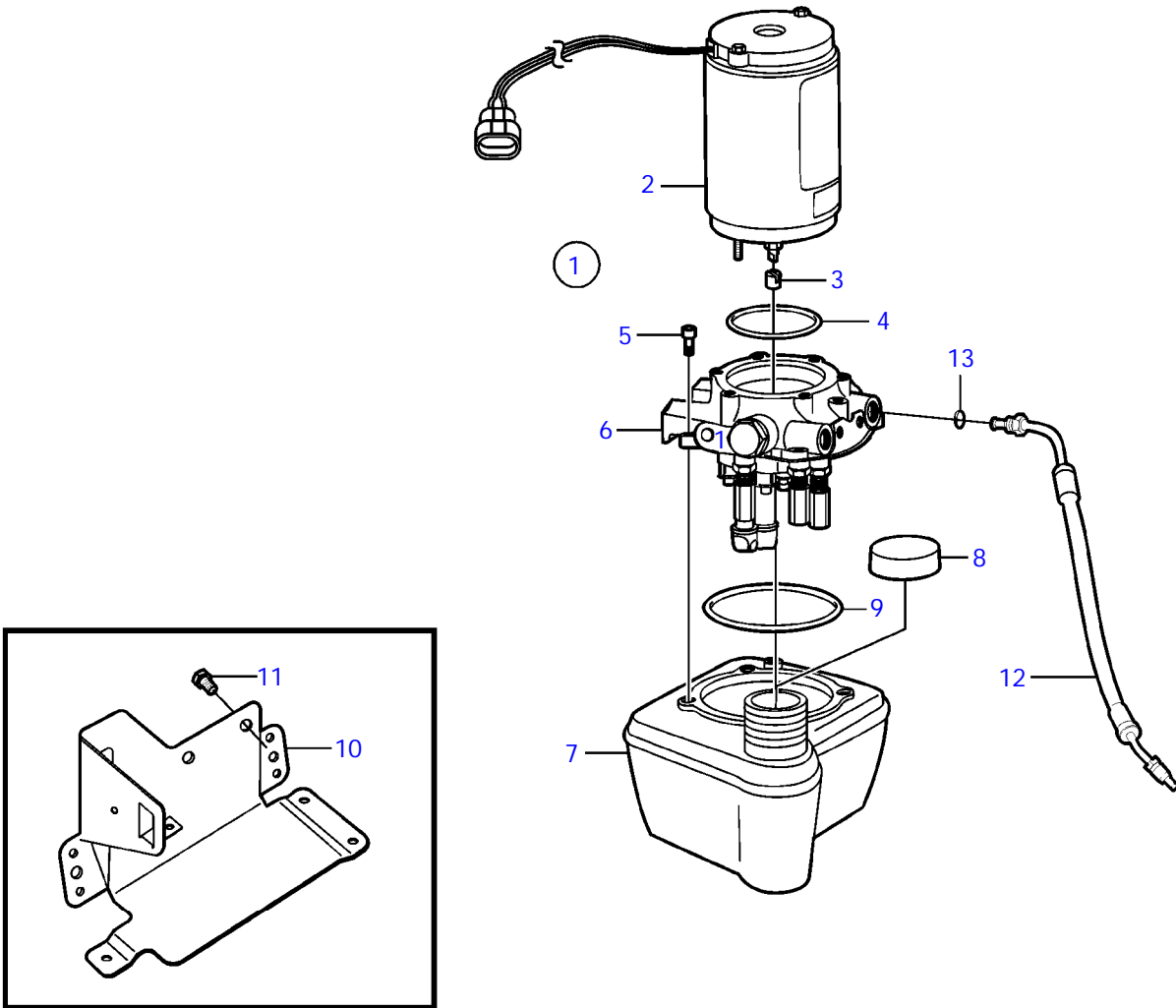


22314

SX-M, SX-MACLT, SX-MBAC, SX-MHP

REF	PART NO.	QTY	DESCRIPTION	NOTES
1	3860824	1	Hose	Cut to length
2	3843007	1	Hose	Cut to length
3	3851594	1	Connection pipe	
4	3852602	4	Hose clamp	
5	3860830	1	Hose, return	
6	3860831	1	Hose, pressure	
7	3862511	1	Fitting	
8	982663	1	Hose clamp	
9	(3862894)	1	Cable, ground	Obsolete part, L=3050mm
10	3852193	1	Washer	
11	3852050	1	Screw	
12	3842400	1	Wiring harness	Trim pump
13	3860839	1	Extension cable'verl	Trim sender, molded connector
14	(3852237)	1	Retainer	Obsolete part
15	3886946	1	Wiring harness	Trim sender, FCI connector
16	3858532	X	Cover, clamp	

SX-M, SX-MACLT, SX-MBAC, SX-MHP

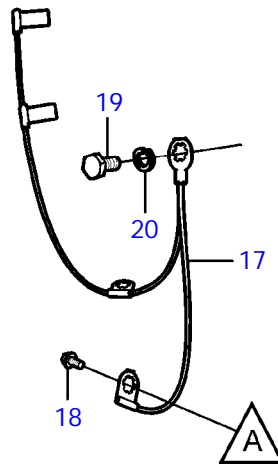
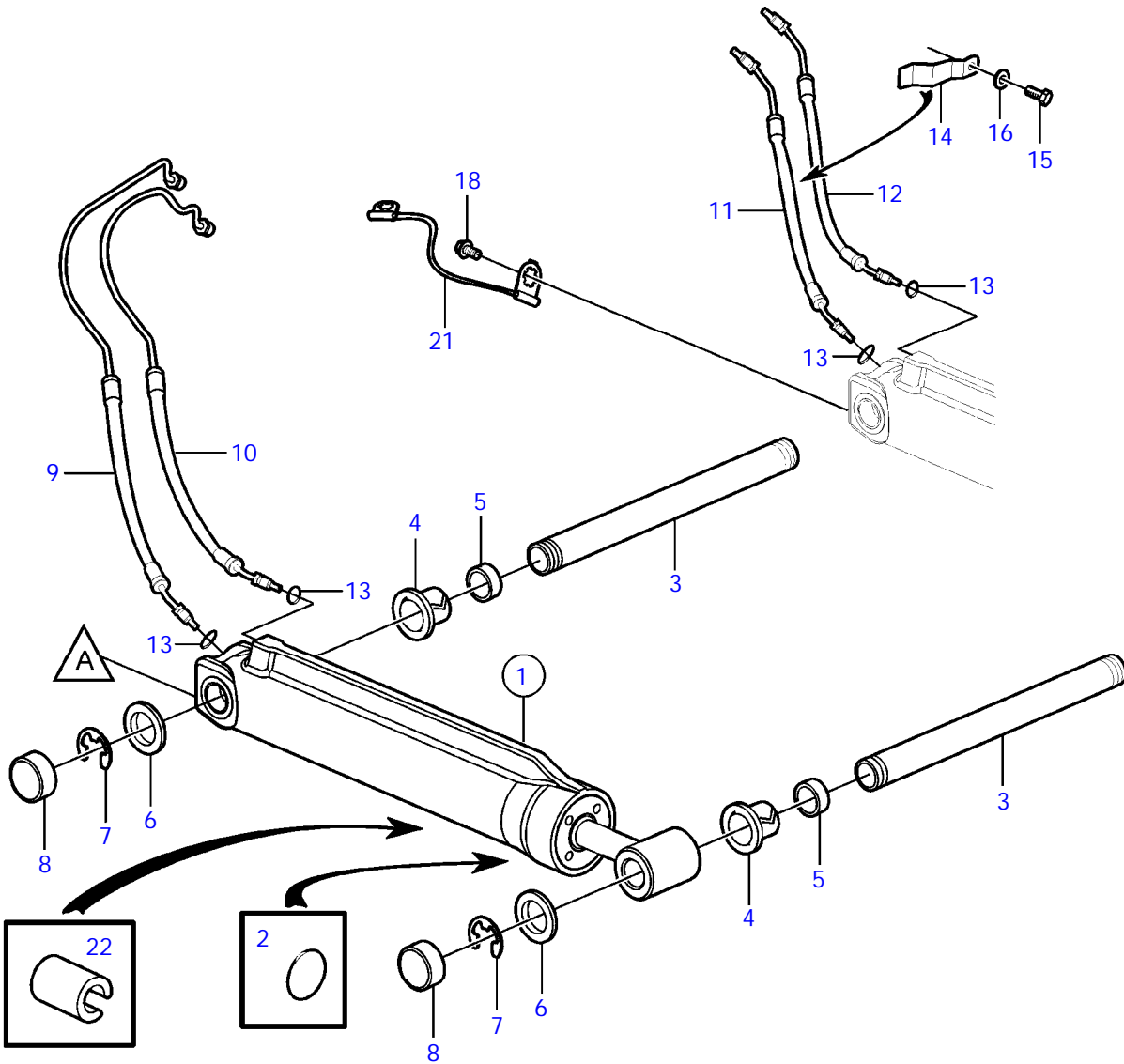


22311

SX-M, SX-MACLT, SX-MBAC, SX-MHP

REF	PART NO.	QTY	DESCRIPTION	NOTES
1	3819846	1	Trimmer valve, trim	
2	3861575	1	• Electrical motor	
3	3861577	1	• Connector	
4	3861578	1	• O-ring	
5	3861574	4	• Screw	
6		1	• Valve body	Not sold separately
7	3861570	1	• Reservoir	
8	3861572	1	• • Cardboard tube	
9	3861573	1	• • O-ring	
10	3858083	1	• Bracket	
11	971017	2	• Hexagon screw	
12	3853825	2	Hydraulic hose	
13	3852165	4	O-ring	
14	3855709	1	Wiring harness, trim	5m
	3855708	1	Wiring harness, trim	7m
15	3855712	1	Wiring harness, trim	Y
16	3855710	1	Wiring harness, trim	3m
	3855711	1	Wiring harness, trim	5m

SX-M, SX-MBAC, SX-MHP

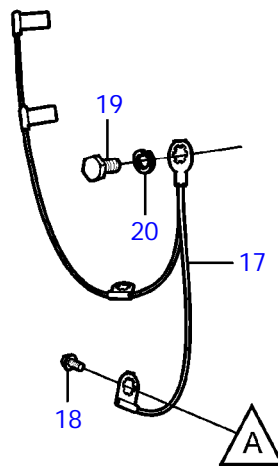
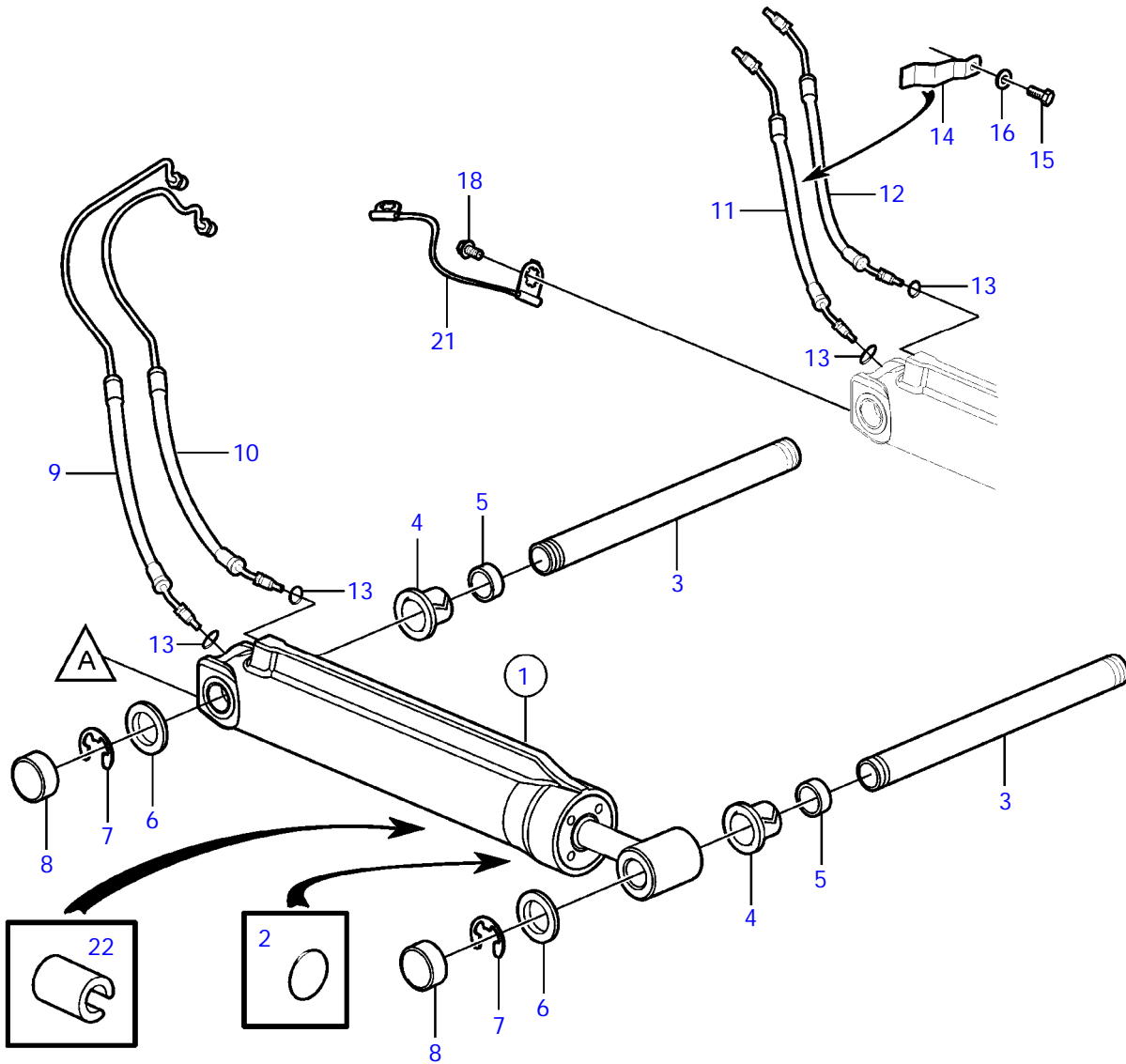


22313

SX-M, SX-MBAC, SX-MHP

REF	PART NO.	QTY	DESCRIPTION	NOTES
1	3857470	2	Cylinder	
2	888864	2	• Sealing washer	
3	3857431	2	Pivot pin	
4	3853423	4	Bushing	
5	3853424	4	Grommet	
6	3857588	4	Washer	
7	3857521	4	E-circlip	
8	3857522	4	Cardboard tube	
9	3857523	1	Oil line	
10	3853857	1	Oil line	
11	3857524	1	Oil line	
12	3853855	1	Oil line	
13	3852165	12	O-ring	
14	(3852354)	2	Clamp	Obsolete part
15	3852201	2	Hexagon screw	
16	(3852191)	2	Washer	Obsolete part
17	3808078	1	Strap	
18	3852568	2	Screw	
19	3852050	1	Screw	
20	3852193	1	Washer	
21	3853849	1	Chassie ground cable	
22	(3857589)	1	Trimming limiter	Obsolete part
		2	• Spacer	Not sold separately

SX-MACLT

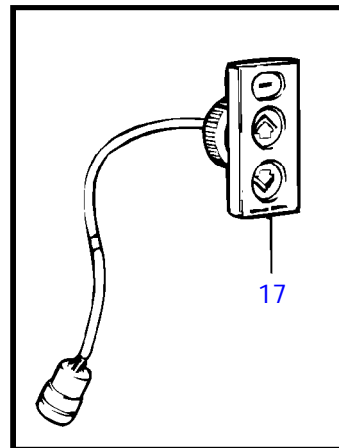
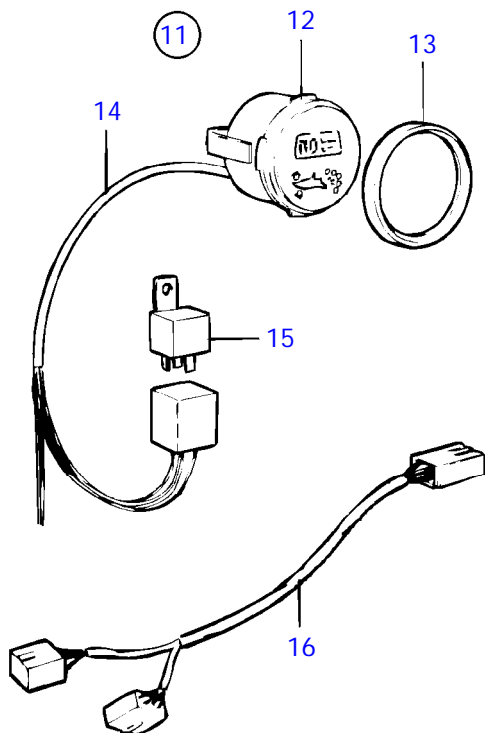
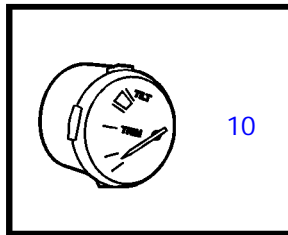
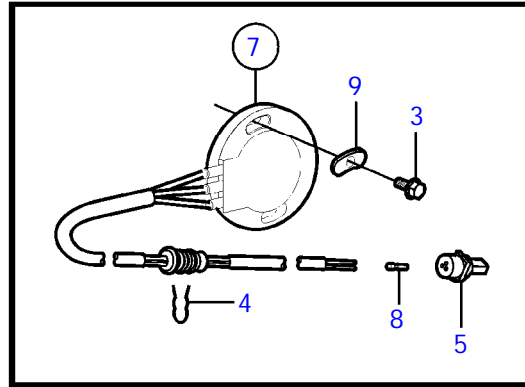
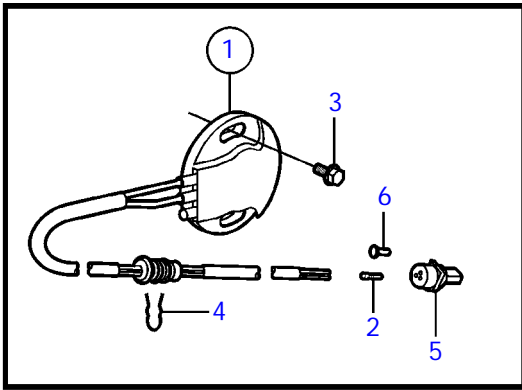


22313

SX-MACLT

REF	PART NO.	QTY	DESCRIPTION	NOTES
1	3857471	2	Cylinder	
2	888864	2	• Sealing washer	
3	3857431	2	Pivot pin	
4	3853423	4	Bushing	
5	3853424	4	Grommet	
6	3857588	4	Washer	
7	3857521	4	E-circlip	
8	3857522	4	Cardboard tube	
9	3857523	1	Oil line	
10	3853857	1	Oil line	
11	3857524	1	Oil line	
12	3853855	1	Oil line	
13	3852165	12	O-ring	
14	(3852354)	2	Clamp	Obsolete part
15	3852201	2	Hexagon screw	
16	(3852191)	2	Washer	Obsolete part
17	3808078	1	Strap	
18	3852568	2	Screw	
19	3852050	1	Screw	
20	3852193	1	Washer	
21	3853849	1	Chassie ground cable	
22	(3857589)	1	Trimming limiter	Obsolete part
		2	• Spacer	Not sold separately

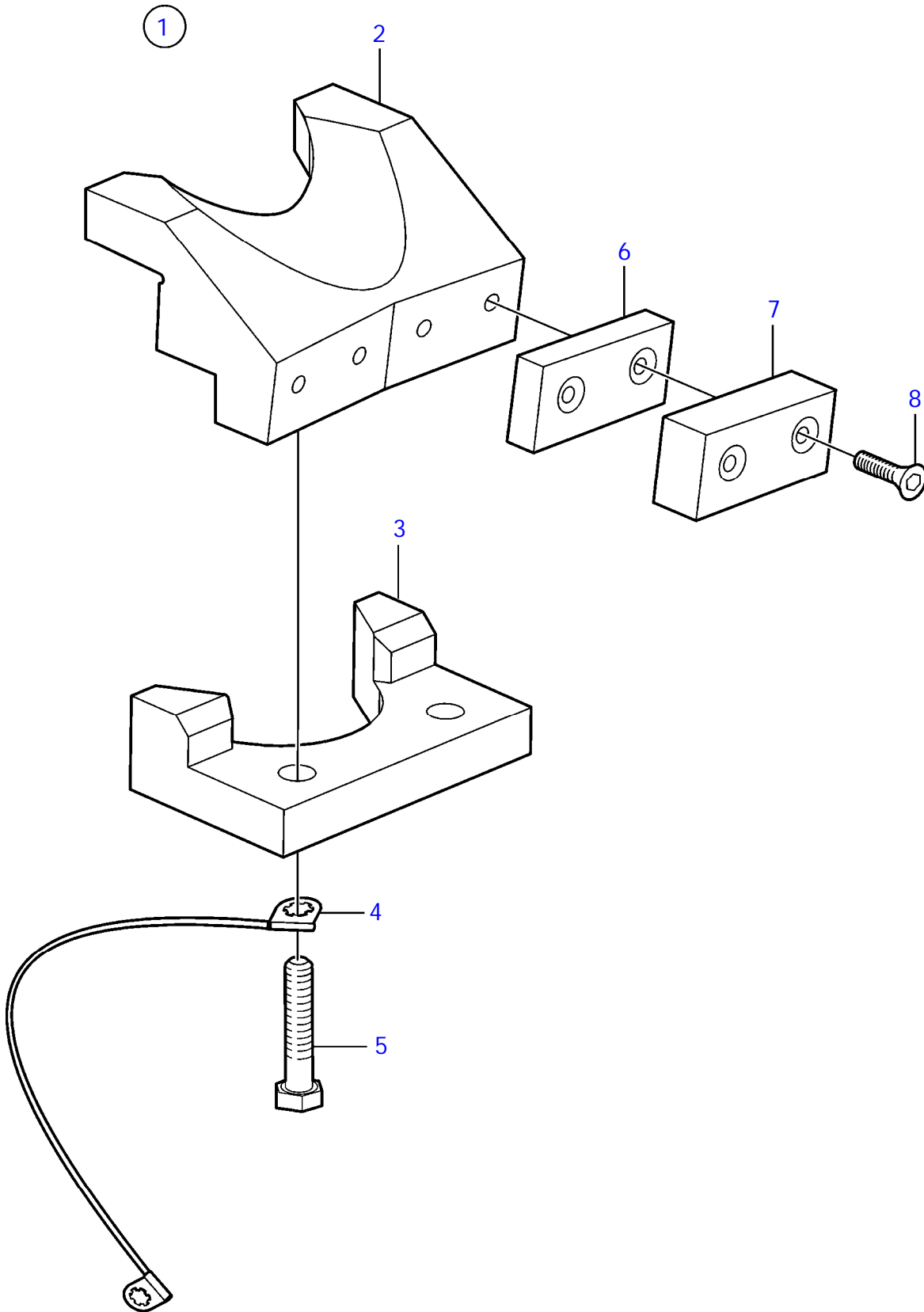
SX-M, SX-MACLT, SX-MBAC, SX-MHP



SX-M, SX-MACLT, SX-MBAC, SX-MHP

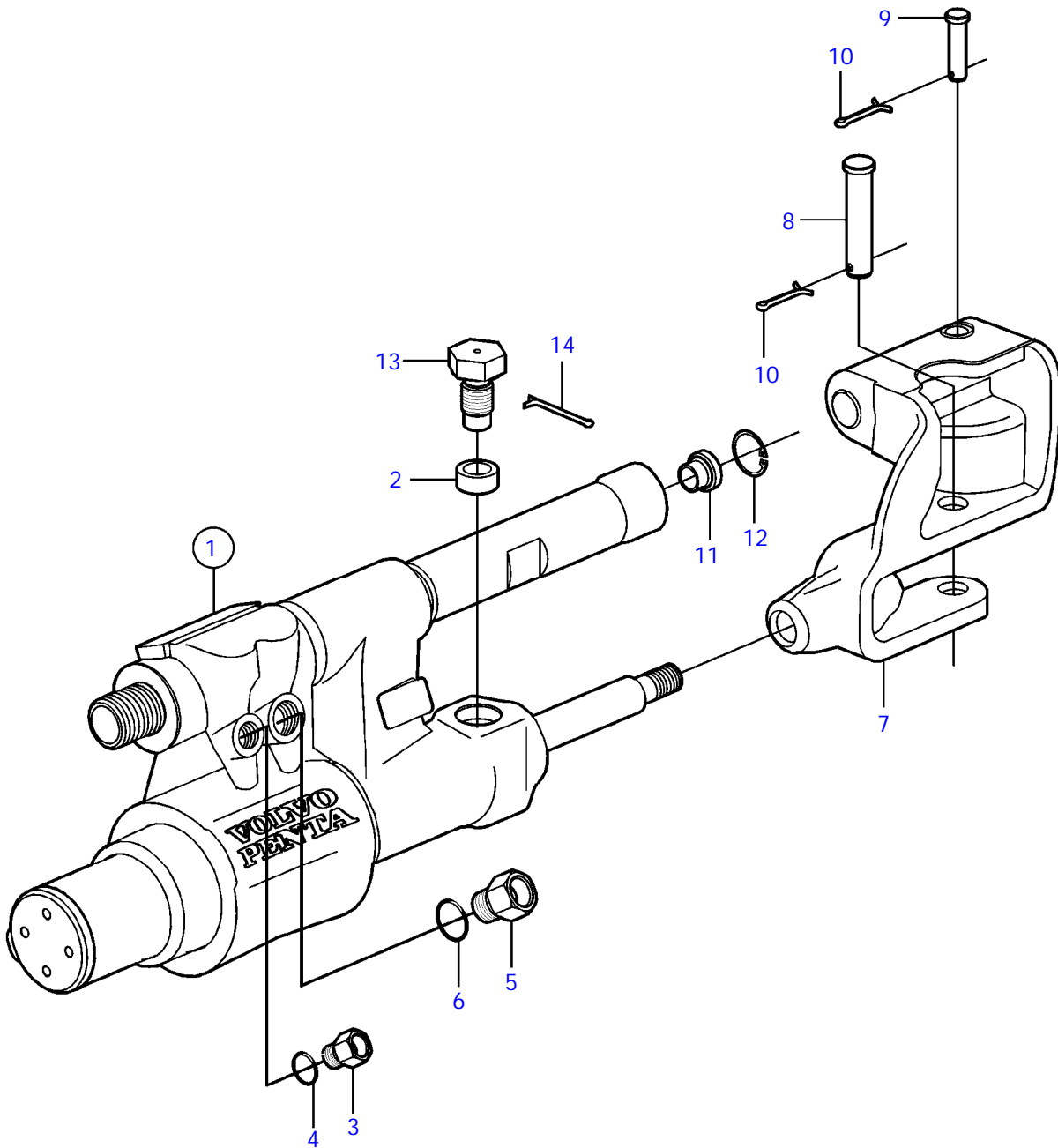
REF	PART NO.	QTY	DESCRIPTION	NOTES
1	3863129	1	Kit	
2	(3852257)	2	• Terminal	Obsolete part
3	3852081	2	Screw	
4	3852555	1	Retainer	
5	3852239	1	Pin connector	
6	(3852230)	1	Plug	Obsolete part
7	(3855115)	1	Sensor	Dual station, Obsolete part
	3858212	1	Sensor	Digital
8	(3852257)	3	• Terminal	Obsolete part
9	3853458	2	Washer	
10	3851787	1	Adapter kit	Analog
11	(3860248)	1	Kit	Obsolete part, Digital
12	3819708	1	• Instrument kit	
13	858643	1	• • Front ring	
14	856821	1	• Cable kit	
15	1324492	2	• Relay	
16	853066	1	• Cable trunk	
17	3855650	1	Control panel	

SX-M, SX-MACLT, SX-MBAC, SX-MHP



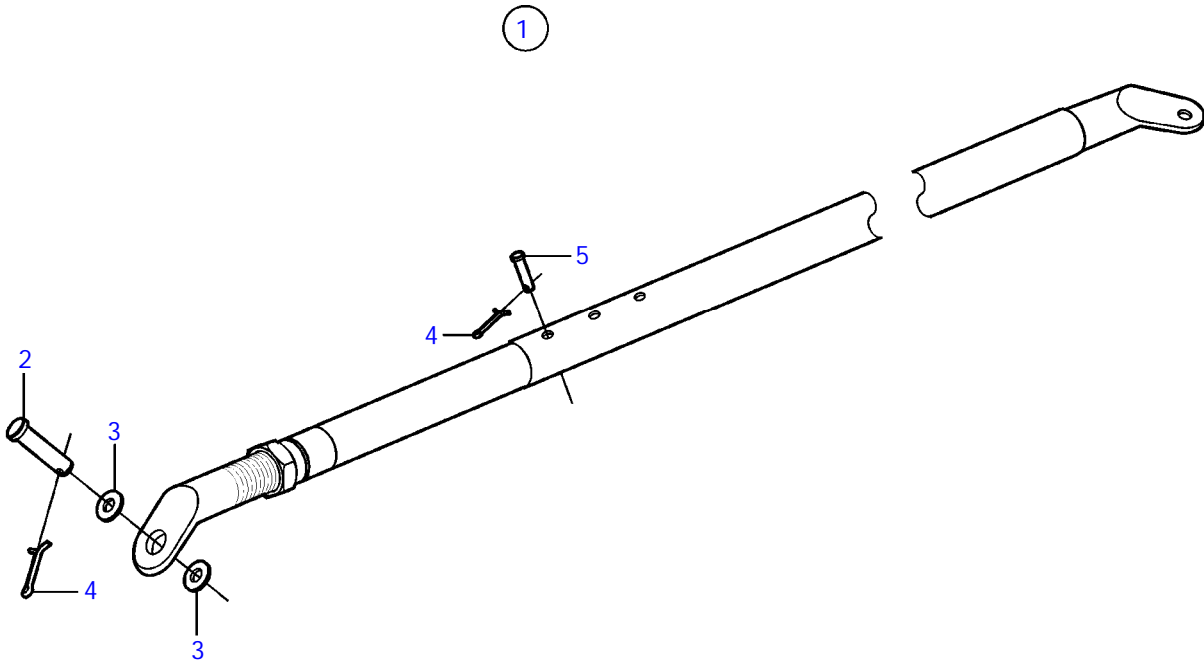
19616

SX-M, SX-MACLT, SX-MBAC, SX-MHP



18083

SX-M, SX-MACLT, SX-MBAC, SX-MHP



18085

SX-M, SX-MACLT, SX-MBAC, SX-MHP

REF	PART NO.	QTY	DESCRIPTION	NOTES
1	3841706	1	Kit	L=26-41" (0.66-1.04M)
	3841707	1	Kit	L=33-48" (0.84-1.22M)
2	3855225	2	• Clevis pin	
3	3855226	4	• Washer	
4	3852255	3	• Split pin	
5	3855224	1	• Clevis pin	

SX-M, SX-MACLT, SX-MBAC, SX-MHP

REF	PART NO.	QTY	DESCRIPTION	NOTES
1	3858631	1	Sealing kit	Transom shield
	983513	1	• O-ring	
	3851975	1	• Plug	
	3852044	1	• O-ring	
	3852165	12	• O-ring	
	3852169	1	• O-ring	
	3852523	1	• O-ring	
	3852535	1	• O-ring	
	3852537	1	• O-ring	
	3852544	3	• Bearing	
	3852547	1	• Bearing	
	3852548	1	• Sealing	
	3852550	1	• Sealing	
	3852556	1	• Bushing	
	3852557	6	• Washer	
	3852558	2	• Washer	
	3852560	1	• Sealing	
	3852677	1	• Gasket	
	3587651	1	• Kit	
	3852852	2	• Gasket	
	3853423	12	• Bushing	
	3853424	12	• Grommet	
	3857087	1	• O-ring	

--

DESCRIPTION	SEE SEC.	NOTES
Maintenance Parts, SX-M, DP-SM	36060	SX-M, SX-MACLT, SX-MBAC, SX-MHP



--

DESCRIPTION	SEE SEC.	NOTES
Rudder Indicator Kit, SX & DPS Drive	35699	SX-M, SX-MACLT, SX-MBAC, SX-MHP



DESCRIPTION	SEE SEC.	NOTES
Inner Transom Plate	8904	SX-M, SX-MACLT, SX-MBAC, SX-MHP
Transom Shield	8973	SX-M
Transom Shield	8974	SX-MACLT
Transom Shield	8014	SX-MBAC
Transom Shield	8975	SX-MHP
Gimbal Ring and Pivot Housing	8976	SX-M, SX-MACLT
Gimbal Ring and Pivot Housing	8017	SX-MBAC
Gimbal Ring and Pivot Housing	8977	SX-MHP
Active Corrosion Protection System, Later Version	6238	SX-M, SX-MACLT
Active Corrosion Protection System, Later Version	7946	SX-MACLT, SX-MBAC
Active Corrosion Protection System, Later Version	6370	SX-MHP
Adapter Plate	6232	SX-M
Water and Exhaust Block off Kits	8908	SX-M, SX-MACLT, SX-MBAC, SX-MHP
Jackshaft Bearing Housing, Later Version	6249	SX-M, SX-MACLT, SX-MBAC, SX-MHP
Jackshaft	7571	SX-M, SX-MACLT, SX-MBAC, SX-MHP
Jackshaft, Exhaust Components, 4.3L	8910	SX-M, SX-MACLT
Jackshaft, Exhaust Components, 5.0L and 5.7L	8911	SX-M, SX-MACLT, SX-MBAC, SX-MHP
Jackshaft, Connecting Components, Later Version	8912	SX-M, SX-MACLT, SX-MBAC, SX-MHP
Trim Pump	8915	SX-M, SX-MACLT, SX-MBAC, SX-MHP
Trim Cylinders	8913	SX-M, SX-MBAC, SX-MHP
Trim Cylinders	8968	SX-MACLT
Trim Senders and Gauges	8914	SX-M, SX-MACLT, SX-MBAC, SX-MHP
Trim Limit Kit	6239	SX-M, SX-MACLT, SX-MBAC, SX-MHP

--

DESCRIPTION	SEE SEC.	NOTES
Repair Kits	8916	SX-M, SX-MACLT, SX-MBAC, SX-MHP



