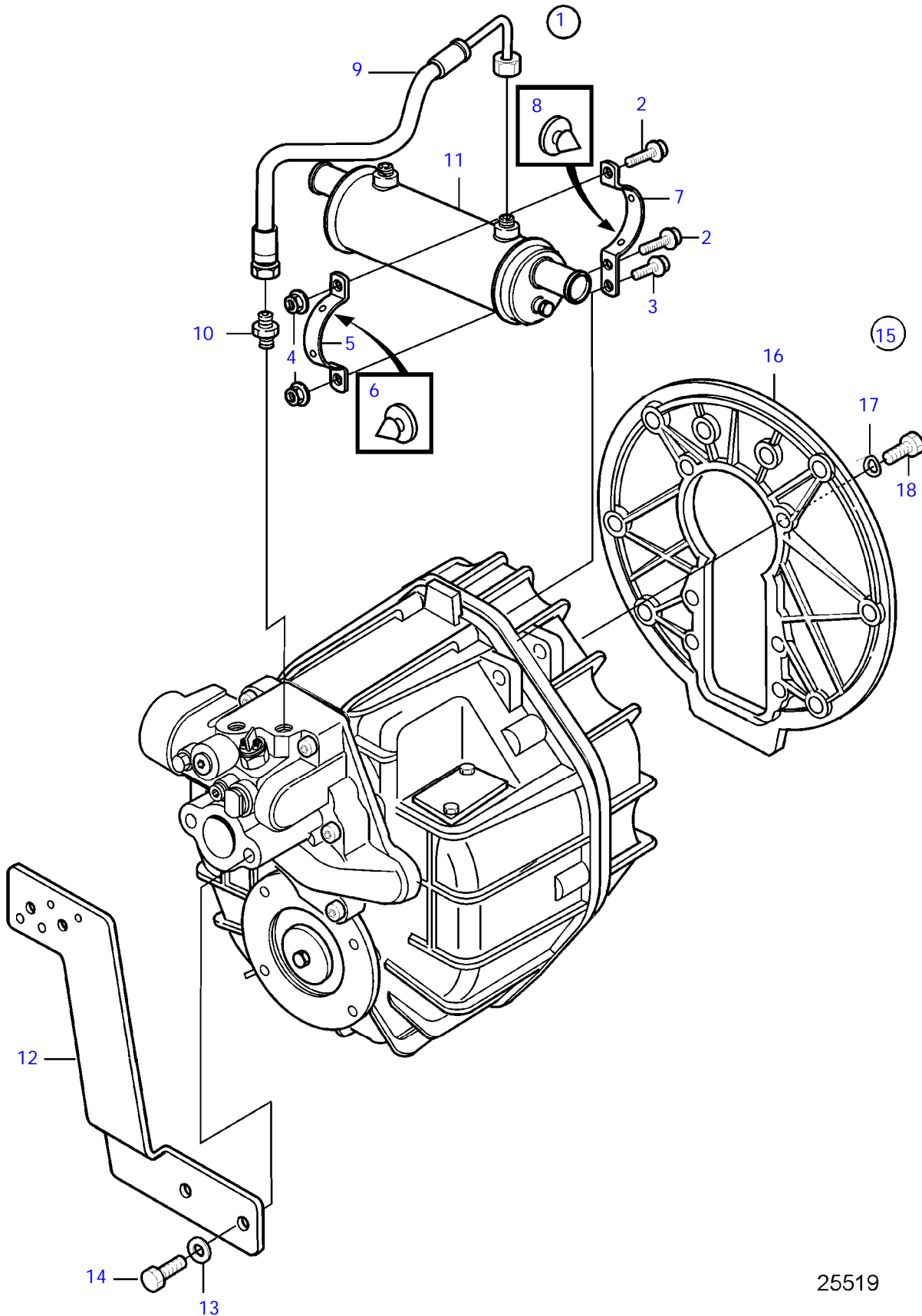


REF	PART NO.	QTY	DESCRIPTION	SEE SEC.	NOTES
1	(3582192)	1	Housing		Obsolete part
			•	36580	Ratio 1.93:1
			•	36584	Ratio 2.29:1
			•	36581	Ratio 2.48:1
			•	36579	Ratio 2.71:1
2	(3582193)	1	Housing		Obsolete part
			•	36580	Ratio 1.93:1
			•	36584	Ratio 2.29:1
			•	36581	Ratio 2.48:1
			•	36579	Ratio 2.71:1
3	3582045	2	Dowel		
4	941908	10	Spring washer		
5	970949	10	Hexagon screw		
6	3582047	1	Sealing		
7	3582050	1	Valve		
8	3582201	1	Dipstick		
9	3582203	1	• O-ring		
10	3581973	1	Plug		
11	945444	2	Flange screw		
12	(3582200)	1	Cover		Obsolete part
13	3582205	1	Sealing		
14	3581747	1	Oil filter		
15	3582191	1	Valve		
16	3582046	1	• Gasket		
17	941908	6	Spring washer		
18	955298	6	Hexagon screw		
19	21228853	1	Engagement lever kit		
20	3582055	1	• Lever fork		
21	941907	2	• Spring washer		
22	941761	1	• Hex. socket screw		
23	963106	1	• Lock nut		

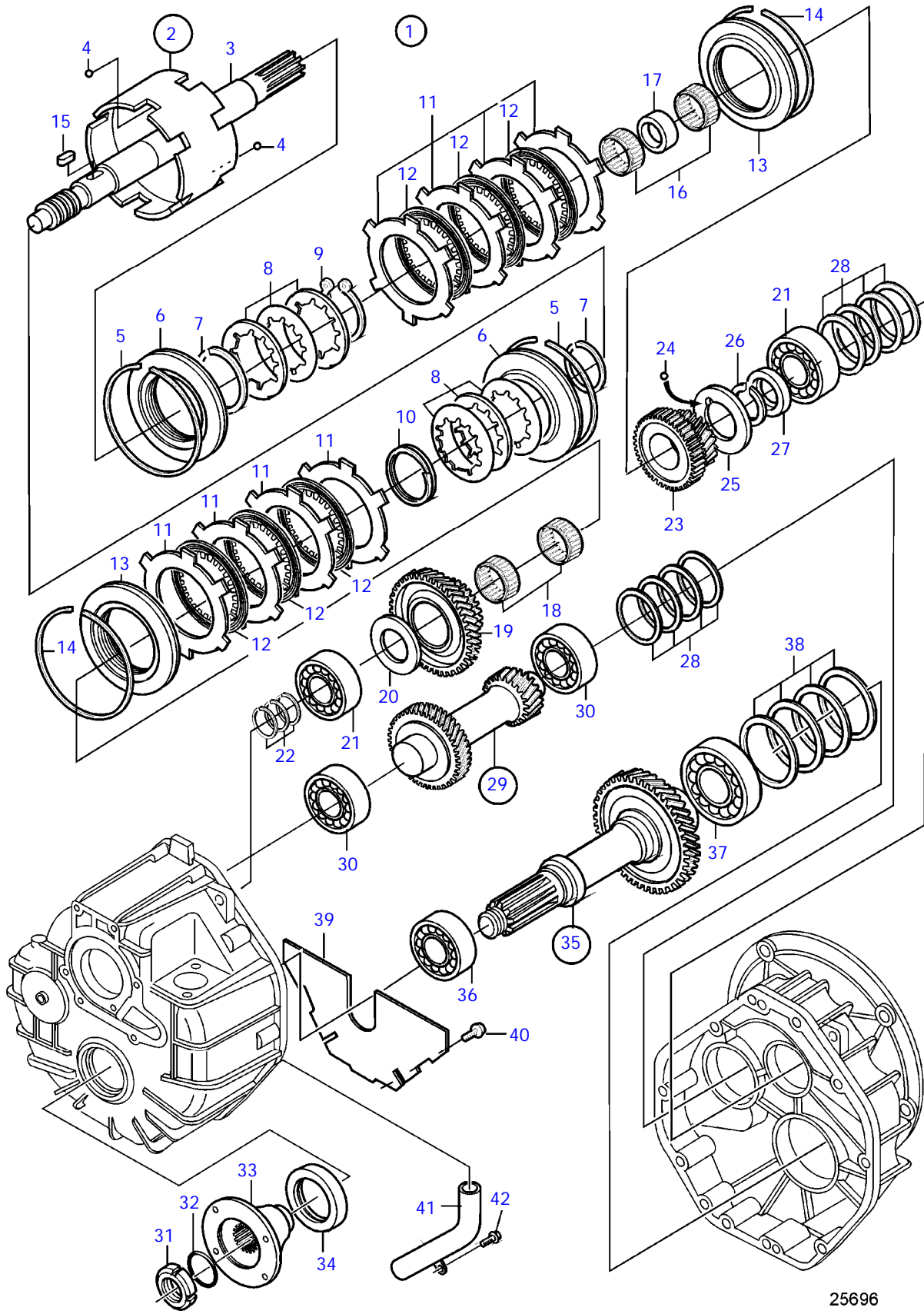


25519

--

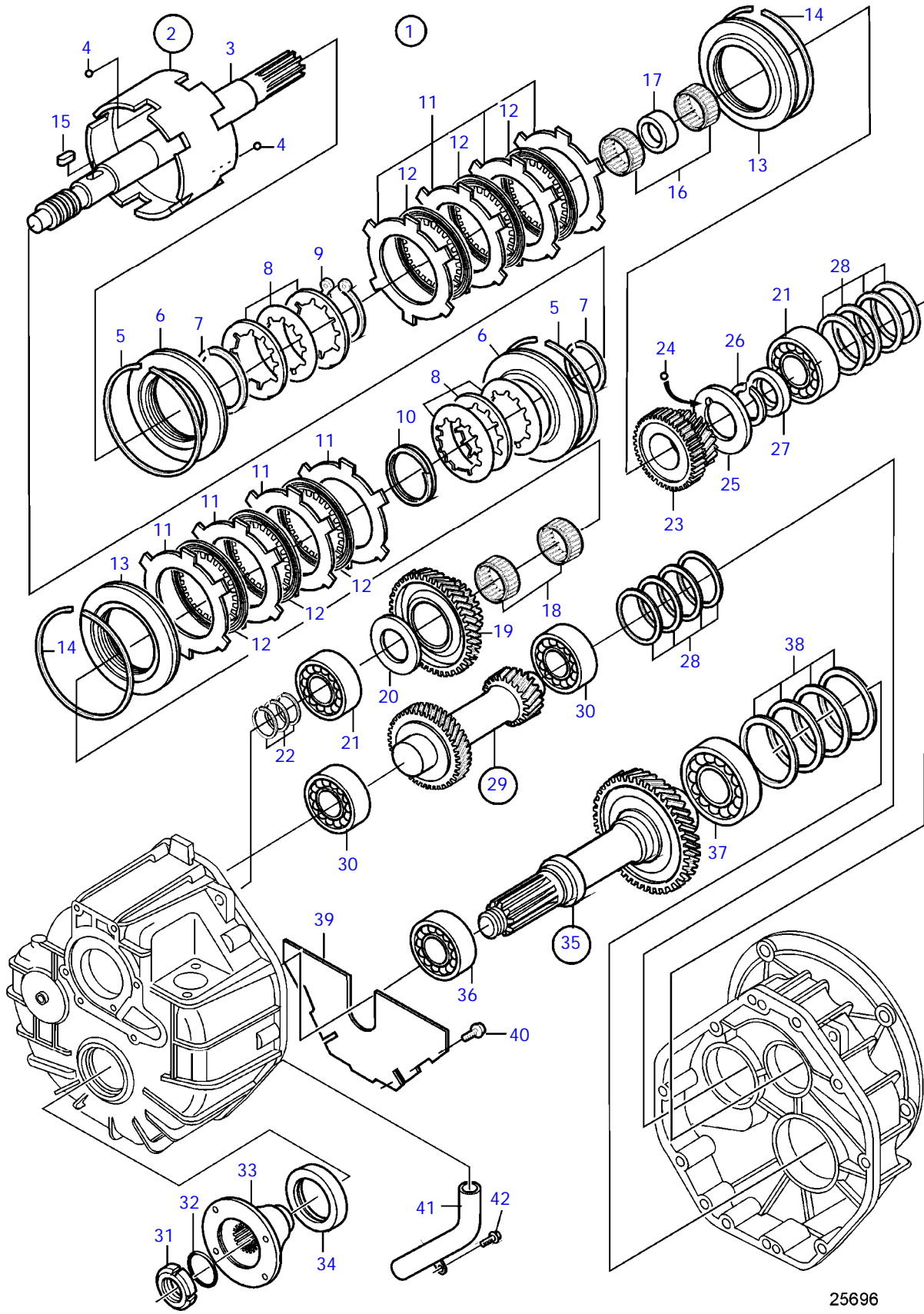
REF	PART NO.	QTY	DESCRIPTION	NOTES
1	3582180	2	Bracket, kit	
2	946329	4	• Flange screw	
3		2	• Screw	
4	971089	4	• Lock nut	
5		2	• Bracket	
6		2	• Plug	
7		2	• Bracket	
8		2	• Plug	
9	3582176	2	Hose	
10	3582330	2	Nipple	
11	872626	1	Oil cooler	Replaced by 21116456
	21116456	1	Oil cooler kit	
12	3581960	1	Bracket	
13	976945	2	Washer	
14	940133	2	Hexagon screw	
15	21162171	1	Adapter kit	
16	3582305	1	• Cover	
17	941908	6	• Spring washer	
18	970947	6	• Hexagon screw	





25696

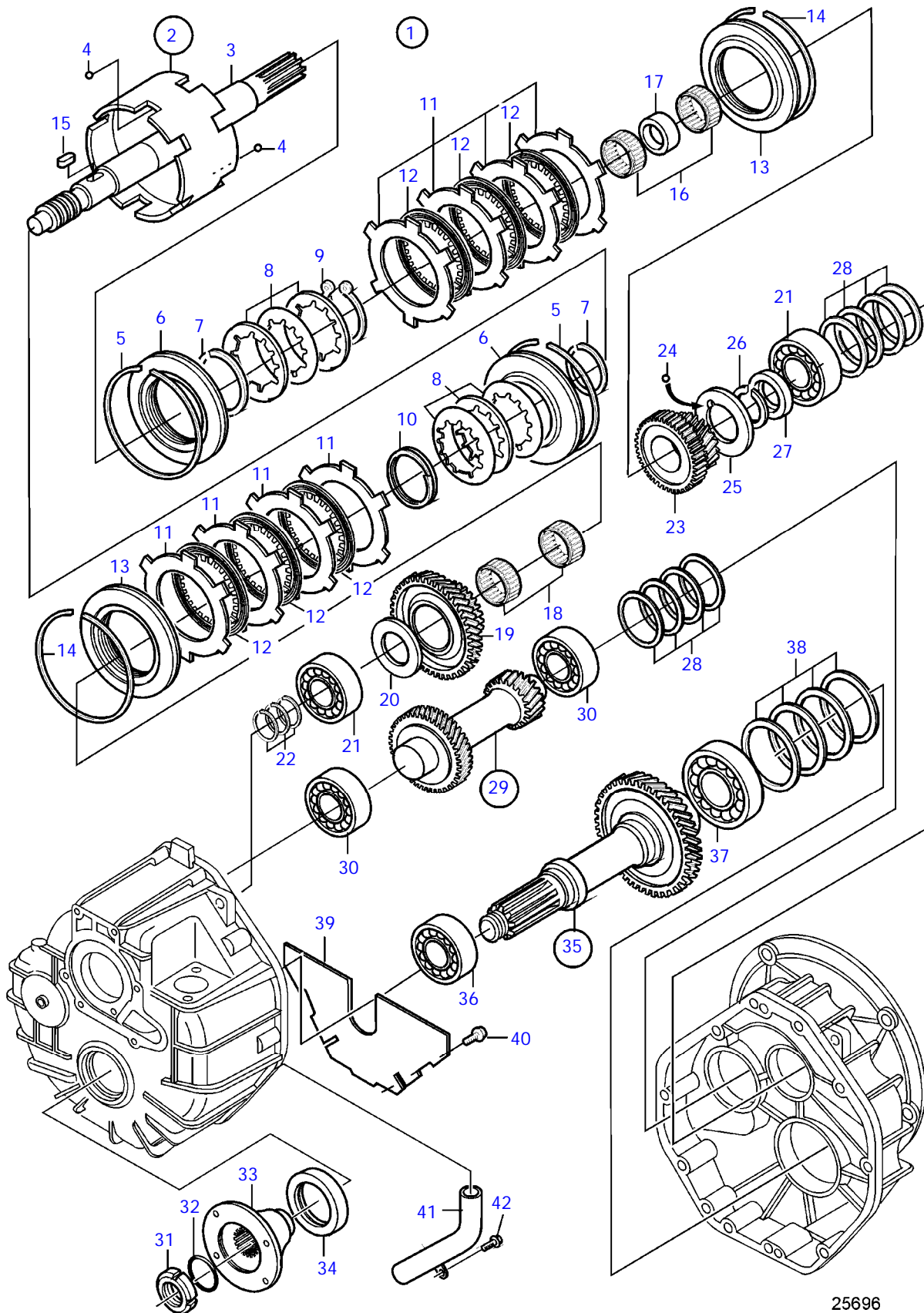
REF	PART NO.	QTY	DESCRIPTION	NOTES
1	21158901	1	Reversing gear kit	
2	3584037	1	• Input shaft	(3582208)
3	3582211	1	• • Shaft	
4	3582112	2	• • Ball	
5	3582108	2	• • Ring	
6	3582106	2	• • Piston	
7	3582110	2	• • Ring	
8	3582114	6	• • Spring	
9	3582118	1	• • Lock ring	
10	3582117	1	• • Ring	
11	3582100	8	• • Disc	
12	3582098	6	• • Disc	
13	3582104	2	• • Disc	
14	3582102	2	• • Ring	
15	3582089	1	• Key	
16	3582077	2	• Needle bearing	
17	3582141	1	• Spacer	
18	3582177	2	• Bearing	
19	(3582209)	1	• Reverse gear	Obsolete part
20	3582080	1	• Friction washer	
21	184083	2	• Roller bearing	(3582082)
22	3582087	3	• Piston ring	
23	3807726	1	• Gear	
24	3582113	1	• Ball	
25	3582081	1	• Thrust washer	
26	(3582206)	1	• Lock ring	Obsolete part
27	(3582210)	1	• Spacer	Obsolete part
28	3582090	X	• Shim	TH=0,10mm
	3582092	X	• Shim	TH=0,15mm
	3582095	X	• Shim	TH=0,30mm
	3582096	X	• Shim	TH=0,50mm
29	3807727	1	• Intermedi.shaft kit	
30	184083	2	• • Roller bearing	
31	3582127	1	• Ring nut	
32	3582121	1	• O-ring	
33	3582124	1	• Flange	
34	3582051	1	• Sealing	
35	3807728	1	• Output shaft	
36	184083	1	• • Roller bearing	
37	11065	1	• • Roller bearing	
38	(3582195)	X	• Shim	TH=0,10mm, Obsolete part
	(3582196)	X	• Shim	TH=0,15mm, Obsolete part
	(3582197)	X	• Shim	TH=0,30mm, Obsolete part
	(3582198)	X	• Shim	TH=0,50mm, Obsolete part
39	3582207	1	• Plate	
40	969405	2	• 6 point socket screw	
41	3584043	1	• Suction pipe	
42	942001	1	• Hex. socket screw	



25696

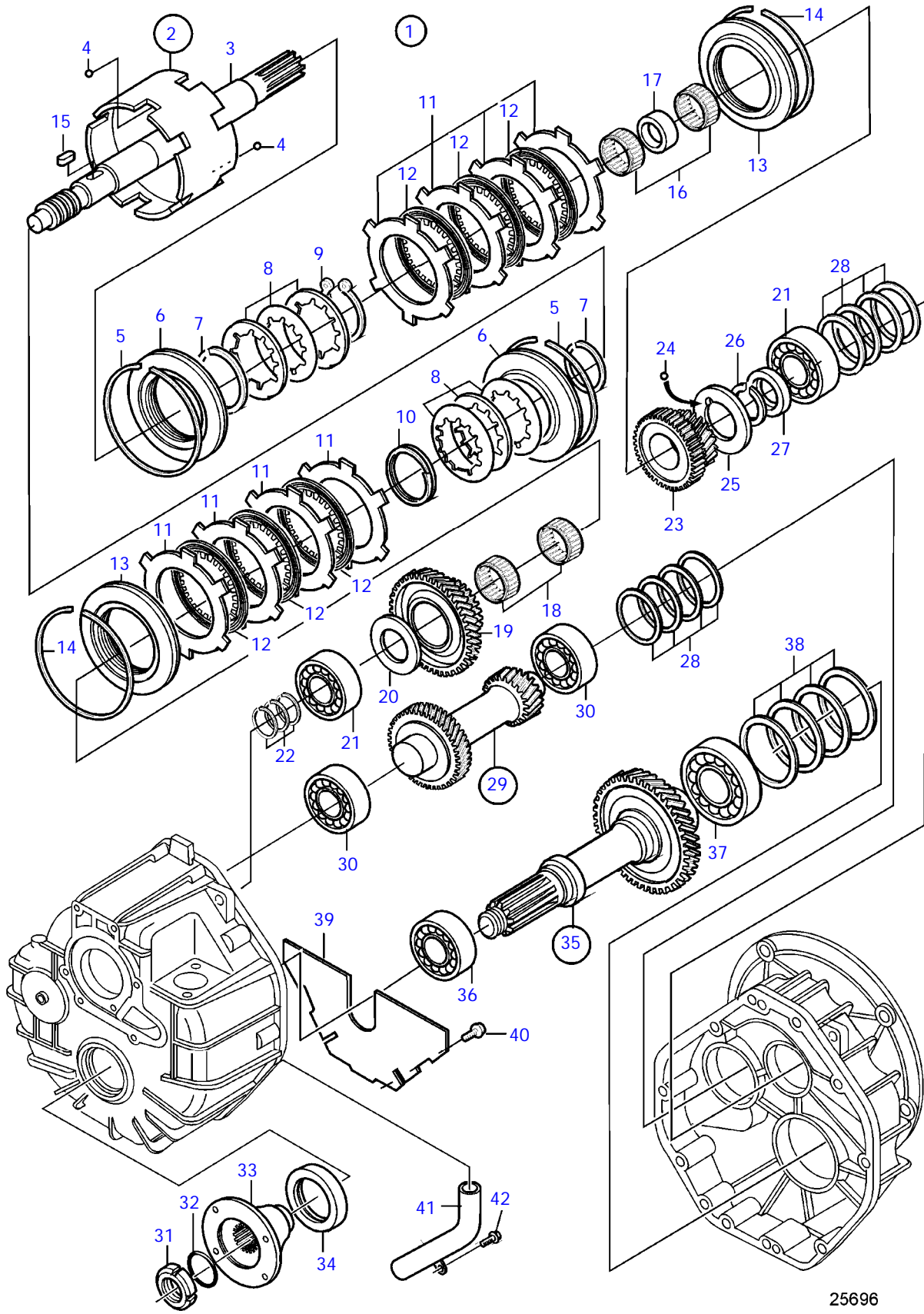


REF	PART NO.	QTY	DESCRIPTION	NOTES
1	21158906	1	Reversing gear kit	
2	3584037	1	• Input shaft	(3582208)
3	3582211	1	• • Shaft	
4	3582112	2	• • Ball	
5	3582108	2	• • Ring	
6	3582106	2	• • Piston	
7	3582110	2	• • Ring	
8	3582114	6	• • Spring	
9	3582118	1	• • Lock ring	
10	3582117	1	• • Ring	
11	3582100	8	• • Disc	
12	3582098	6	• • Disc	
13	3582104	2	• • Disc	
14	3582102	2	• • Ring	
15	3582089	1	• Key	
16	3582077	2	• Needle bearing	
17	3582141	1	• Spacer	
18	3582177	2	• Bearing	
19	(3582209)	1	• Reverse gear	Obsolete part
20	3582080	1	• Friction washer	
21	184083	5	• Roller bearing	(3582082)
22	3582087	3	• Piston ring	
23	(3582212)	1	• Gear	Obsolete part
24	3582113	1	• Ball	
25	3582081	1	• Thrust washer	
26	(3582206)	1	• Lock ring	Obsolete part
27	(3582210)	1	• Spacer	Obsolete part
28	3582090	X	• Shim	TH=0,10mm
	3582092	X	• Shim	TH=0,15mm
	3582095	X	• Shim	TH=0,30mm
	3582096	X	• Shim	TH=0,50mm
29	(3582213)	1	• Intermedi.shaft kit	Obsolete part
30	184083	2	• • Roller bearing	
31	3582127	1	• Ring nut	
32	3582121	1	• O-ring	
33	3582124	1	• Flange	
34	3582051	1	• Sealing	
35	(3582214)	1	• Output shaft	Obsolete part
36	184083	1	• • Roller bearing	
37	11065	1	• • Roller bearing	
38	(3582195)	X	• Shim	TH=0,10mm, Obsolete part
	(3582196)	X	• Shim	TH=0,15mm, Obsolete part
	(3582197)	X	• Shim	TH=0,30mm, Obsolete part
	(3582198)	X	• Shim	TH=0,50mm, Obsolete part
39	3582207	1	• Plate	
40	969405	2	• 6 point socket screw	
41	3584043	1	• Suction pipe	
42	942001	1	• Hex. socket screw	



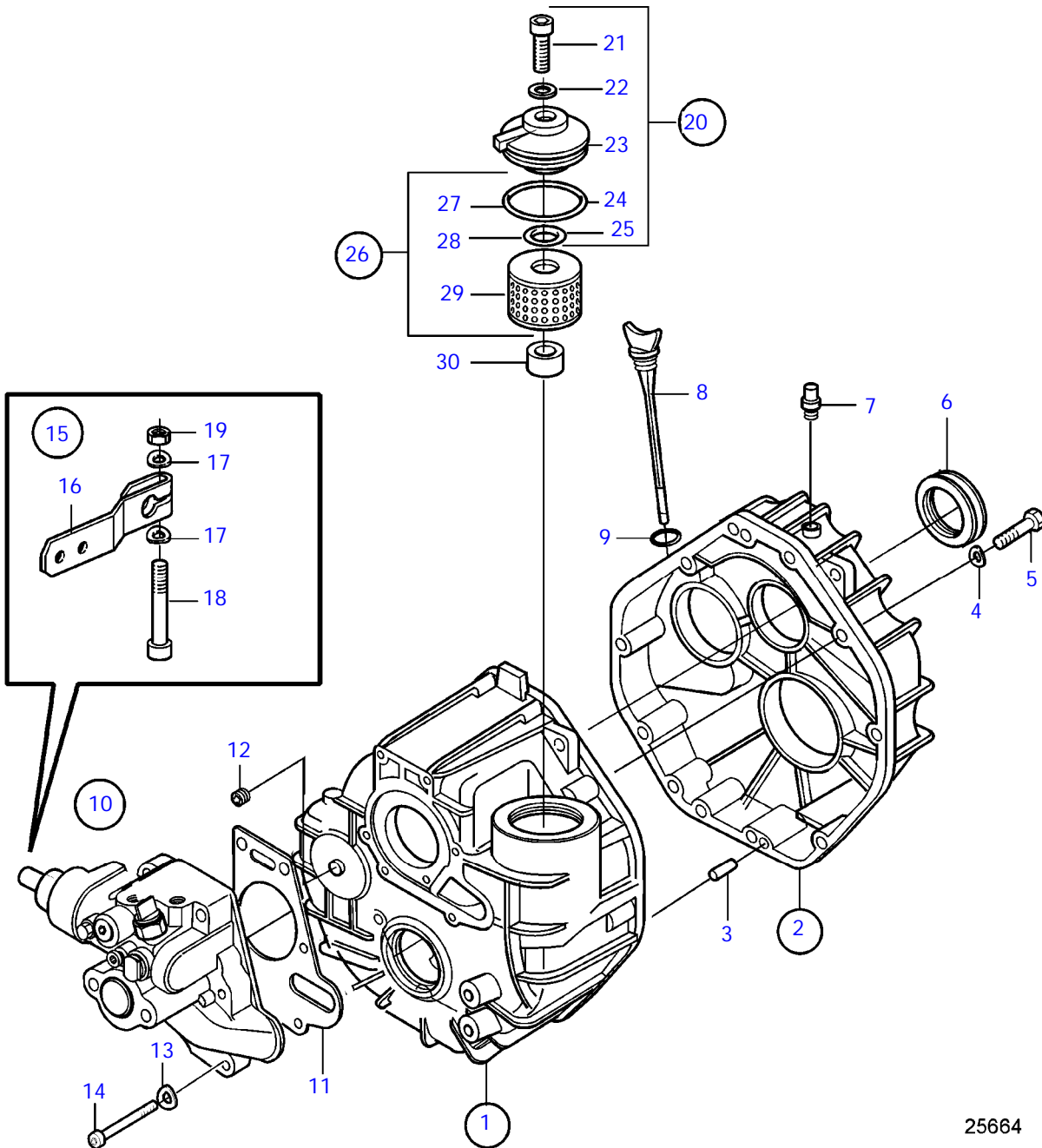
25696

REF	PART NO.	QTY	DESCRIPTION	NOTES
1	21158904	1	Reversing gear kit	
2	3584037	1	• Input shaft	
3	3582211	1	• • Shaft	
4	3582112	2	• • Ball	
5	3582108	2	• • Ring	
6	3582106	2	• • Piston	
7	3582110	2	• • Ring	
8	3582114	6	• • Spring	
9	3582118	1	• • Lock ring	
10	3582117	1	• • Ring	
11	3582100	8	• • Disc	
12	3582098	6	• • Disc	
13	3582104	2	• • Disc	
14	3582102	2	• • Ring	
15	3582089	1	• Key	
16	3582077	2	• Needle bearing	
17	3582141	1	• Spacer	
18	3582177	2	• Bearing	
19	(3582209)	1	• Reverse gear	Obsolete part
20	3582080	1	• Friction washer	
21	184083	5	• Roller bearing	
22	3582087	3	• Piston ring	
23	3888145	1	• Gear	
24	3582113	1	• Ball	
25	3582081	1	• Thrust washer	
26	(3582206)	1	• Lock ring	Obsolete part
27	(3582210)	1	• Spacer	Obsolete part
28	3582090	X	• Shim	TH=0,10mm
	3582092	X	• Shim	TH=0,15mm
	3582095	X	• Shim	TH=0,30mm
	3582096	X	• Shim	TH=0,50mm
29	3888147	1	• Intermedi.shaft kit	
30	184083	2	• • Roller bearing	
31	3582127	1	• Ring nut	
32	3582121	1	• O-ring	
33	3582124	1	• Flange	
34	3582051	1	• Sealing	
35	3888146	1	• Output shaft	
36	184083	1	• • Roller bearing	
37	11065	1	• • Roller bearing	
38	(3582195)	X	• Shim	TH=0,10mm, Obsolete part
	(3582196)	X	• Shim	TH=0,15mm, Obsolete part
	(3582197)	X	• Shim	TH=0,30mm, Obsolete part
	(3582198)	X	• Shim	TH=0,50mm, Obsolete part
39	3582207	1	• Plate	
40	969405	2	• 6 point socket screw	
41	3584043	1	• Suction pipe	
42	942001	1	• Hex. socket screw	



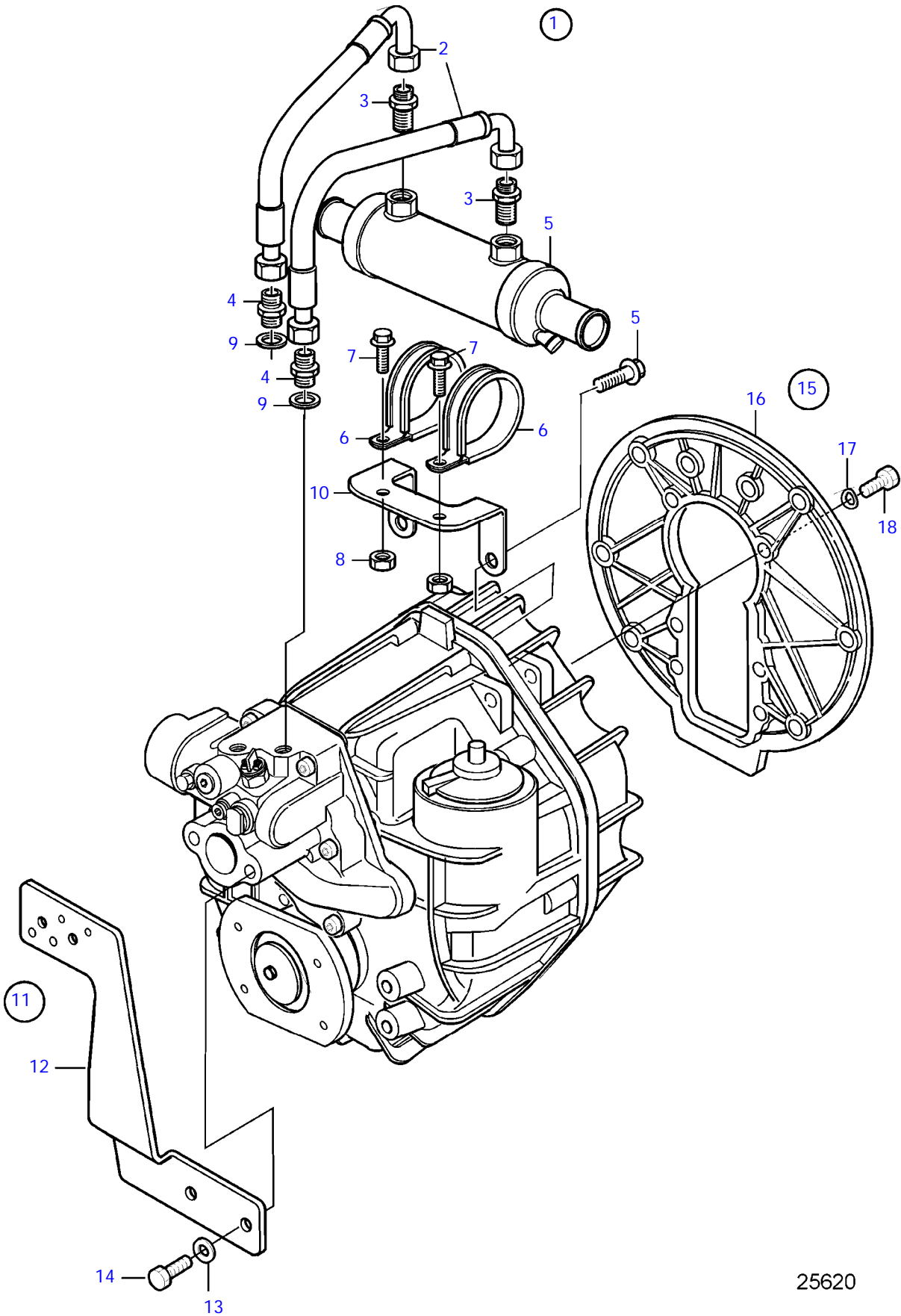
25696

REF	PART NO.	QTY	DESCRIPTION	NOTES
1	21158911	1	Reversing gear kit	
2	3584037	1	• Input shaft	
3	3582211	1	• • Shaft	
4	3582112	2	• • Ball	
5	3582108	2	• • Ring	
6	3582106	2	• • Piston	
7	3582110	2	• • Ring	
8	3582114	6	• • Spring	
9	3582118	1	• • Lock ring	
10	3582117	1	• • Ring	
11	3582100	8	• • Disc	
12	3582098	6	• • Disc	
13	3582104	2	• • Disc	
14	3582102	2	• • Ring	
15	3582089	1	• Key	
16	3582077	2	• Needle bearing	
17	3582141	1	• Spacer	
18	3582177	2	• Bearing	
19	(3582209)	1	• Reverse gear	Obsolete part
20	3582080	1	• Friction washer	
21	184083	5	• Roller bearing	
22	3582087	3	• Piston ring	
23	3582215	1	• Gear	
24	3582113	1	• Ball	
25	3582081	1	• Thrust washer	
26	(3582206)	1	• Lock ring	Obsolete part
27	(3582210)	1	• Spacer	Obsolete part
28	3582090	X	• Shim	TH=0,10mm
	3582092	X	• Shim	TH=0,15mm
	3582095	X	• Shim	TH=0,30mm
	3582096	X	• Shim	TH=0,50mm
29	(3582216)	1	• Intermedi.shaft kit	2 x 184083 included, Obsolete part
30	184083	2	• • Roller bearing	
31	3582127	1	• Ring nut	
32	3582121	1	• O-ring	
33	3582124	1	• Flange	
34	3582051	1	• Sealing	
35	3582217	1	• Output shaft	184083 and 11065 included
36	184083	1	• • Roller bearing	
37	11065	1	• • Roller bearing	
38	(3582195)	X	• Shim	TH=0,10mm, Obsolete part
	(3582196)	X	• Shim	TH=0,15mm, Obsolete part
	(3582197)	X	• Shim	TH=0,30mm, Obsolete part
	(3582198)	X	• Shim	TH=0,50mm, Obsolete part
39	3582207	1	• Plate	
40	969405	2	• 6 point socket screw	
41	3584043	1	• Suction pipe	
42	942001	1	• Hex. socket screw	



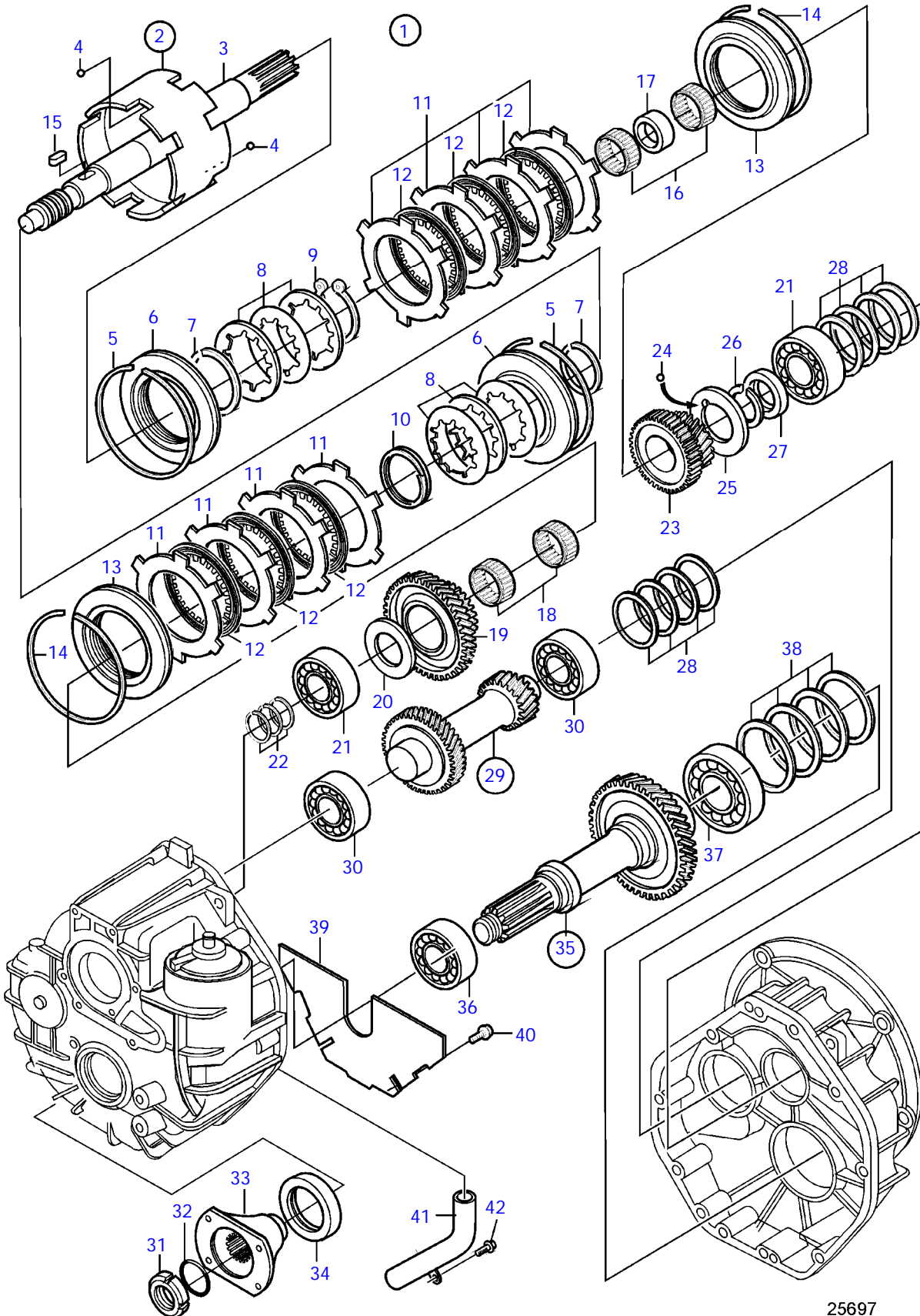
25664

REF	PART NO.	QTY	DESCRIPTION	SEE SEC.	NOTES
1		1	Housing		
			•	36591	Ratio 1.93:1
			•	36588	Ratio 2.29:1
			•	36590	Ratio 2.48:1
			•	36589	Ratio 2.71:1
2		1	Housing		
			•	36591	Ratio 1.93:1
			•	36588	Ratio 2.29:1
			•	36590	Ratio 2.48:1
			•	36589	Ratio 2.71:1
3	3582045	2	Dowel		
4	941908	10	Spring washer		
5	970949	10	Hexagon screw		
6	3582047	1	Sealing		
7	3582050	1	Valve		
8	3582201	1	Dipstick		
9	3582203	1	• O-ring		
10	3582191	1	Valve		
11	3582046	1	• Gasket		
12	3581973	1	Plug		
13	941908	1	Spring washer		
14	955298	1	Hexagon screw		
15	21228853	1	Engagement lever kit		
16	3582055	1	• Lever fork		
17	941907	2	• Spring washer		
18	941761	1	• Hex. socket screw		
19	963106	1	• Lock nut		
20	3582063	1	Filter cap		
21	940142	1	• Hexagon screw		
22	976944	1	• Washer		
23			• Cover		
24	3582065	1	• O-ring		
25	3582064	1	• O-ring		
26	3582069	1	Oil filter		
27	3582065	1	• O-ring		
28	3582064	1	• O-ring		
29		1	• Oil filter		
30	3582049	1	Sealing		



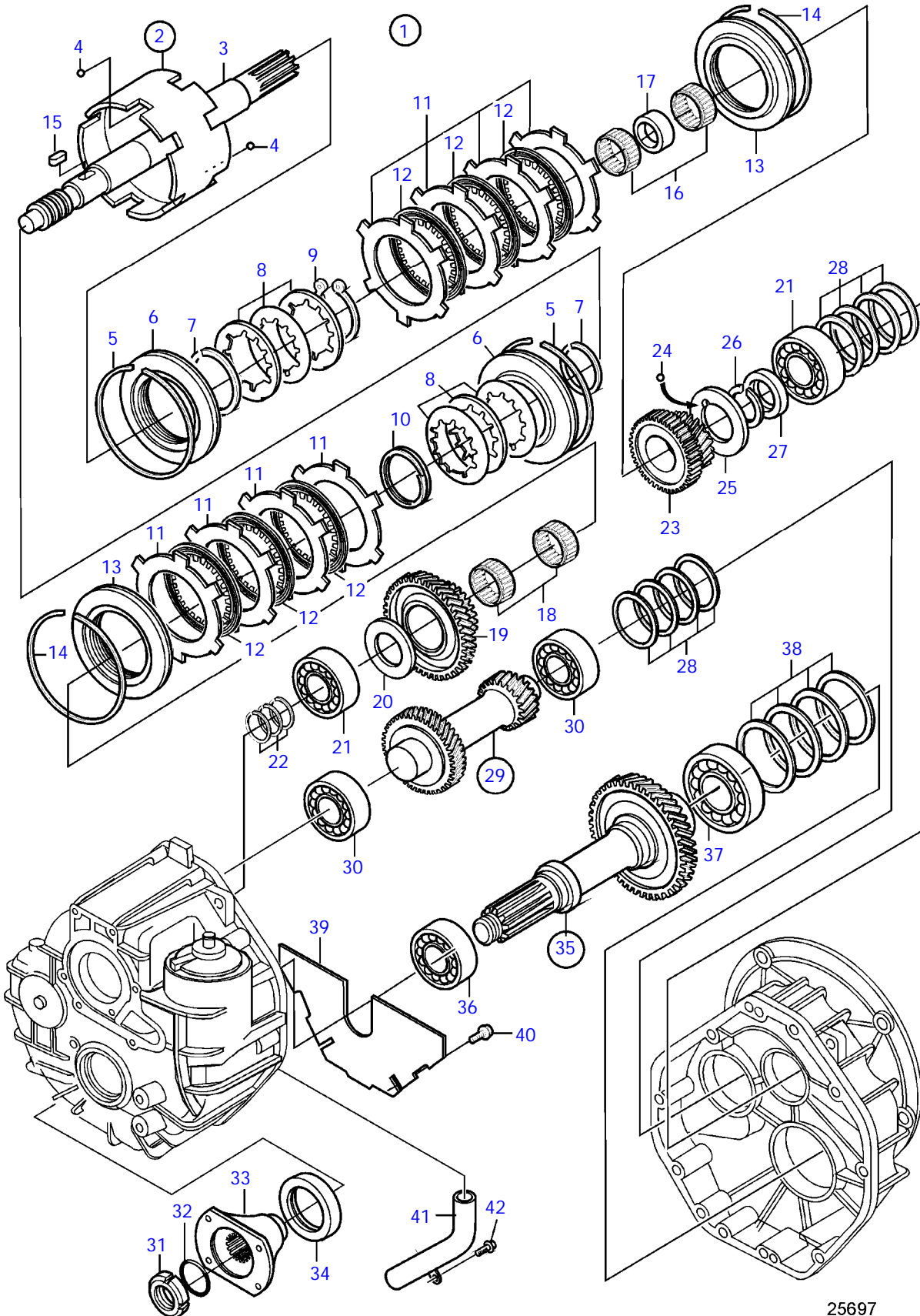
25620

REF	PART NO.	QTY	DESCRIPTION
1	21116456	1	Oil cooler kit, kit
2	21148614	2	• Hose
3	941750	2	• Nipple
4	963959	2	• Nipple
5	21112814	1	• Oil cooler
6	21149056	2	• Clamp
7	970948	2	• Hexagon screw
8	971071	2	• Hexagon nut
9	947623	2	• Gasket
10		1	• Bracket
11	21159822	1	Bracket kit
12	3581960	1	• Bracket
13	976945	2	• Washer
14	940133	2	• Hexagon screw
15	21162171	1	Adapter kit
16	3582305	1	• Cover
17	941908	6	• Spring washer
18	970947	6	• Hexagon screw



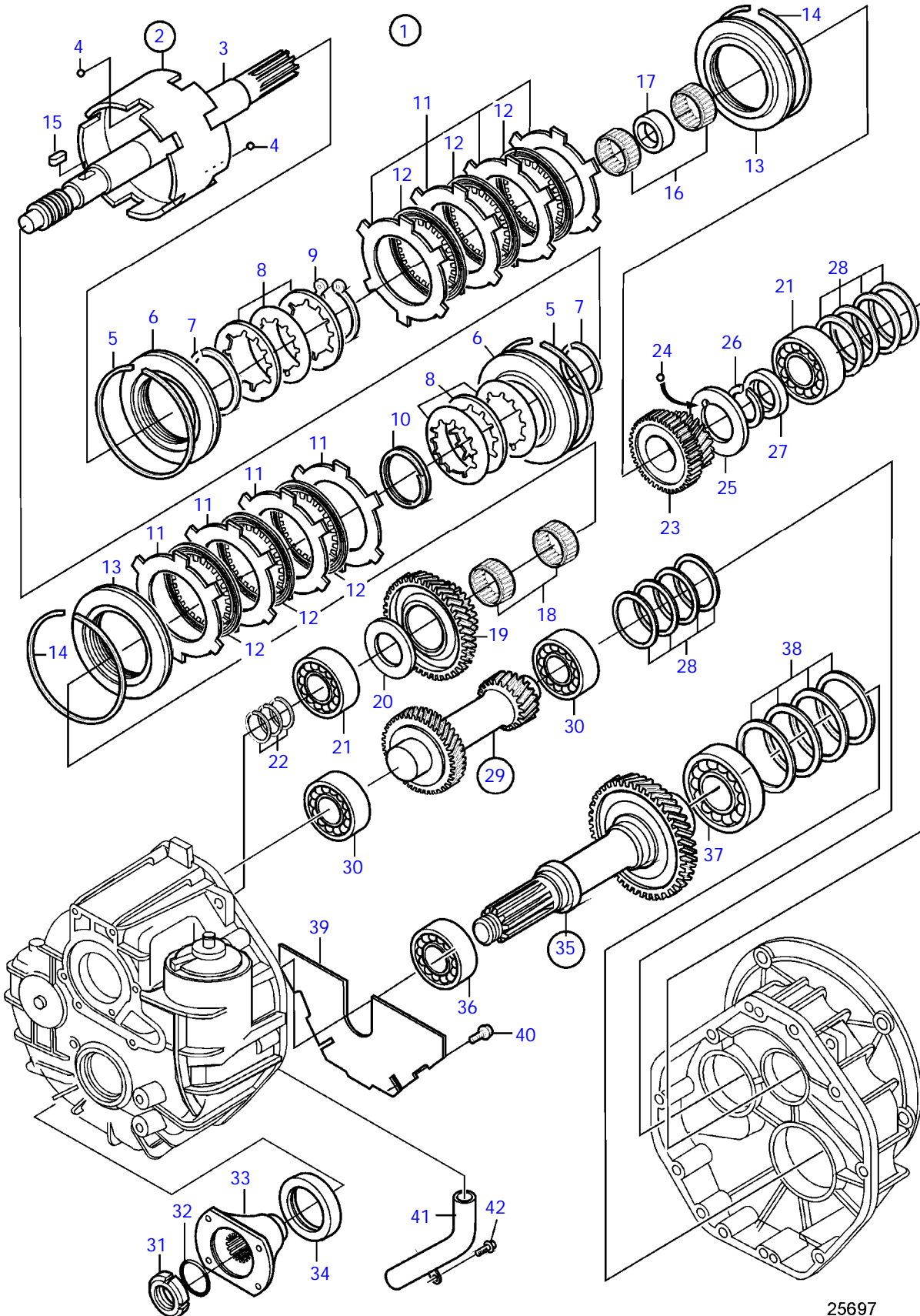
25697

REF	PART NO.	QTY	DESCRIPTION	NOTES
1	21158901	1	Reversing gear kit	
2	3584037	1	• Input shaft	(3582208)
3	3582211	1	• • Shaft	
4	3582112	2	• • Ball	
5	3582108	2	• • Ring	
6	3582106	2	• • Piston	
7	3582110	2	• • Ring	
8	3582114	6	• • Spring	
9	3582118	1	• • Lock ring	
10	3582117	1	• • Ring	
11	3582100	8	• • Disc	
12	3582098	6	• • Disc	
13	3582104	2	• • Disc	
14	3582102	2	• • Ring	
15	3582089	1	• Key	
16	3582077	2	• Needle bearing	
17	3582141	1	• Spacer	
18	3582177	2	• Bearing	
19	(3582209)	1	• Reverse gear	Obsolete part
20	3582080	1	• Friction washer	
21	184083	5	• Roller bearing	(3582082)
22	3582087	3	• Piston ring	
23	3807726	1	• Gear	
24	3582113	1	• Ball	
25	3582081	1	• Thrust washer	
26	(3582206)	1	• Lock ring	Obsolete part
27	(3582210)	1	• Spacer	Obsolete part
28	3582090	X	• Shim	TH=0.10mm
	3582092	X	• Shim	TH=0.15mm
	3582095	X	• Shim	TH=0.30mm
	3582096	X	• Shim	TH=0.50mm
29	3807727	1	• Intermedi.shaft kit	
30	184083	2	• • Roller bearing	
31	3582127	1	• Ring nut	
32	3582121	1	• O-ring	
33	3582124	1	• Flange	
34	3582051	1	• Sealing	
35	3807728	1	• Output shaft	
36	184083	1	• • Roller bearing	
37	11065	1	• • Roller bearing	
38	(3582195)	X	• Shim	TH=0.10mm, Obsolete part
	(3582196)	X	• Shim	TH=0.15mm, Obsolete part
	(3582197)	X	• Shim	TH=0.30mm, Obsolete part
	(3582198)	X	• Shim	TH=0.50mm, Obsolete part
39	3582207	1	• Plate	
40	969405	2	• 6 point socket screw	
41	3584043	1	• Suction pipe	
42	942001	1	• Hex. socket screw	



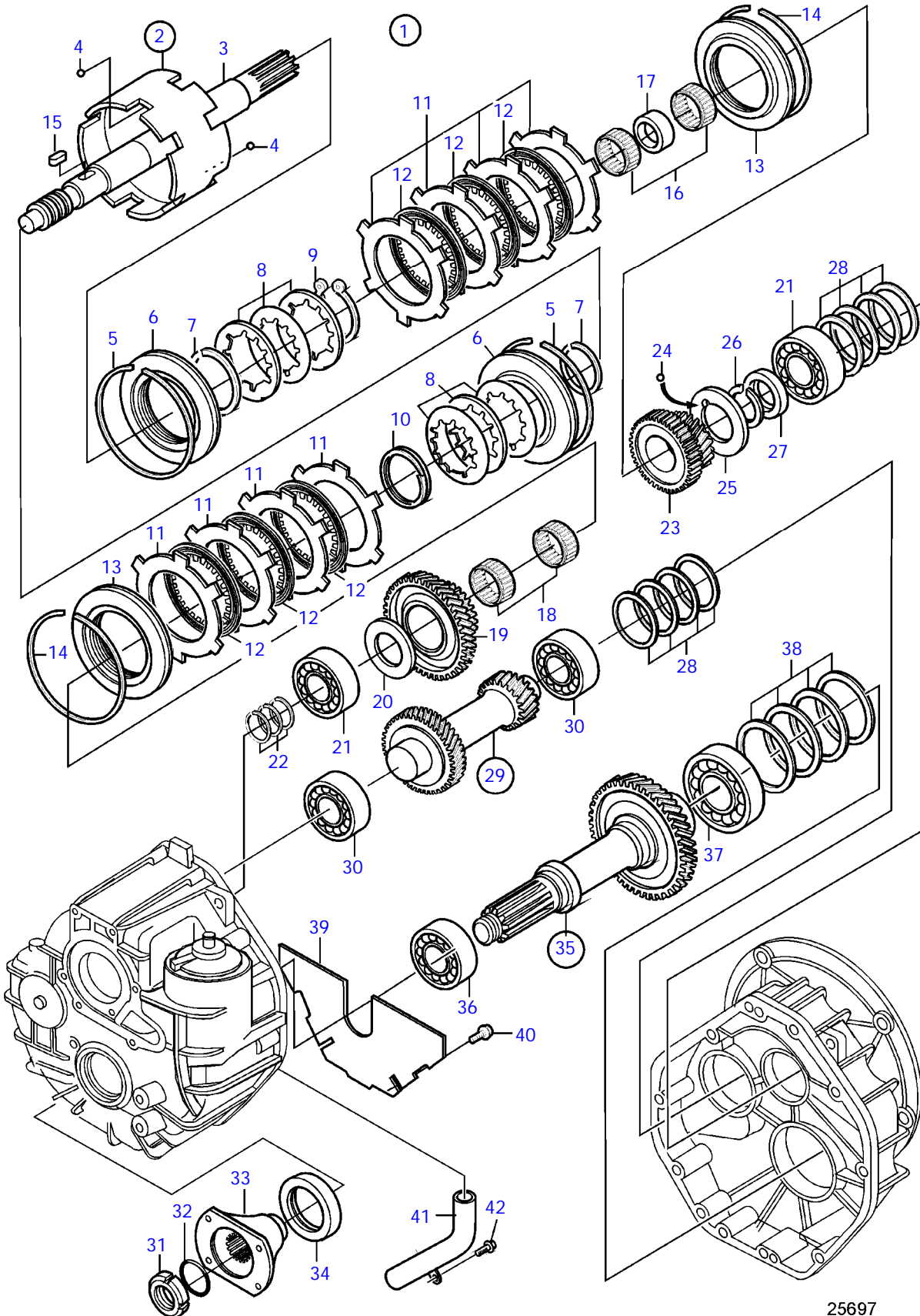
25697

REF	PART NO.	QTY	DESCRIPTION	NOTES
1	21158906	1	Reversing gear kit	
2	3584037	1	• Input shaft	(3582208)
3	3582211	1	• • Shaft	
4	3582112	2	• • Ball	
5	3582108	2	• • Ring	
6	3582106	2	• • Piston	
7	3582110	2	• • Ring	
8	3582114	6	• • Spring	
9	3582118	1	• • Lock ring	
10	3582117	1	• • Ring	
11	3582100	8	• • Disc	
12	3582098	6	• • Disc	
13	3582104	2	• • Disc	
14	3582102	2	• • Ring	
15	3582089	1	• Key	
16	3582077	2	• Needle bearing	
17	3582141	1	• Spacer	
18	3582177	2	• Bearing	
19	(3582209)	1	• Reverse gear	Obsolete part
20	3582080	1	• Friction washer	
21	184083	5	• Roller bearing	(3582082)
22	3582087	3	• Piston ring	
23	(3582212)	1	• Gear	Obsolete part
24	3582113	1	• Ball	
25	3582081	1	• Thrust washer	
26	(3582206)	1	• Lock ring	Obsolete part
27	(3582210)	1	• Spacer	Obsolete part
28	3582090	X	• Shim	TH=0.10mm
	3582092	X	• Shim	TH=0.15mm
	3582095	X	• Shim	TH=0.30mm
	3582096	X	• Shim	TH=0.50mm
29	(3582213)	1	• Intermedi.shaft kit	Obsolete part
30	184083	2	• • Roller bearing	
31	3582127	1	• Ring nut	
32	3582121	1	• O-ring	
33	3582124	1	• Flange	
34	3582051	1	• Sealing	
35	(3582214)	1	• Output shaft	Obsolete part
36	184083	1	• • Roller bearing	
37	11065	2	• • Roller bearing	
38	(3582195)	X	• Shim	TH=0.10mm, Obsolete part
	(3582196)	X	• Shim	TH=0.15mm, Obsolete part
	(3582197)	X	• Shim	TH=0.30mm, Obsolete part
	(3582198)	X	• Shim	TH=0.50mm, Obsolete part
39	3582207	1	• Plate	
40	969405	2	• 6 point socket screw	
41	3584043	1	• Suction pipe	
42	942001	1	• Hex. socket screw	



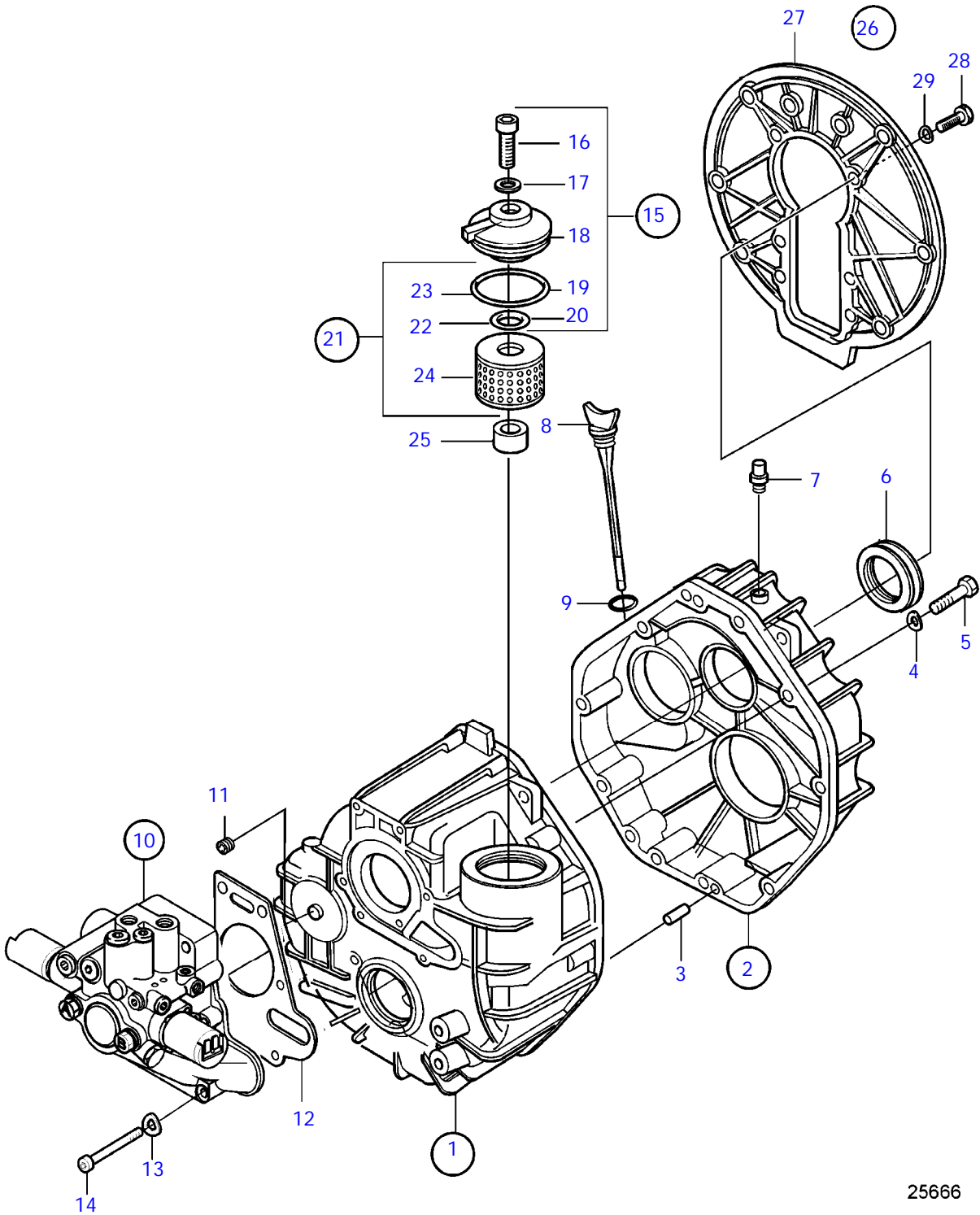
25697

REF	PART NO.	QTY	DESCRIPTION	NOTES
1	21158904	1	Reversing gear kit	
2	3584037	1	• Input shaft	(3582208)
3	3582211	1	• • Shaft	
4	3582112	2	• • Ball	
5	3582108	2	• • Ring	
6	3582106	2	• • Piston	
7	3582110	2	• • Ring	
8	3582114	6	• • Spring	
9	3582118	1	• • Lock ring	
10	3582117	1	• • Ring	
11	3582100	8	• • Disc	
12	3582098	6	• • Disc	
13	3582104	2	• • Disc	
14	3582102	2	• • Ring	
15	3582089	1	• Key	
16	3582077	2	• Needle bearing	
17	3582141	1	• Spacer	
18	3582177	2	• Bearing	
19	(3582209)	1	• Reverse gear	Obsolete part
20	3582080	1	• Friction washer	
21	184083	5	• Roller bearing	(3582082)
22	3582087	3	• Piston ring	
23	3888145	1	• Gear	
24	3582113	1	• Ball	
25	3582081	1	• Thrust washer	
26	(3582206)	1	• Lock ring	Obsolete part
27	(3582210)	1	• Spacer	Obsolete part
28	3582090	X	• Shim	TH=0.10mm
	3582092	X	• Shim	TH=0.15mm
	3582095	X	• Shim	TH=0.30mm
	3582096	X	• Shim	TH=0.50mm
29	3888147	1	• Intermedi.shaft kit	
30	184083	2	• Roller bearing	
31	3582127	1	• Ring nut	
32	3582121	1	• O-ring	
33	3582124	1	• Flange	
34	3582051	1	• Sealing	
35	3888146	1	• Output shaft	
36	184083	1	• • Roller bearing	
37	11065	1	• • Roller bearing	
38	(3582195)	X	• Shim	TH=0.10mm, Obsolete part
	(3582196)	X	• Shim	TH=0.15mm, Obsolete part
	(3582197)	X	• Shim	TH=0.30mm, Obsolete part
	(3582198)	X	• Shim	TH=0.50mm, Obsolete part
39	3582207	1	• Plate	
40	969405	2	• 6 point socket screw	
41	3584043	1	• Suction pipe	
42	942001	1	• Hex. socket screw	



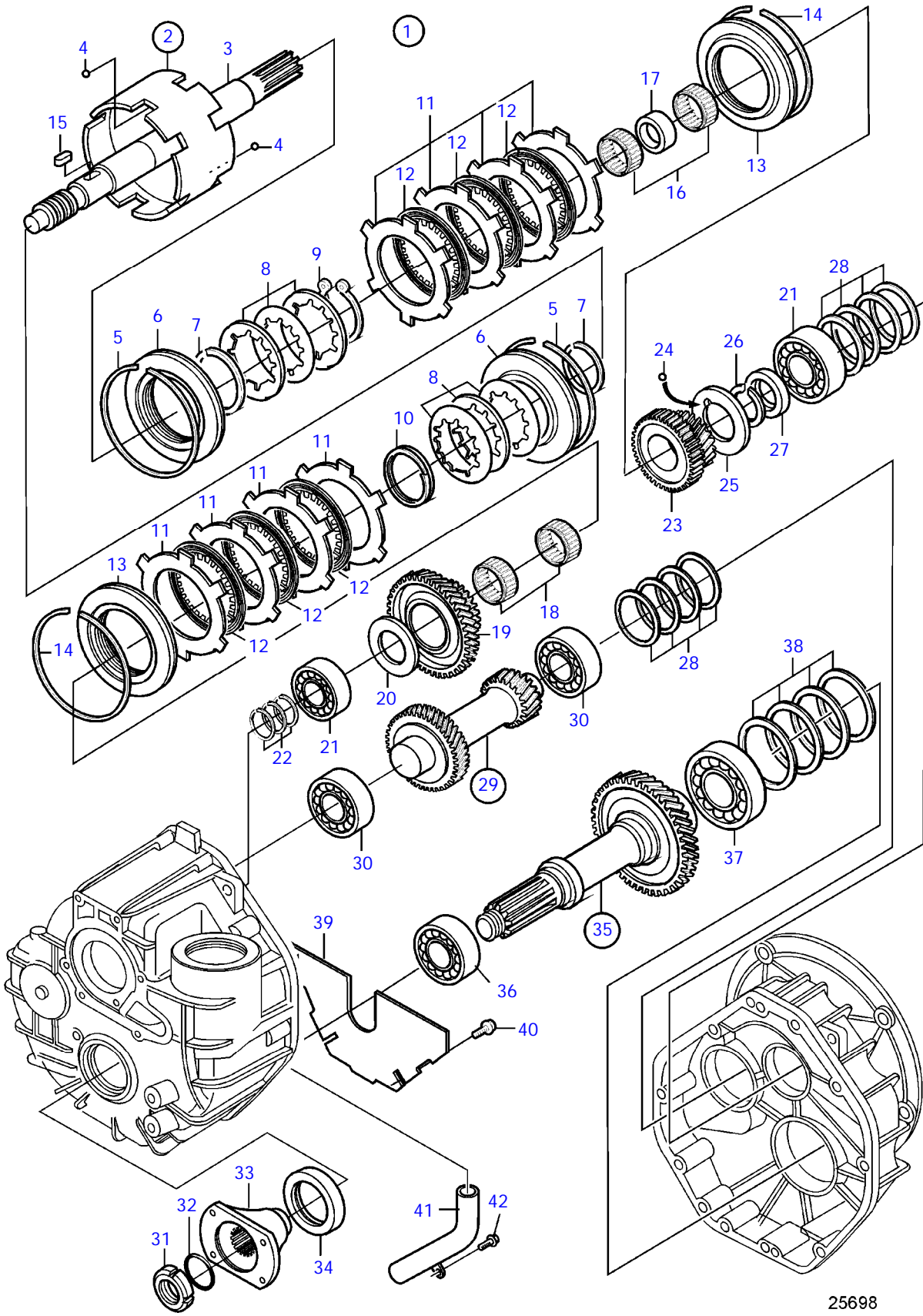
25697

REF	PART NO.	QTY	DESCRIPTION	NOTES
1	21158911	1	Reversing gear kit	
2	3584037	1	• Input shaft	(3582208)
3	3582211	1	• • Shaft	
4	3582112	2	• • Ball	
5	3582108	2	• • Ring	
6	3582106	2	• • Piston	
7	3582110	2	• • Ring	
8	3582114	6	• • Spring	
9	3582118	1	• • Lock ring	
10	3582117	1	• • Ring	
11	3582100	8	• • Disc	
12	3582098	6	• • Disc	
13	3582104	2	• • Disc	
14	3582102	2	• • Ring	
15	3582089	1	• Key	
16	3582077	2	• Needle bearing	
17	3582141	1	• Spacer	
18	3582177	2	• Bearing	
19	(3582209)	1	• Reverse gear	Obsolete part
20	3582080	1	• Friction washer	
21	184083	5	• Roller bearing	(3582082)
22	3582087	3	• Piston ring	
23	3582215	1	• Gear	
24	3582113	1	• Ball	
25	3582081	1	• Thrust washer	
26	(3582206)	1	• Lock ring	Obsolete part
27	(3582210)	1	• Spacer	Obsolete part
28	3582090	X	• Shim	TH=0.10mm
	3582092	X	• Shim	TH=0.15mm
	3582095	X	• Shim	TH=0.30mm
	3582096	X	• Shim	TH=0.50mm
29	(3582216)	1	• Intermedi.shaft kit	Obsolete part
30	184083	2	• • Roller bearing	
31	3582127	1	• Ring nut	
32	3582121	1	• O-ring	
33	3582124	1	• Flange	
34	3582051	1	• Sealing	
35	3582217	1	• Output shaft	
36	11065	1	• • Roller bearing	
37	184083	1	• • Roller bearing	
38	(3582195)	X	• Shim	TH=0.10mm, Obsolete part
	(3582196)	X	• Shim	TH=0.15mm, Obsolete part
	(3582197)	X	• Shim	TH=0.30mm, Obsolete part
	(3582198)	X	• Shim	TH=0.50mm, Obsolete part
39	3582207	1	• Plate	
40	969405	2	• 6 point socket screw	
41	3584043	1	• Suction pipe	
42	942001	1	• Hex. socket screw	



25666

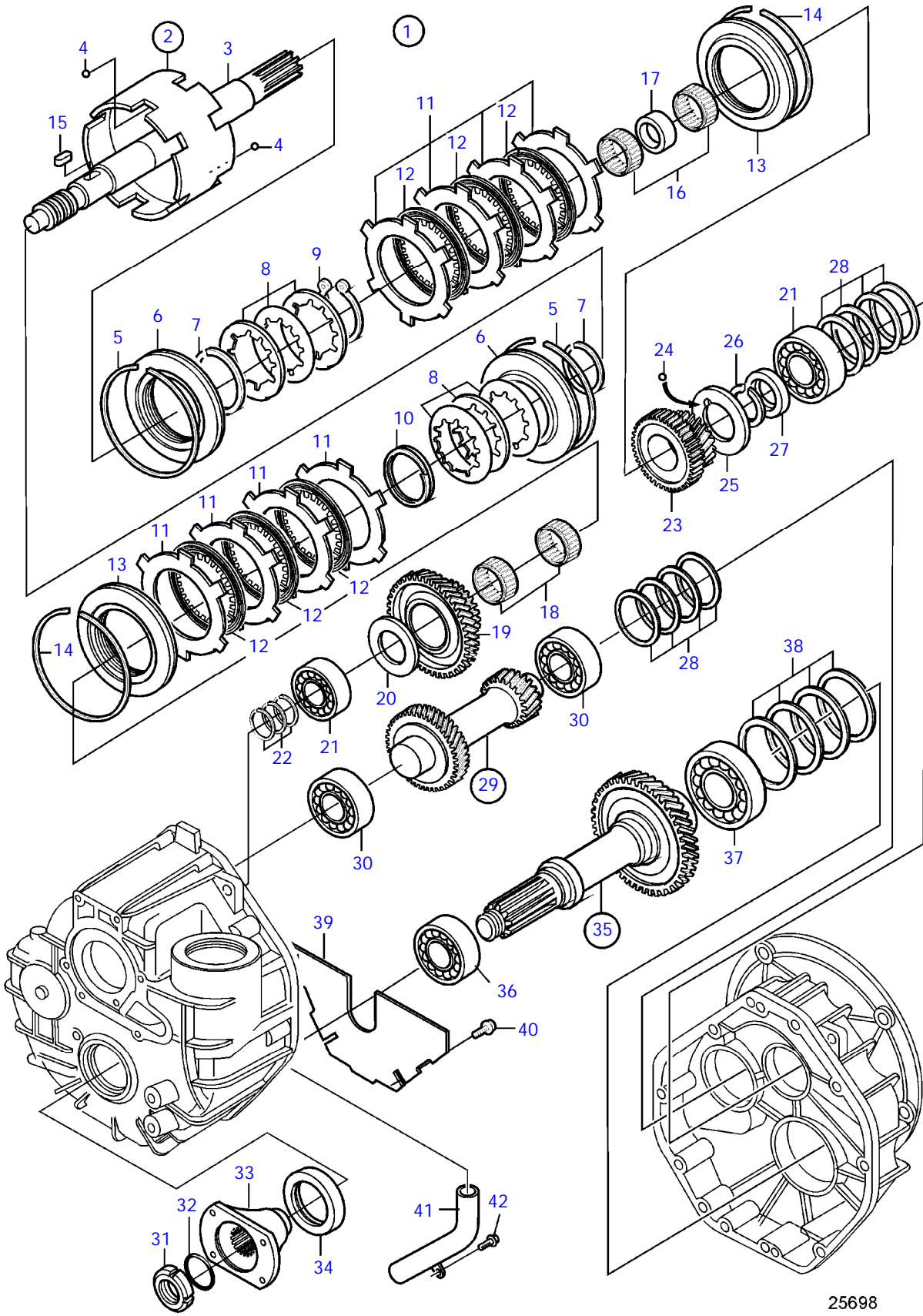
REF	PART NO.	QTY	DESCRIPTION	SEE SEC.	NOTES
1		1	Housing		
			•	36593	Ratio 1.93:1
			•	36592	Ratio 2.48:1
2		1	Housing		
			•	36593	Ratio 1.93:1
			•	36592	Ratio 2.48:1
3	3582045	2	Dowel		
4	941908	10	Spring washer		
5	970949	10	Hexagon screw		
6	3582047	1	Sealing		
7	3582050	1	Valve		
8	3582201	1	Dipstick		
9	3582203	1	• O-ring		
10	21334024	1	Shift control valve		
			•		
			•	36502	
11	3582813	1	• Plug		
12	3582046	1	• Gasket		
13	941907	1	• Spring washer		
14	941761	1	• Hex. socket screw		
15	3582063	1	Filter cap		
16	940142	1	• Hexagon screw		
17	976944	1	• Washer		
18			• Cover		
19	3582065	1	• O-ring		
20	3582064	1	• O-ring		
21	3582069	1	Oil filter		
22	3582064	1	• O-ring		
23	3582065	1	• O-ring		
24		1	• Oil filter		
25	3582049	1	Sealing		
26	21162171	1	Adapter kit		
27	3582305	1	• Cover		
28	970947	1	• • Hexagon screw		
29	941908	1	• • Spring washer		



25698



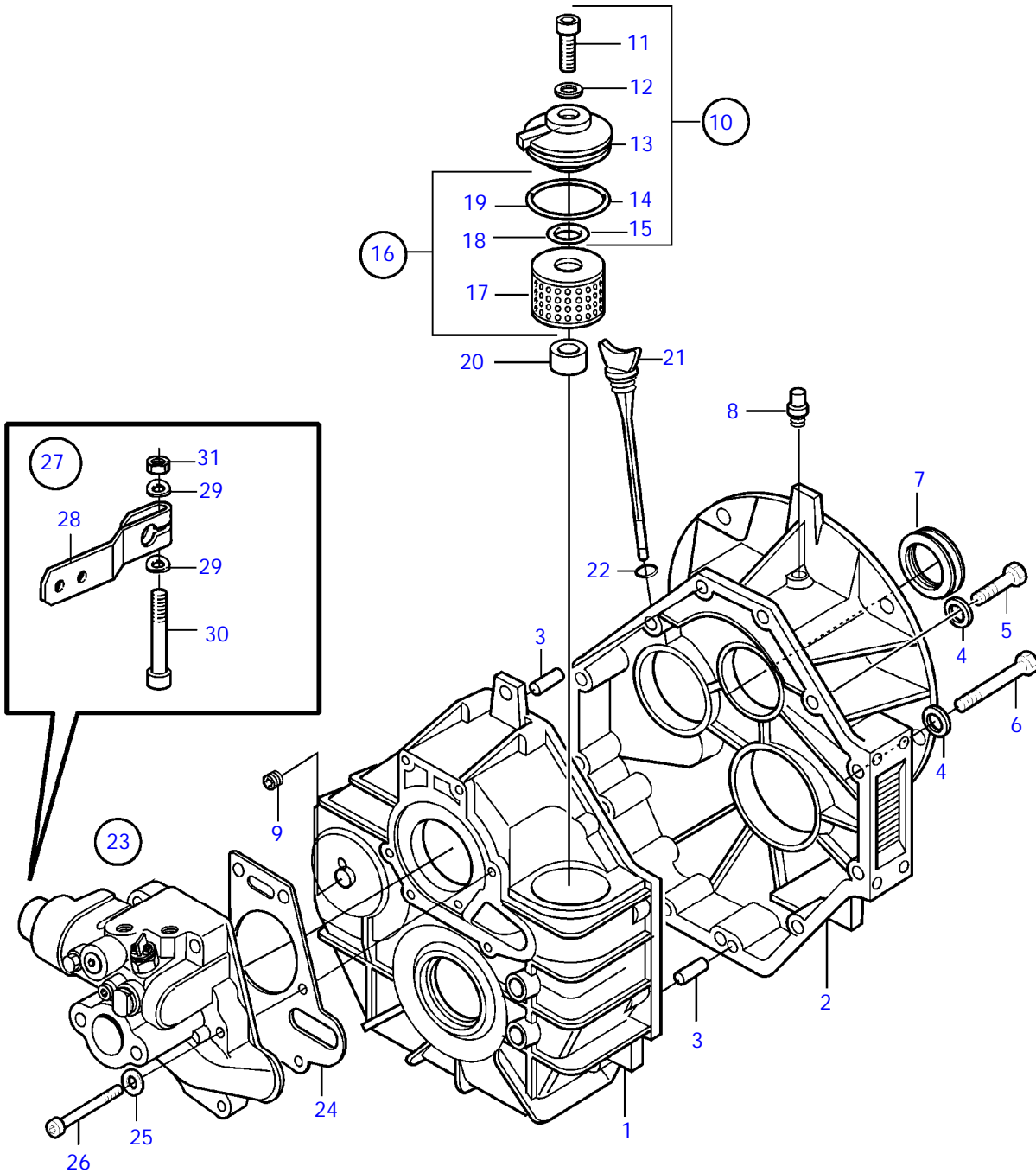
REF	PART NO.	QTY	DESCRIPTION	NOTES
1	(21194640)	1	Reversing gear kit	Obsolete part
2		1	• Input shaft	
3	3584037	1	• • Input shaft	
4	3582112	2	• • Ball	
5	3582108	2	• • Ring	
6	3582106	2	• • Piston	
7	3582110	2	• • Ring	
8	3582114	6	• • Spring	
9	3582118	1	• • Lock ring	
10	3582117	1	• • Ring	
11	3582100	8	• • Disc	
12	3582098	6	• • Disc	
13	3582104	2	• • Disc	
14	3582102	2	• • Ring	
15	3582089	1	• Key	
16	3582077	2	• Needle bearing	
17	3582141	1	• Spacer	
18	3582177	2	• Bearing	
19	(3582209)	1	• Reverse gear	Obsolete part
20	3582080	1	• Friction washer	
21	184083	5	• Roller bearing	(3582082)
22	3582087	3	Piston ring	
23	3888145	1	• Gear	
24	3582113	1	• Ball	
25	3582081	1	• Thrust washer	
26	(3582206)	1	• Lock ring	Obsolete part
27	(3582210)	1	• Spacer	Obsolete part
28	3582090	X	• Shim	TH=0.10mm
	3582092	X	• Shim	TH=0.15mm
	3582095	X	• Shim	TH=0.30mm
	3582096	X	• Shim	TH=0.50mm
29	3888147	1	• Intermedi.shaft kit	
30	184083	1	• • Roller bearing	
31	3582127	1	• Ring nut	
32	3582121	1	• O-ring	
33	3582124	1	• Flange	
34	3582051	1	• Sealing	
35	3888146	1	• Output shaft	
36	184083	1	• • Roller bearing	
37	11065	1	• • Roller bearing	
38	(3582195)	X	• Shim	TH=0.10mm, Obsolete part
	(3582196)	X	• Shim	TH=0.15mm, Obsolete part
	(3582197)	X	• Shim	TH=0.30mm, Obsolete part
	(3582198)	X	• Shim	TH=0.50mm, Obsolete part
39	3582207	1	• Plate	
40	969405	2	• 6 point socket screw	
41	3584043	1	• Suction pipe	
42	942001	1	• Hex. socket screw	



25698

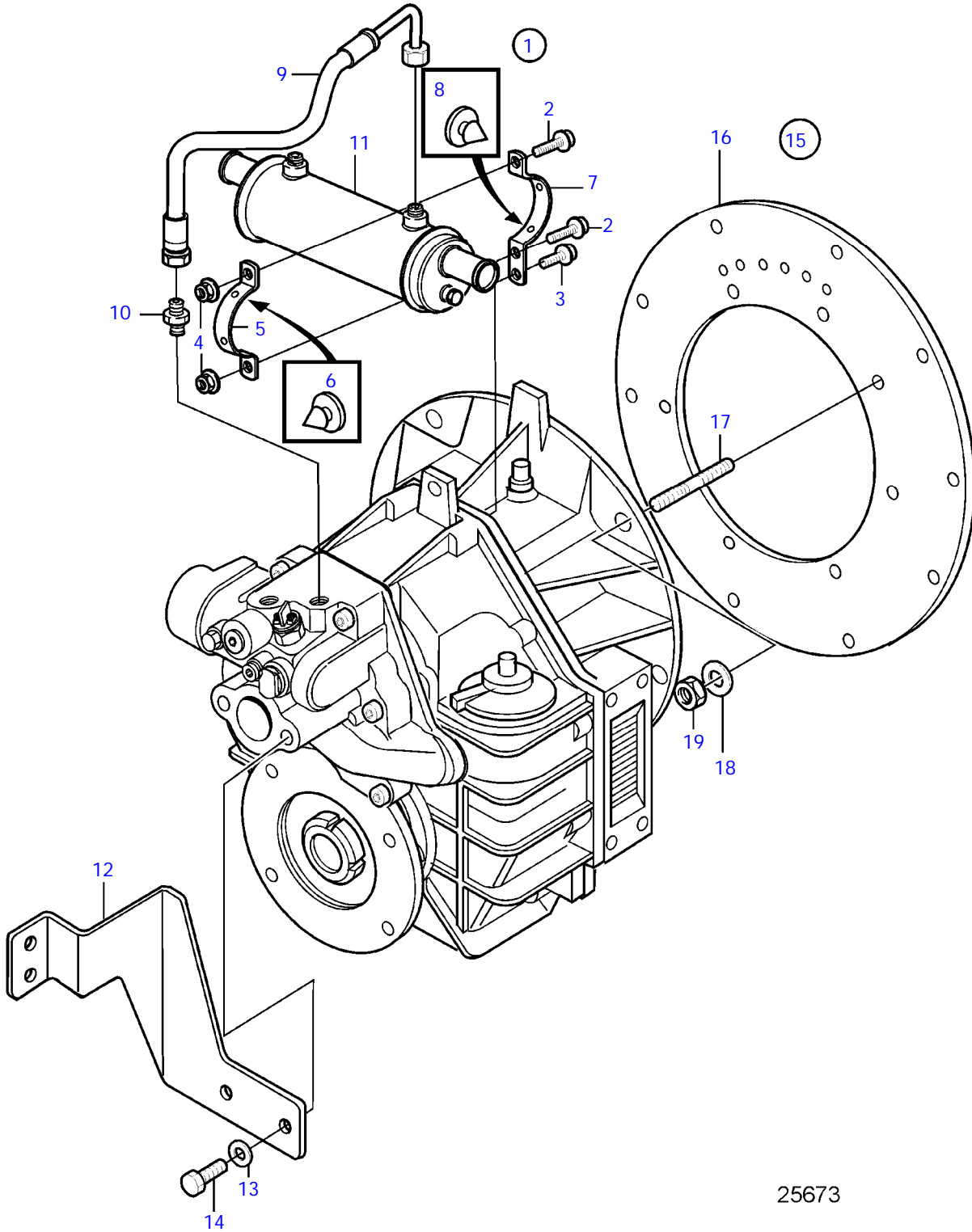


REF	PART NO.	QTY	DESCRIPTION	NOTES
1	(21194637)	1	Reversing gear kit	Obsolete part
2		1	• Input shaft	
3	3584037	1	• • Input shaft	
4	3582112	2	• • Ball	
5	3582108	2	• • Ring	
6	3582106	2	• • Piston	
7	3582110	2	• • Ring	
8	3582114	6	• • Spring	
9	3582118	1	• • Lock ring	
10	3582117	1	• • Ring	
11	3582100	8	• • Disc	
12	3582098	6	• • Disc	
13	3582104	2	• • Disc	
14	3582102	2	• • Ring	
15	3582089	1	• Key	
16	3582077	2	• Needle bearing	
17	3582141	1	• Spacer	
18	3582177	2	• Bearing	
19	(3582209)	1	• Reverse gear	Obsolete part
20	3582080	1	• Friction washer	
21	184083	5	• Roller bearing	(3582082)
22	3582087	3	Piston ring	
23	3807726	1	• Gear	
24	3582113	1	• Ball	
25	3582081	1	• Thrust washer	
26	(3582206)	1	• Lock ring	Obsolete part
27	(3582210)	1	• Spacer	Obsolete part
28	3582090	X	• Shim	TH=0,10mm
	3582092	X	• Shim	TH=0,15mm
	3582095	X	• Shim	TH=0,30mm
	3582096	X	• Shim	TH=0,50mm
29	3807727	1	• Intermedi.shaft kit	
30	184083	2	• • Roller bearing	
31	3582127	1	• Ring nut	
32	3582121	1	• O-ring	
33	3582124	1	• Flange	
34	3582051	1	• Sealing	
35	3807728	1	• Output shaft	
36	184083	1	• • Roller bearing	
37	11065	1	• • Roller bearing	
38	(3582195)	X	• Shim	TH=0,10mm, Obsolete part
	(3582196)	X	• Shim	TH=0,15mm, Obsolete part
	(3582197)	X	• Shim	TH=0,30mm, Obsolete part
	(3582198)	X	• Shim	TH=0,50mm, Obsolete part
39	3582207	1	• Plate	
40	969405	2	• 6 point socket screw	
41	3584043	1	• Suction pipe	
42	942001	1	• Hex. socket screw	



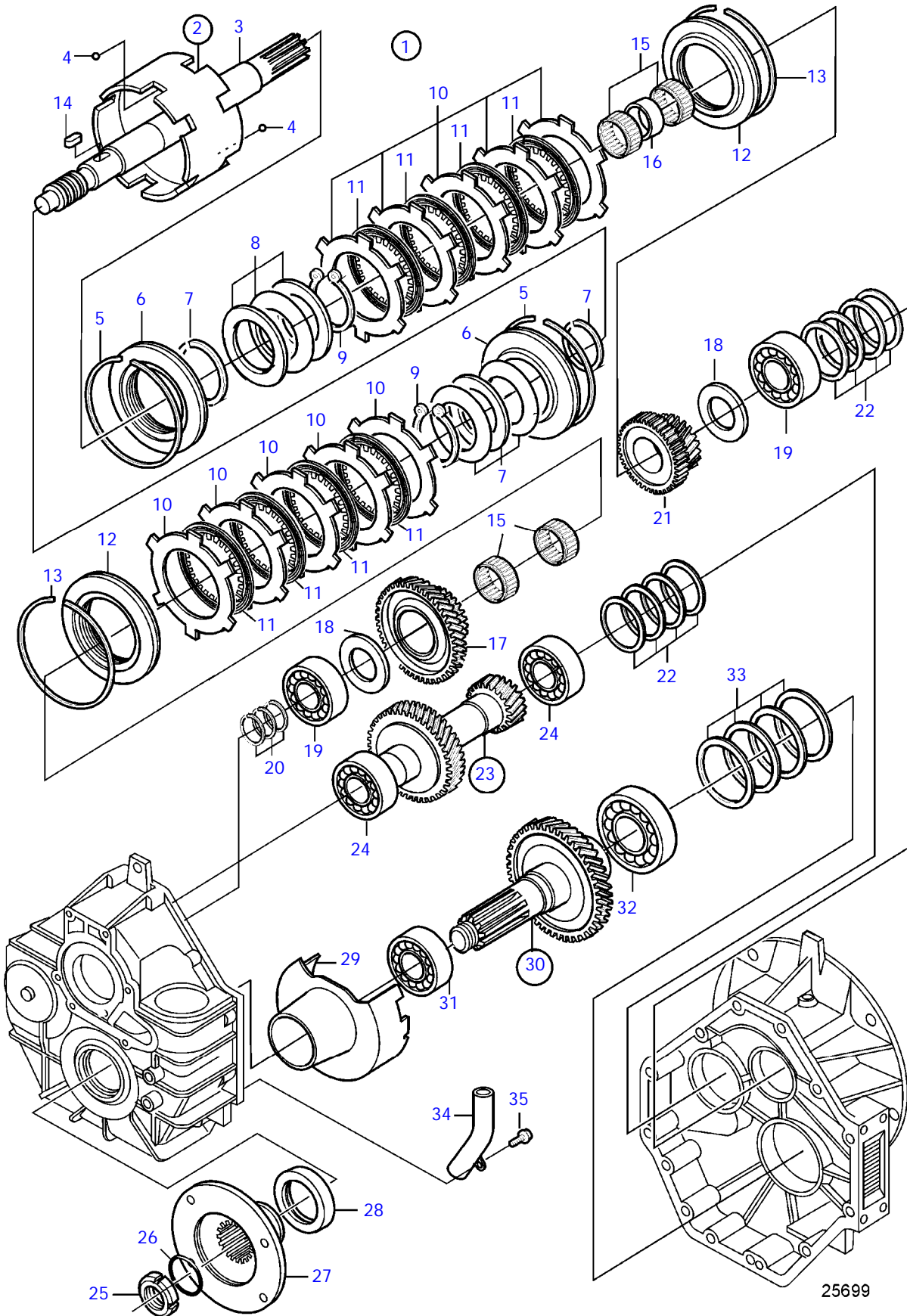
25669

REF	PART NO.	QTY	DESCRIPTION	SEE SEC.	NOTES
1	(3582059)	1	Housing		Obsolete part
			•	36619	Ratio 1.51:1
			•	36622	Ratio 2.03:1
			•	36623	Ratio 2.43:1
2	3582056	1	Housing		Ratio 1.51:1
			•	36619	Ratio 2.03:1
			•	36622	Ratio 2.43:1
			•	36623	
3	(3582044)	2	Locating pin		Obsolete part
4	941908	12	Spring washer		
5	970949	8	Hexagon screw		
6	947790	4	Flange screw		
7	3582047	1	Sealing		
8	3582050	1	Valve		
9	3581973	1	Plug		
10	3582063	1	Filter cap		
11	940142	1	• Hexagon screw		
12	976944	1	• Washer		
13			• Cover		
14	3582065	1	• O-ring		
15	3582064	1	• O-ring		
16	3582069	1	Oil filter, kit		
17		1	• Oil filter		
18	3582064	1	• O-ring		
19	3582065	1	• O-ring		
20	3582049	1	Sealing		
21	3582067	1	Dipstick		
22	3582203	1	• O-ring		
23	3582054	1	Valve		Replaced by 21116465
	21116465	1	Shift control valve		
24	3582046	1	• Gasket		
25	941907	6	• Spring washer		
26	941761	6	• Hex. socket screw		
27	21228853	1	• Engagement lever kit		
28	3582055	1	• • Lever fork		
29	941907	2	• • Spring washer		
30	941761	1	• • Hex. socket screw		
31	963106	1	• • Lock nut		



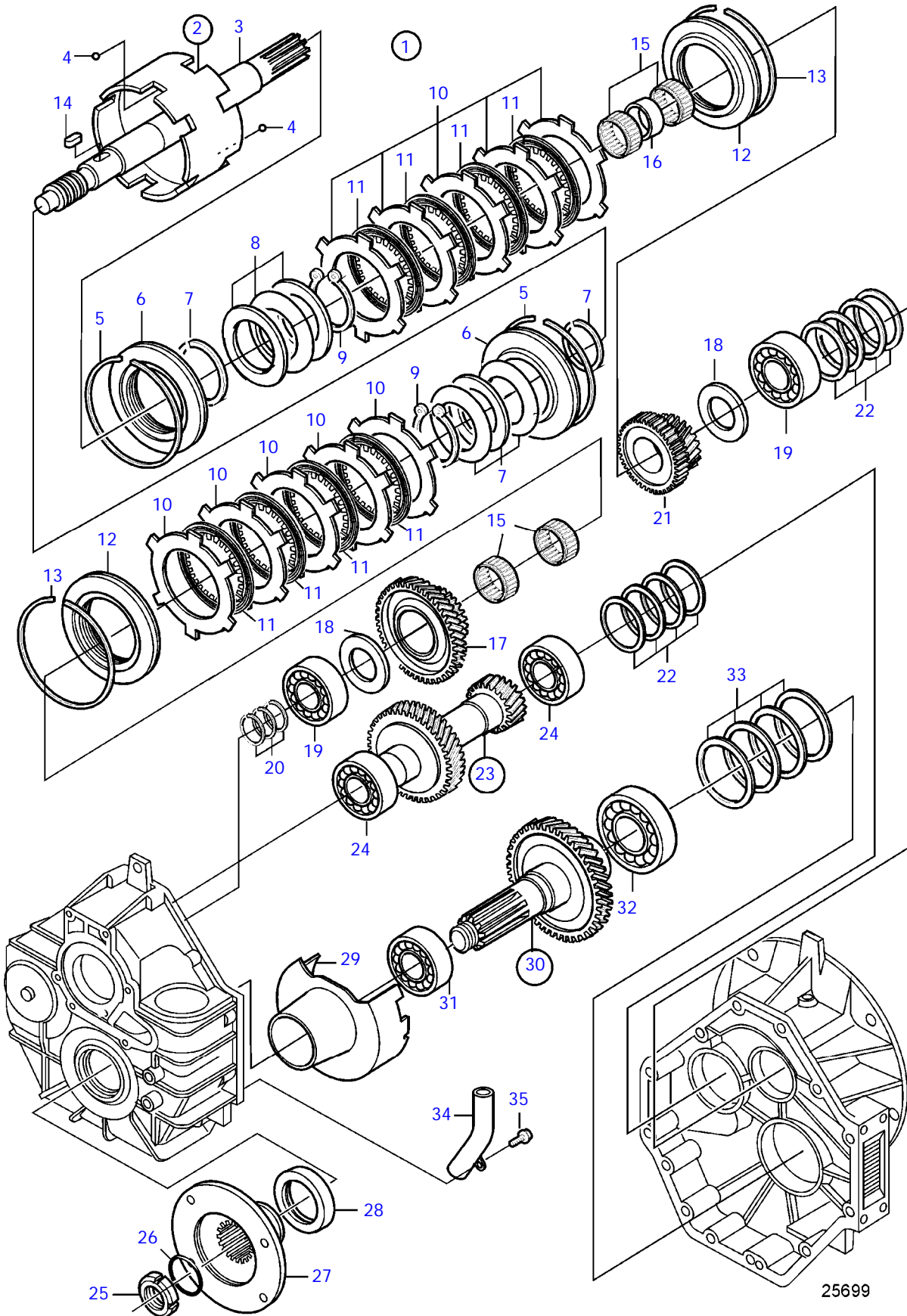
25673

REF	PART NO.	QTY	DESCRIPTION	NOTES
1	3582180	2	Bracket, kit	
2	946329	4	• Flange screw	
3		2	• Screw	
4	971089	4	• Lock nut	
5		2	• Bracket	
6		2	• Plug	
7		2	• Bracket	
8		2	• Plug	
9	3582176	2	Hose	
10	3582330	2	Nipple	
11	872626	1	Oil cooler	Replaced by 21116456
	21116456	1	Oil cooler kit	
12	3581851	1	Bracket	
13	976945	2	Washer	
14	940133	2	Hexagon screw	
15	21112812	1	Adapter kit	
16	3582175	1	• Adapter	
17	924075	6	• Stud	
18	942336	6	• Spring washer	
19	971071	6	• Hexagon nut	



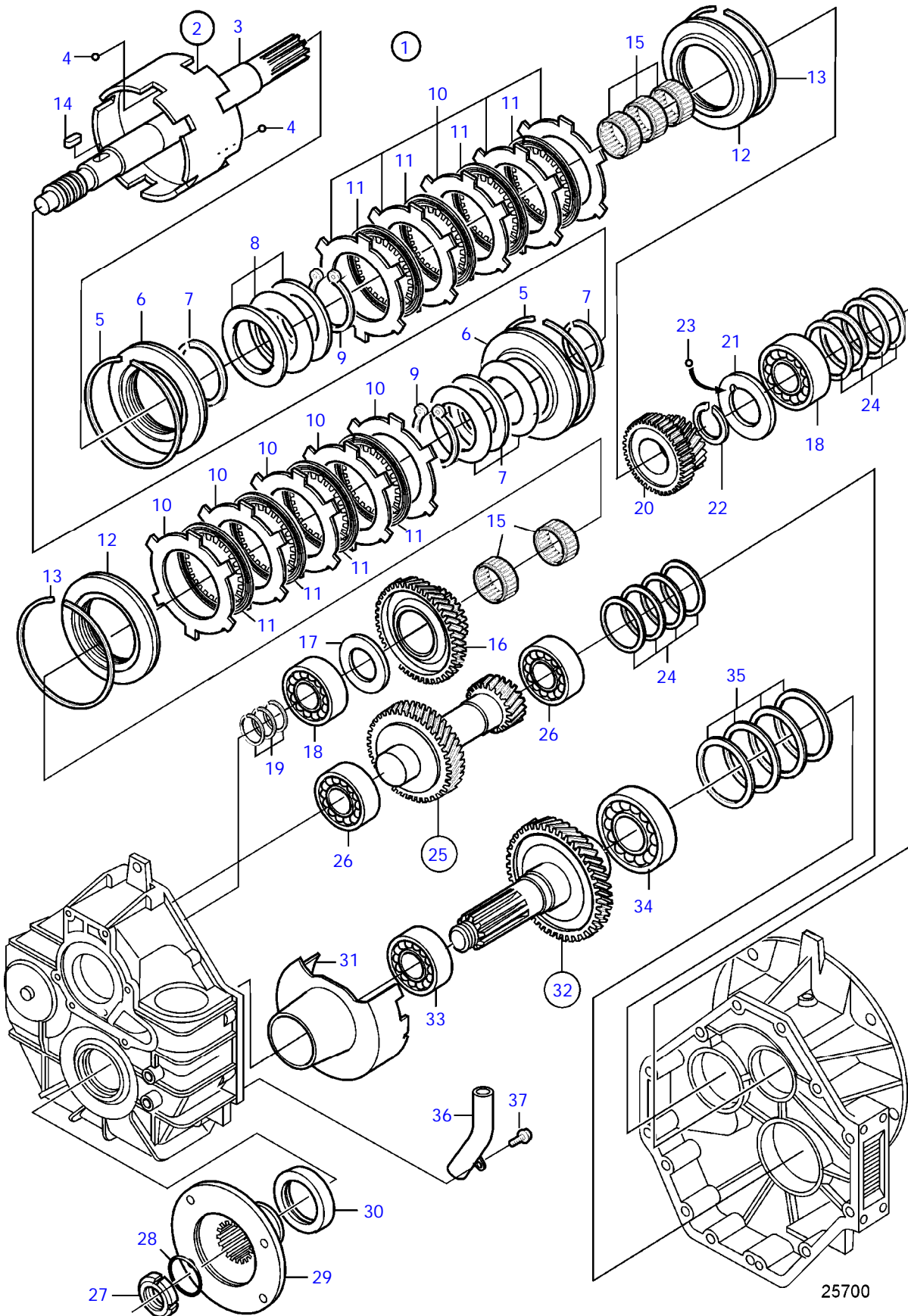
25699

REF	PART NO.	QTY	DESCRIPTION	NOTES
1	21116400	1	Reversing gear kit	
2	(3584033)	1	• Input shaft	Obsolete part
3	(3584035)	1	• • Input shaft	Obsolete part
4	3582112	2	• • Ball	
5	3582108	2	• • Ring	
6	3582106	2	• • Piston	Replaced by 3584034
	3584034	1	• • Piston	
7	3582110	2	• • Ring	
8	3582114	6	• • Spring	
9	3582117	2	• • Ring	
10	3582100	10	• • Disc	
11	3582098	8	• • Disc	
12	3582104	2	• • Disc	
13	3582102	2	• • Ring	
14	3582089	1	• Key	
15	3582177	4	• Bearing	
16	3582140	1	• Spacer	
17	3582078	1	• Gear	Replaced by 3883932, 3584034, 3582117
	3883932	1	• Gear	
18	3582080	2	• Friction washer	
19	184083	4	• Roller bearing	
20	3582087	3	• Piston ring	
21	3582144	1	• Gear	Replaced by 3883933, 3584034, 3582117
	3883933	1	• Gear	
22	3582090	X	• Shim	TH=0.10mm
	3582092	X	• Shim	TH=0.15mm
	3582095	X	• Shim	TH=0.30mm
	3582096	X	• Shim	TH=0.50mm
23	(3582145)	1	• Intermedi.shaft kit	Obsolete part
24	184083	2	• • Roller bearing	
25	3582127	1	• Ring nut	
26	3582121	1	• O-ring	
27	3582125	1	• Flange	
28	3582051	1	• Sealing	
29	3582070	1	• Baffle	
30	(3582146)	1	• Output shaft	Obsolete part
31	184083	1	• • Roller bearing	Obsolete part
32	(11084)	1	• • Roller bearing	Obsolete part
33	(3582132)	X	• Shim	TH=0.10mm, Obsolete part
	3582134	X	• Shim	TH=0.15mm
	3582136	X	• Shim	TH=0.30mm
	(3582138)	X	• Shim	TH=0.50mm, Obsolete part
34	21115574	1	• Suction pipe	
35	942001	1	• Hex. socket screw	

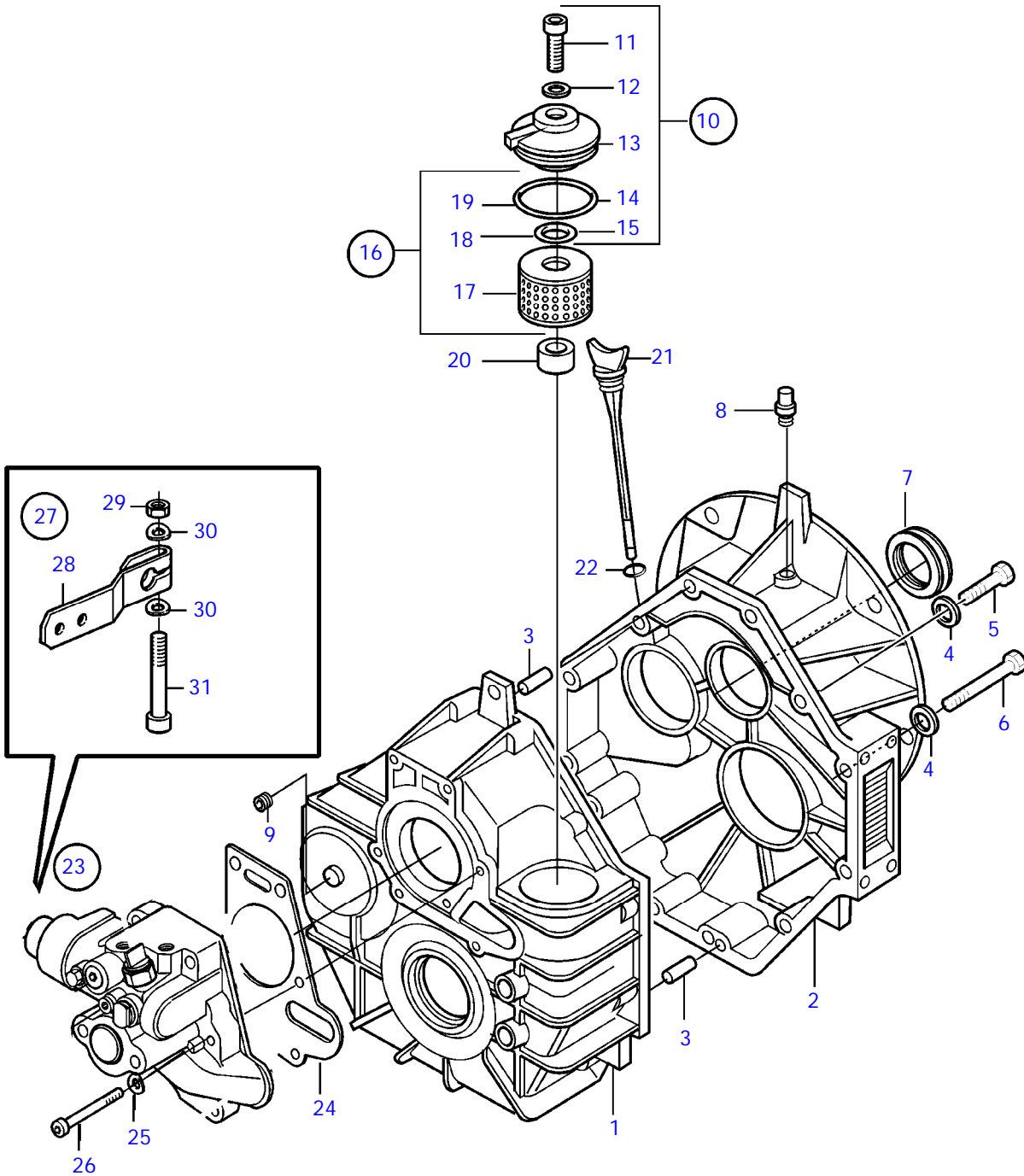


25699

REF	PART NO.	QTY	DESCRIPTION	NOTES
1	21116401	1	Reversing gear kit	
2	(3584033)	1	• Input shaft	Obsolete part
3	(3584035)	1	• • Input shaft	Obsolete part
4	3582112	2	• • Ball	
5	3582108	2	• • Ring	
6	3582106	2	• • Piston	Replaced by 3584034
	3584034	1	• • Piston	
7	3582110	2	• • Ring	
8	3582114	6	• • Spring	
9	3582117	2	• • Ring	
10	3582100	10	• • Disc	
11	3582098	8	• • Disc	
12	3582104	2	• • Disc	
13	3582102	2	• • Ring	
14	3582089	1	• Key	
15	3582177	4	• Bearing	
16	3582140	1	• Spacer	
17	3582078	1	• Gear	Replaced by 3883932, 3584034, 3582117
	3883932	1	• Gear	
18	3582080	2	• Friction washer	
19	184083	4	• Roller bearing	
20	3582087	3	• Piston ring	
21	3582150	1	• Gear	Replaced by 3883934, 3584034, 3582117
	3883934	1	• Gear	
22	3582090	X	• Shim	TH=0.10mm
	3582092	X	• Shim	TH=0.15mm
	3582095	X	• Shim	TH=0.30mm
	3582096	X	• Shim	TH=0.50mm
23	(3582151)	1	• Intermedi.shaft kit	Obsolete part
24	184083	2	• • Roller bearing	
25	3582127	1	• Ring nut	
26	3582121	1	• O-ring	
27	3582125	1	• Flange	
28	3582051	1	• Sealing	
29	3582070	1	• Baffle	
30	3582152	1	• Output shaft	
31	184083	1	• • Roller bearing	
32	(11084)	1	• • Roller bearing	Obsolete part
33	(3582132)	X	• Shim	TH=0.10mm, Obsolete part
	3582134	X	• Shim	TH=0.15mm
	3582136	X	• Shim	TH=0.30mm
	(3582138)	X	• Shim	TH=0.50mm, Obsolete part
34	21115574	1	• Suction pipe	
35	942001	1	• Hex. socket screw	

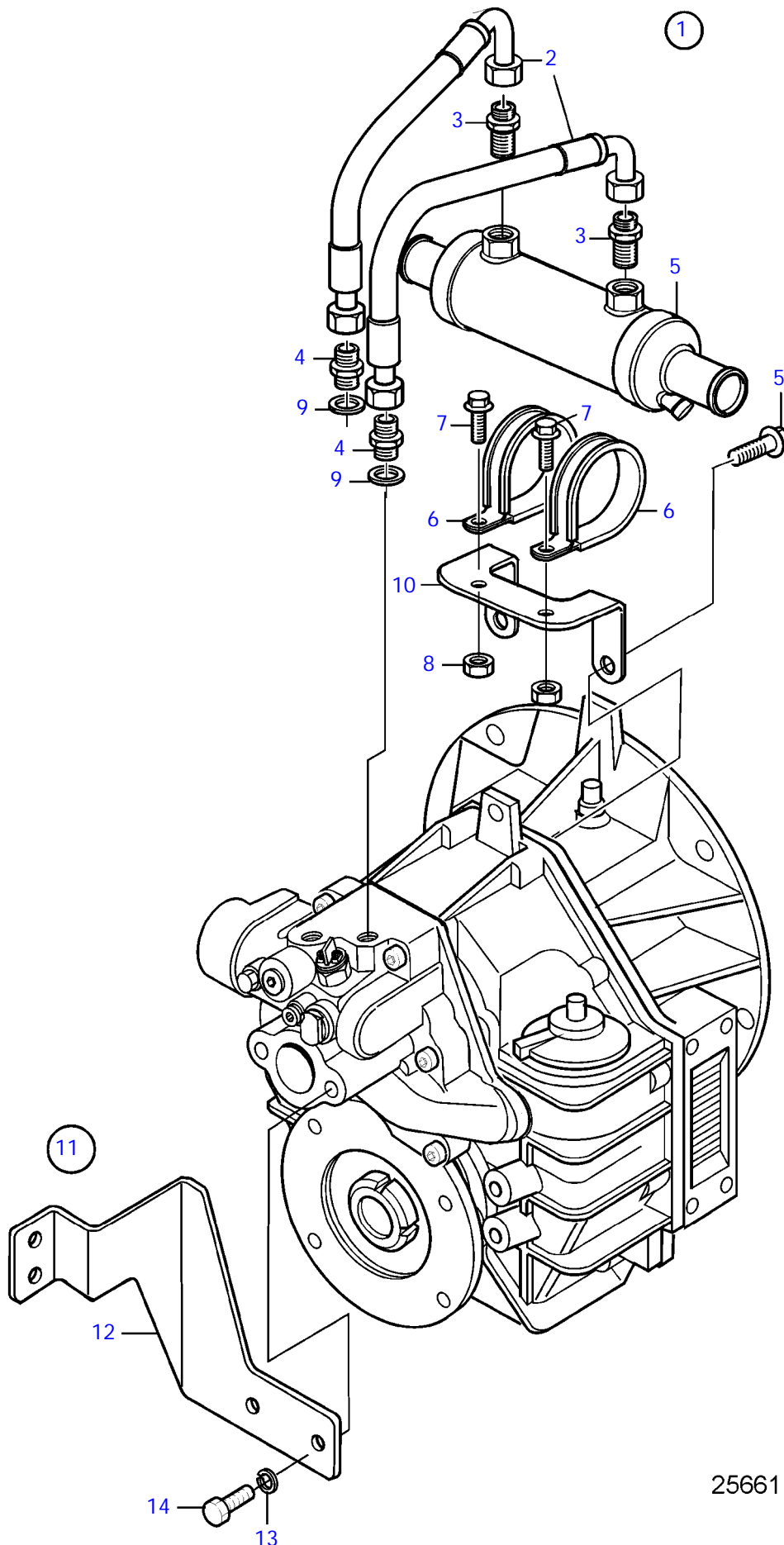


REF	PART NO.	QTY	DESCRIPTION	NOTES
1	21116402	1	Reversing gear kit	
2	3584047	1	• Input shaft	
3	(3584046)	1	• • Input shaft	Obsolete part
4	3582112	2	• • Ball	
5	3582108	2	• • Ring	
6	3582106	2	• • Piston	Replaced by 3584034
	3584034	1	• • Piston	
7	3582110	2	• • Ring	
8	3582114	6	• • Spring	
9	3582117	2	• • Ring	
10	3582100	10	• • Disc	
11	3582098	8	• • Disc	
12	3582104	2	• • Disc	
13	3582102	2	• • Ring	
14	3582089	1	• Key	
15	3582177	5	• Bearing	
16	3582078	1	• Gear	Replaced by 3883932, 3584034, 3582117
	3883932	1	• Gear	
17	3582080	1	• Friction washer	
18	184083	2	• Roller bearing	
19	3582087	3	• Piston ring	
20	3582156	1	• Gear	Replaced by 3883935, 3584034, 3582117
	3883935	1	• Gear	
21	3582081	1	• Thrust washer	
22	3582143	1	• Lock ring	
23	3582113	1	• Ball	
24	3582090	X	• Shim	TH=0.10mm
	3582092	X	• Shim	TH=0.15mm
	3582095	X	• Shim	TH=0,30mm
	3582096	X	• Shim	TH=0.50mm
25	(3843660)	1	• Intermedi.shaft kit	Obsolete part
26	184083	2	• • Roller bearing	
27	3582127	1	• Ring nut	
28	3582121	1	• O-ring	
29	3582125	1	• Flange	
30	3582051	1	• Sealing	
31	3582070	1	• Baffle	
32	3582158	1	• Output shaft	
33	184083	1	• • Roller bearing	
34	(11084)	1	• • Roller bearing	Obsolete part
35	(3582132)	X	• Shim	TH=0.10mm, Obsolete part
	3582134	X	• Shim	TH=0.15mm
	3582136	X	• Shim	TH=0,30mm
	(3582138)	X	• Shim	TH=0,50mm, Obsolete part
36	21115574	1	• Suction pipe	
37	942001	1	• Hex. socket screw	



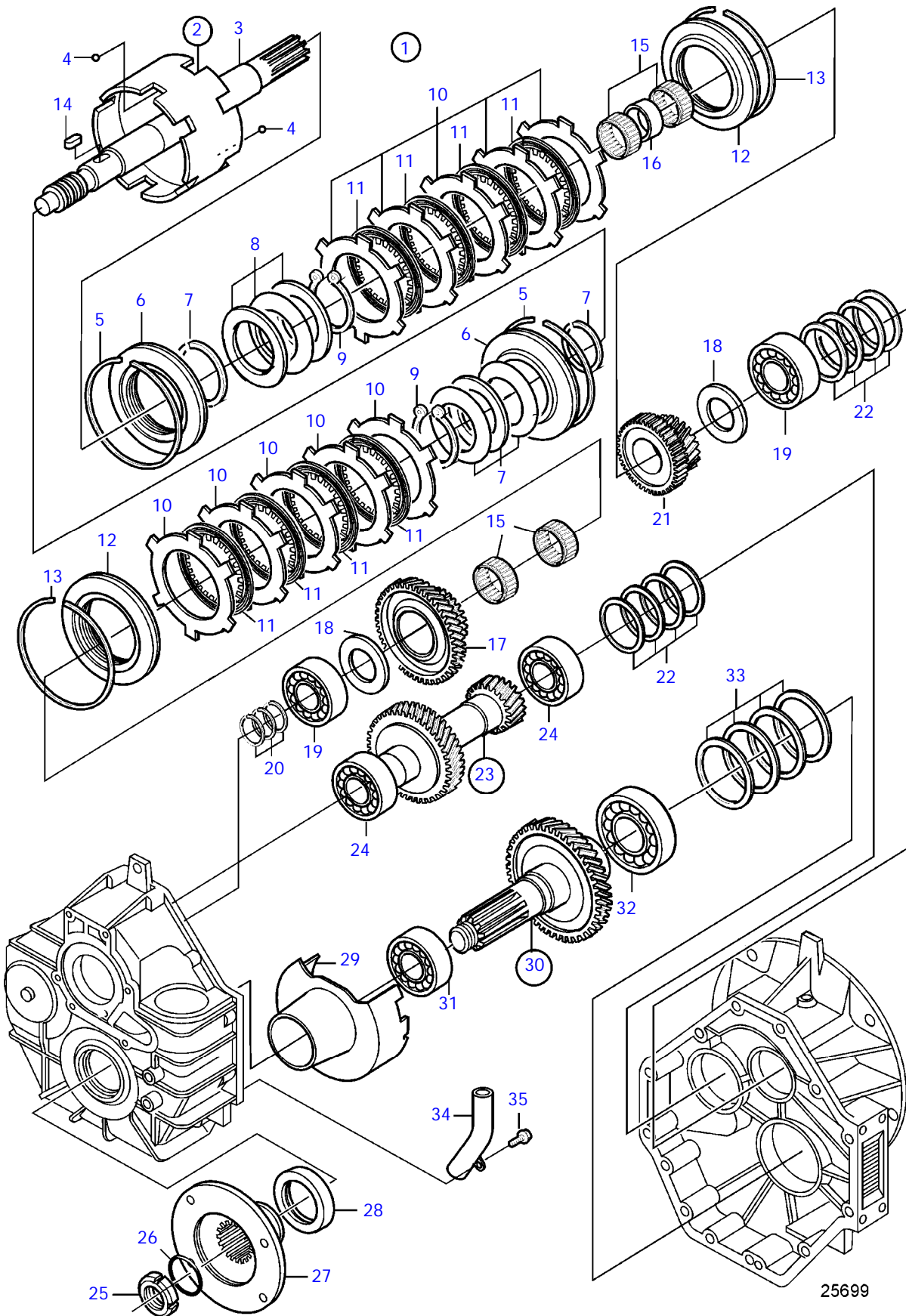
25662

REF	PART NO.	QTY	DESCRIPTION	SEE SEC.	NOTES
1	21116868	1	Housing		
			•	36620	Ratio 1.51:1
			•	36621	Ratio 2.03:1
2	3582056	1	Housing		
			•	36620	Ratio 1.51:1
			•	36621	Ratio 2.03:1
3	(3582044)	2	Locating pin		Obsolete part
4	941908	12	Spring washer		
5	970949	8	Hexagon screw		
6	947790	4	Flange screw		
7	3582047	1	Sealing		
8	3582050	1	Valve		
9	3581973	1	Plug		
10	3582063	1	Filter cap		
11	940142	1	• Hexagon screw		
12	976944	1	• Washer		
13			• Cover		
14	3582065	1	• O-ring		
15	3582064	1	• O-ring		
16	3582069	1	Oil filter, kit		
17		1	• Oil filter		
18	3582064	1	• O-ring		
19	3582065	1	• O-ring		
20	3582049	1	Sealing		
21	3582067	1	Dipstick		
22	3582203	1	• O-ring		
23	21116465	1	Shift control valve		
24	3582046	1	• Gasket		
25	941907	6	• Spring washer		
26	941761	6	• Hex. socket screw		
27	21228853	1	• Engagement lever kit		
28	3582055	1	• • Lever fork		
29	963106	1	• • Lock nut		
30	941907	2	• • Spring washer		
31	941761	1	• • Hex. socket screw		



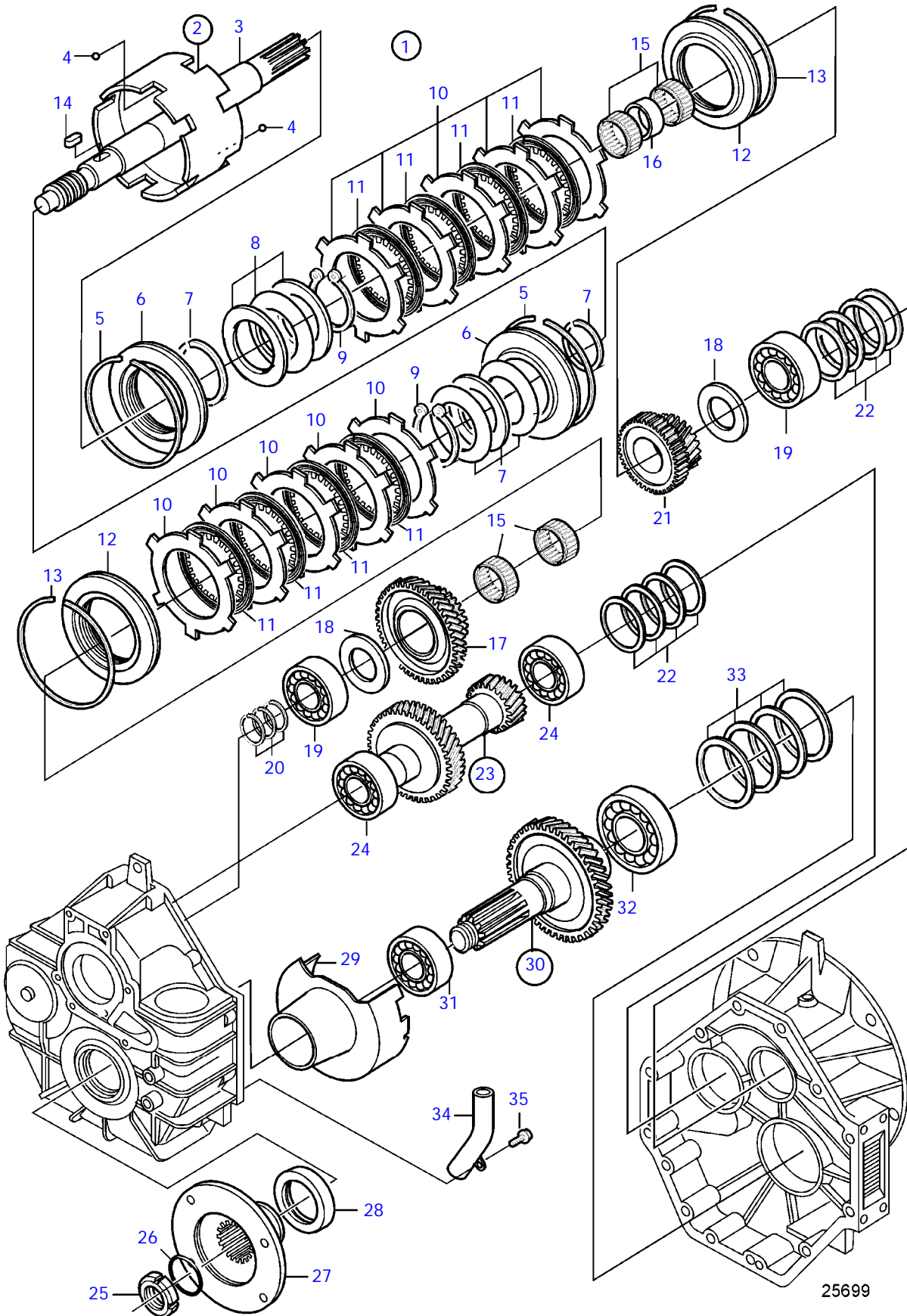
25661

REF	PART NO.	QTY	DESCRIPTION
1	21116456	1	Oil cooler kit, kit
2	21148614	2	• Hose
3	941750	2	• Nipple
4	963959	2	• Nipple
5	21112814	1	• Oil cooler
6	21149056	2	• Clamp
7	970948	2	• Hexagon screw
8	971071	2	• Hexagon nut
9	947623	2	• Gasket
10		1	• Bracket
11	21112815	1	Bracket kit
12	3581851	1	• Bracket
13	942336	2	• Spring washer
14	940133	2	• Hexagon screw



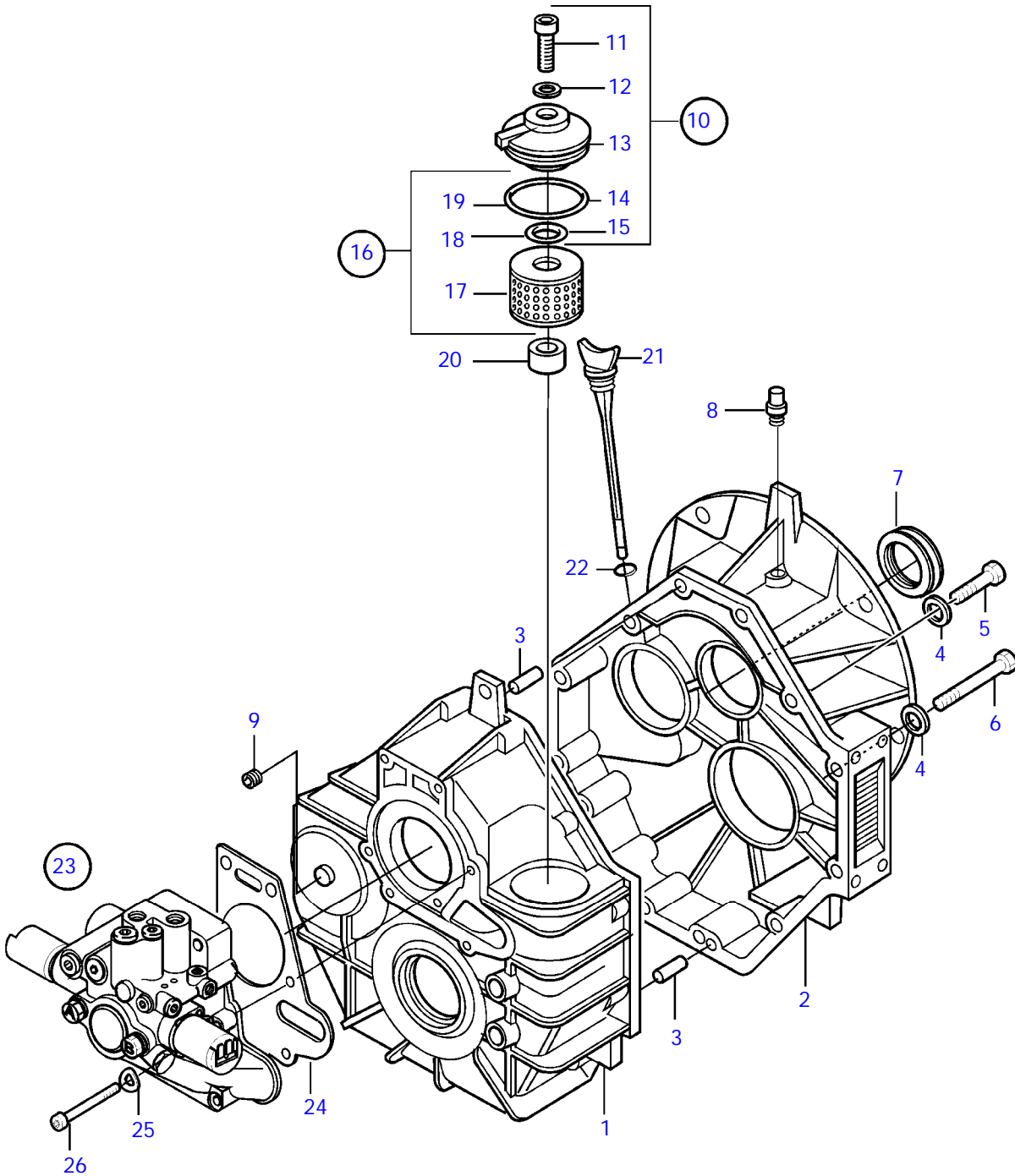
25699

REF	PART NO.	QTY	DESCRIPTION	NOTES
1	21116400	1	Reversing gear kit	
2	(3584033)	1	• Input shaft	Obsolete part
3	(3584035)	1	• • Input shaft	Obsolete part
4	3582112	2	• • Ball	
5	3582108	2	• • Ring	
6	3582106	2	• • Piston	
7	3582110	2	• • Ring	
8	3582114	6	• • Spring	
9	3582117	2	• • Ring	
10	3582100	10	• • Disc	
11	3582098	8	• • Disc	
12	3582104	2	• • Disc	
13	3582102	2	• • Ring	
14	3582089	1	• Key	
15	3582177	4	• Bearing	
16	3582140	1	• Spacer	
17	3883932	1	• Gear	
18	3582080	2	• Friction washer	
19	184083	4	• Roller bearing	
20	3582087	3	• Piston ring	
21	3883933	1	• Gear	
22	3582090	X	• Shim	TH=0.10mm
	3582092	X	• Shim	TH=0.15mm
	3582095	X	• Shim	TH=0,30mm
	3582096	X	• Shim	TH=0,50mm
23	(3582145)	1	• Intermedi.shaft kit	Obsolete part
24	184083	2	• • Roller bearing	
25	3582127	1	• Ring nut	
26	3582121	1	• O-ring	
27	3582125	1	• Flange	
28	3582051	1	• Sealing	
29	3582070	1	• Baffle	
30	(3582146)	1	• Output shaft	Obsolete part
31	(11084)	1	• • Roller bearing	Obsolete part
32	184083	1	• • Roller bearing	Obsolete part
33	(3582132)	X	• Shim	TH=0.10mm, Obsolete part
	3582134	X	• Shim	TH=0.15mm
	3582136	X	• Shim	TH=0,30mm
	(3582138)	X	• Shim	TH=0,50mm, Obsolete part
34	21115574	1	• Suction pipe	
35	942001	1	• Hex. socket screw	



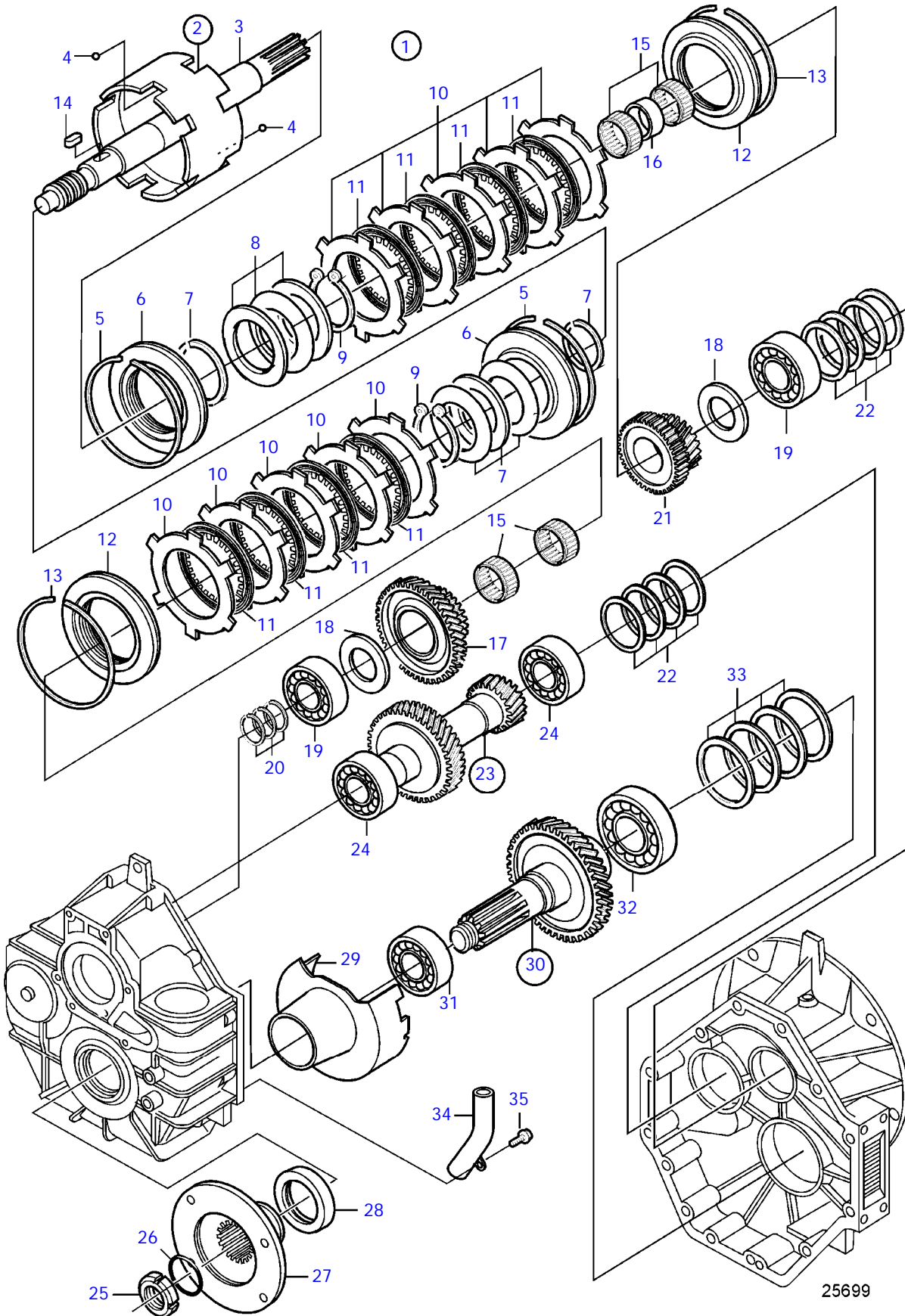
25699

REF	PART NO.	QTY	DESCRIPTION	NOTES
1	21116401	1	Reversing gear kit	
2	(3584033)	1	• Input shaft	Obsolete part
3	(3584035)	1	• • Input shaft	Obsolete part
4	3582112	2	• • Ball	
5	3582108	2	• • Ring	
6	3582106	2	• • Piston	
7	3582110	2	• • Ring	
8	3582114	6	• • Spring	
9	3582117	2	• • Ring	
10	3582100	10	• • Disc	
11	3582098	8	• • Disc	
12	3582104	2	• • Disc	
13	3582102	2	• • Ring	
14	3582089	1	• Key	
15	3582177	4	• Bearing	
16	3582140	1	• Spacer	
17	3883932	1	• Gear	
18	3582080	2	• Friction washer	
19	184083	4	• Roller bearing	
20	3582087	3	• Piston ring	
21	3883934	1	• Gear	
22	3582090	X	• Shim	TH=0.10mm
	3582092	X	• Shim	TH=0.15mm
	3582095	X	• Shim	TH=0,30mm
	3582096	X	• Shim	TH=0,50mm
23	(3582151)	1	• Intermedi.shaft kit	Obsolete part
24	184083	2	• • Roller bearing	
25	3582127	1	• Ring nut	
26	3582121	1	• O-ring	
27	3582125	1	• Flange	
28	3582051	1	• Sealing	
29	3582070	1	• Baffle	
30	3582152	1	• Output shaft	
31	184083	1	• • Roller bearing	
32	(11084)	1	• • Roller bearing	Obsolete part
33	(3582132)	X	• Shim	TH=0.10mm, Obsolete part
	3582134	X	• Shim	TH=0.15mm
	3582136	X	• Shim	TH=0,30mm
	(3582138)	X	• Shim	TH=0,50mm, Obsolete part
34	21115574	1	• Suction pipe	
35	942001	1	• Hex. socket screw	



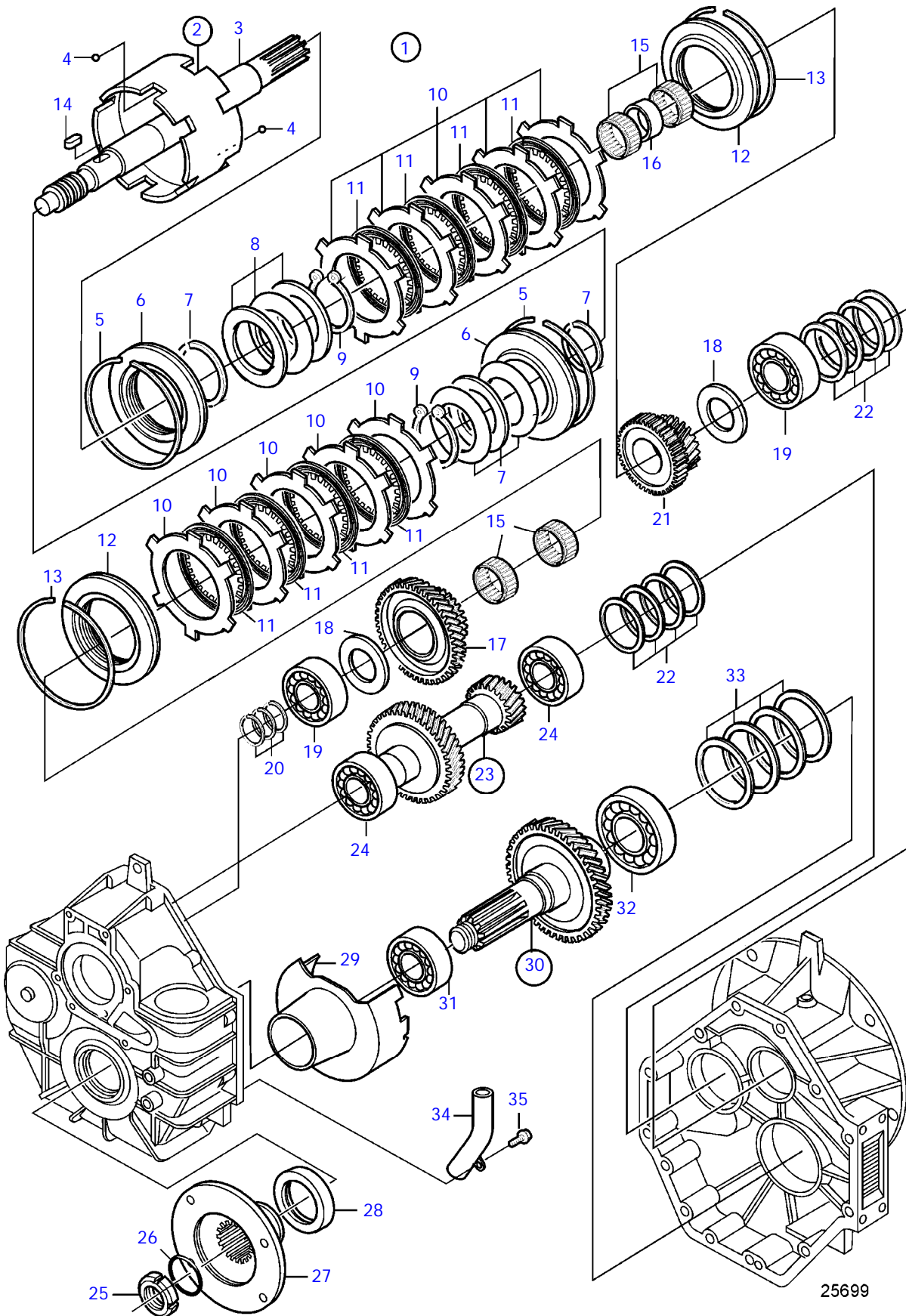
25653

REF	PART NO.	QTY	DESCRIPTION	SEE SEC.	NOTES
1	21116868	1	Housing		
			•	36574	Ratio 1.51:1
			•	36599	Ratio 2.03:1
			•	36602	Ratio 2.43:1
2	3582056	1	Housing		
			•	36574	Ratio 1.51:1
			•	36599	Ratio 2.03:1
	3582057	1	Cover		
			•	36602	Ratio 2.43:1
3	(3582044)	2	Locating pin		Obsolete part
4	941908	12	Spring washer		
5	970949	8	Hexagon screw		
6	947790	4	Flange screw		
7	3582047	1	Sealing		
8	3582050	1	Valve		
9	3581973	1	Plug		
10	3582063	1	Filter cap		
11	940142	1	• Hexagon screw		
12	976944	1	• Washer		
13			• Cover		
14	3582065	1	• O-ring		
15	3582064	1	• O-ring		
16	3582069	1	Oil filter, kit		
17		1	• Oil filter		
18	3582064	1	• O-ring		
19	3582065	1	• O-ring		
20	3582049	1	Sealing		
21	3582067	1	Dipstick		
22	3582203	1	• O-ring		
23	21116463	1	Shift control valve		
			•		
			•	36502	
24	3582046	1	Gasket		
25	941907	6	Spring washer		
26	941761	6	Hex. socket screw		



25699

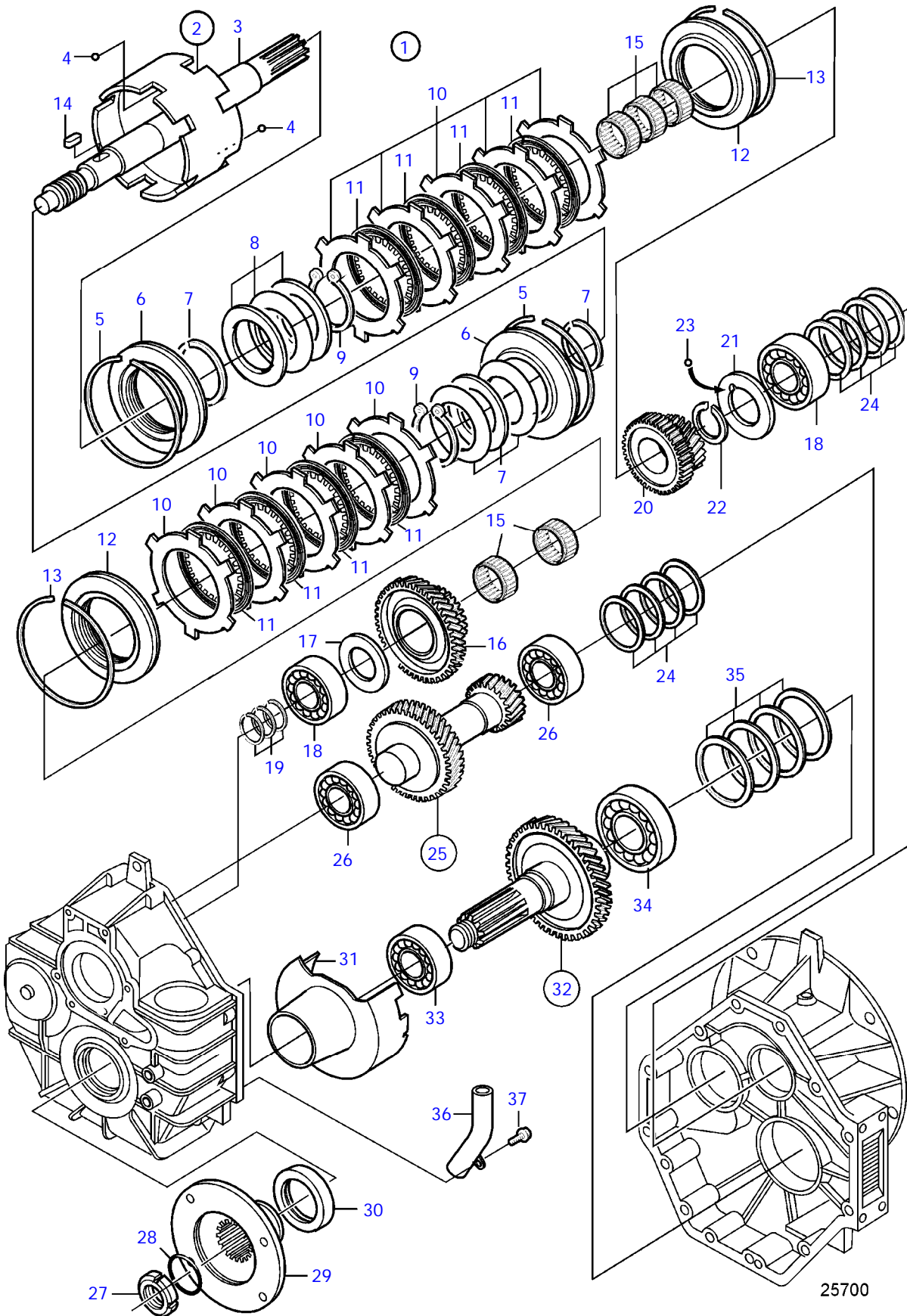
REF	PART NO.	QTY	DESCRIPTION	NOTES
1	21116400	1	Reversing gear kit	
2	(3584033)	1	• Input shaft	Obsolete part
3	(3584035)	1	• • Input shaft	Obsolete part
4	3582112	2	• • Ball	
5	3582108	2	• • Ring	
6	3582106	2	• • Piston	
7	3582110	2	• • Ring	
8	3582114	6	• • Spring	
9	3582117	2	• • Ring	
10	3582100	10	• • Disc	
11	3582098	8	• • Disc	
12	3582104	2	• • Disc	
13	3582102	2	• • Ring	
14	3582089	1	• Key	
15	3582177	4	• Bearing	
16	3582140	1	• Spacer	
17	3883932	1	• Gear	
18	3582080	2	• Friction washer	
19	184083	4	• Roller bearing	
20	3582087	3	• Piston ring	
21	3883933	1	• Gear	
22	3582090	X	• Shim	TH=0.10mm
	3582092	X	• Shim	TH=0.15mm
	3582095	X	• Shim	TH=0,30mm
	3582096	X	• Shim	TH=0,50mm
23	(3582145)	1	• Intermedi.shaft kit	Obsolete part
24	184083	2	• • Roller bearing	
25	3582127	1	• Ring nut	
26	3582121	1	• O-ring	
27	3582125	1	• Flange	
28	3582051	1	• Sealing	
29	3582070	1	• Baffle	
30	(3582146)	1	• Output shaft	Obsolete part
31	184083	1	• • Roller bearing	
32	(11084)	1	• • Roller bearing	Obsolete part
33	(3582132)	X	• Shim	TH=0.10mm, Obsolete part
	3582134	X	• Shim	TH=0.15mm
	3582136	X	• Shim	TH=0,30mm
	(3582138)	X	• Shim	TH=0,50mm, Obsolete part
34	21115574	1	• Suction pipe	
35	942001	1	• Hex. socket screw	



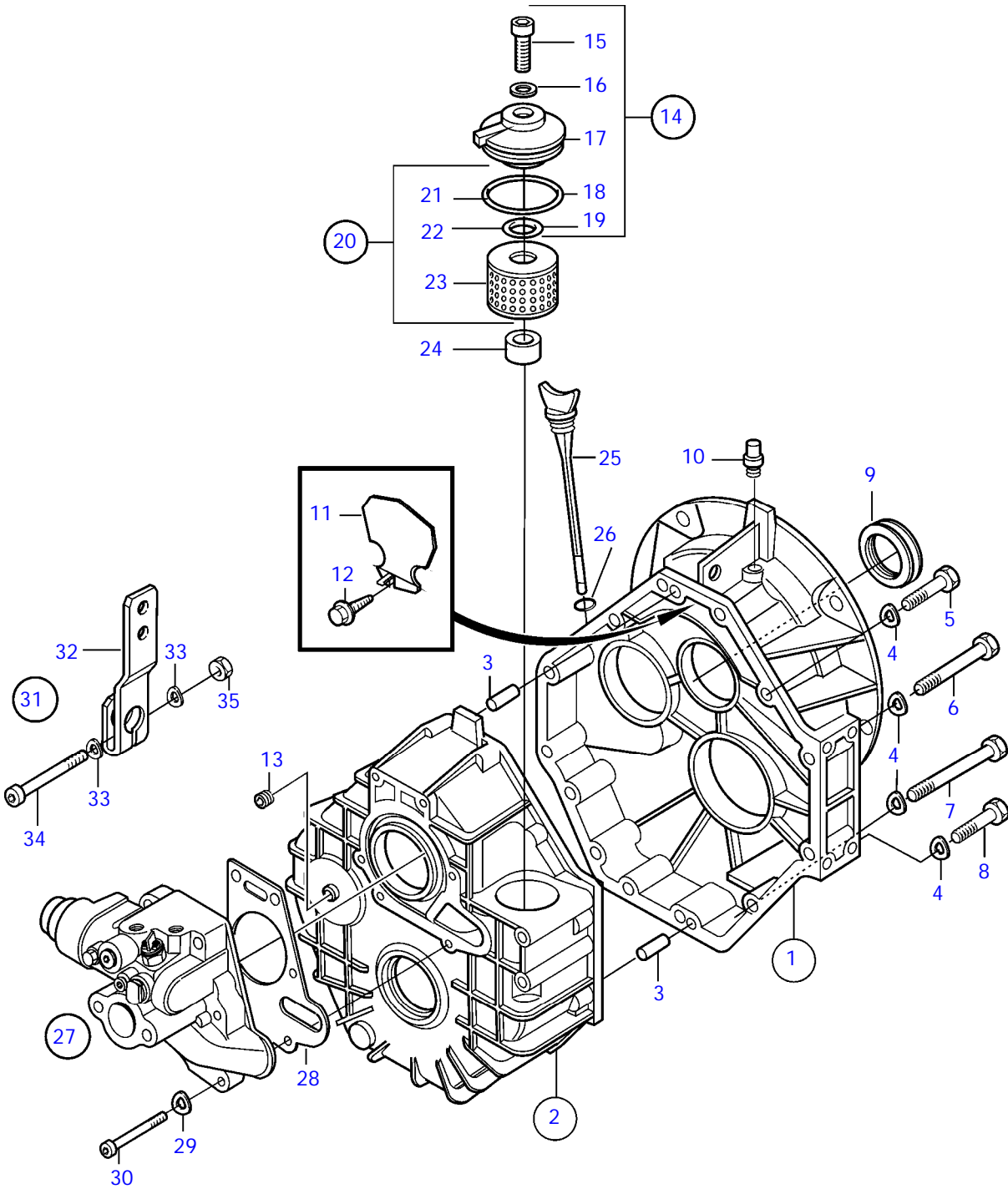
25699



REF	PART NO.	QTY	DESCRIPTION	NOTES
1	21116401	1	Reversing gear kit	
2	(3584033)	1	• Input shaft	Obsolete part
3	(3584035)	1	• • Input shaft	Obsolete part
4	3582112	2	• • Ball	
5	3582108	2	• • Ring	
6	3582106	2	• • Piston	
7	3582110	2	• • Ring	
8	3582114	6	• • Spring	
9	3582117	2	• • Ring	
10	3582100	10	• • Disc	
11	3582098	8	• • Disc	
12	3582104	2	• • Disc	
13	3582102	2	• • Ring	
14	3582089	1	• Key	
15	3582177	4	• Bearing	
16	3582140	1	• Spacer	
17	3883932	1	• Gear	
18	3582080	2	• Friction washer	
19	184083	4	• Roller bearing	
20	3582087	3	• Piston ring	
21	3883934	1	• Gear	
22	3582090	X	• Shim	TH=0.10mm
	3582092	X	• Shim	TH=0.15mm
	3582095	X	• Shim	TH=0,30mm
	3582096	X	• Shim	TH=0,50mm
23	(3582151)	1	• Intermedi.shaft kit	Obsolete part
24	184083	1	• • Roller bearing	
25	3582127	1	• Ring nut	
26	3582121	1	• O-ring	
27	3582125	1	• Flange	
28	3582051	1	• Sealing	
29	3582070	1	• Baffle	
30	3582152	1	• Output shaft	
31	184083	1	• • Roller bearing	
32	(11084)	1	• • Roller bearing	Obsolete part
33	(3582132)	X	• Shim	TH=0.10mm, Obsolete part
	3582134	X	• Shim	TH=0.15mm
	3582136	X	• Shim	TH=0,30mm
	(3582138)	X	• Shim	TH=0,50mm, Obsolete part
34	21115574	1	• Suction pipe	
35	942001	1	• Hex. socket screw	

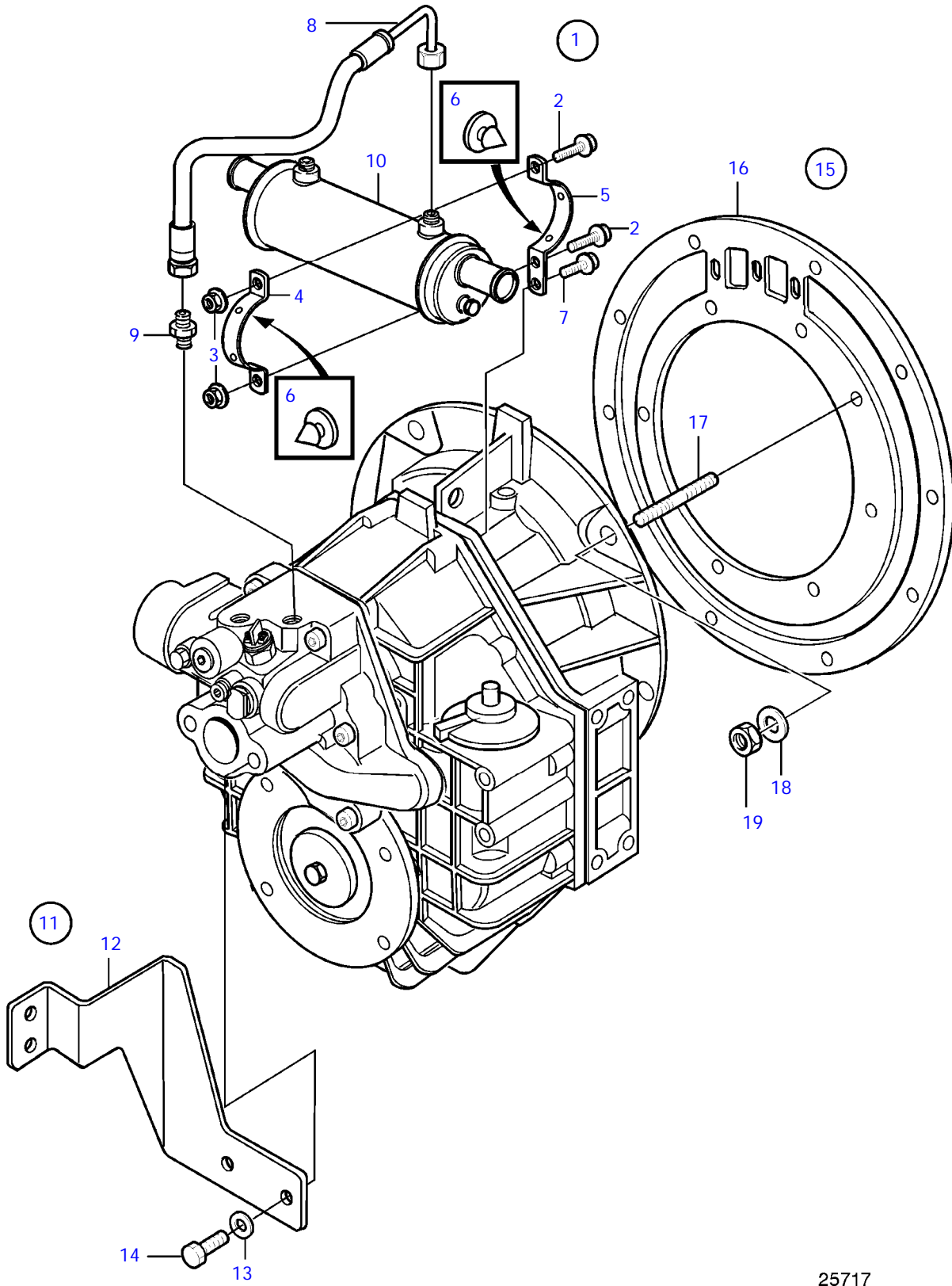


REF	PART NO.	QTY	DESCRIPTION	NOTES
1	21116402	1	Reversing gear kit	
2	3584047	1	• Input shaft	
3	(3584046)	1	• • Input shaft	Obsolete part
4	3582112	2	• • Ball	
5	3582108	2	• • Ring	
6	3582106	2	• • Piston	
7	3582110	2	• • Ring	
8	3582114	6	• • Spring	
9	3582117	2	• • Ring	
10	3582100	10	• • Disc	
11	3582098	8	• • Disc	
12	3582104	2	• • Disc	
13	3582102	2	• • Ring	
14	3582089	1	• Key	
15	3582177	5	• Bearing	
16	3883932	1	• Gear	
17	3582080	1	• Friction washer	
18	184083	4	• Roller bearing	
19	3582087	3	• Piston ring	
20	3883935	1	• Gear	
21	3582081	1	• Thrust washer	
22	3582143	1	• Lock ring	
23	3582113	1	• Ball	
24	3582090	X	• Shim	TH=0.10mm
	3582092	X	• Shim	TH=0.15mm
	3582095	X	• Shim	TH=0,30mm
	3582096	X	• Shim	TH=0,50mm
25	(3843660)	1	• Intermedi.shaft kit	Obsolete part
26	184083	2	• • Roller bearing	
27	3582127	1	• Ring nut	
28	3582121	1	• O-ring	
29	3582125	1	• Flange	
30	3582051	1	• Sealing	
31	3582070	1	• Baffle	
32	3582158	1	• Output shaft	
33	184083	1	• • Roller bearing	
34	(11084)	1	• • Roller bearing	Obsolete part
35	(3582132)	X	• Shim	TH=0.10mm, Obsolete part
	3582134	X	• Shim	TH=0.15mm
	3582136	X	• Shim	TH=0,30mm
	(3582138)	X	• Shim	TH=0,50mm, Obsolete part
36	21115574	1	• Suction pipe	
37	942001	1	• Hex. socket screw	



25683

REF	PART NO.	QTY	DESCRIPTION	SEE SEC.	NOTES
1	3582058	1	Housing		
			•	36653	Ratio 1.56:1
			•	36659	Ratio 2.04:1
			•	36660	Ratio 2.52:1
2	40005670	1	Transmission housing		
			•	36653	Ratio 1.56:1
			•	36659	Ratio 2.04:1
			•	36660	Ratio 2.52:1
3	3582045	2	Dowel		
4	941908	12	Spring washer		
5	970948	1	Hexagon screw		
6	947790	4	Flange screw		
7	970963	2	Hexagon screw		
8	970949	5	Hexagon screw		
9	3582047	1	Sealing		
10	3582050	1	Valve		
11	3582072	1	Baffle plate		Ratio 1.56:1, 2.00:1
	(3582073)	1	Plate		Ratio 2.58:1, Obsolete part
12	955244	1	Hexagon screw		
13	3581973	1	Plug		
14	3582063	1	Filter cap		
15	940142	1	• Hexagon screw		
16	976944	1	• Washer		
17			• Cover		
18	3582065	1	• O-ring		
19	3582064	1	• O-ring		
20	3582069	1	Oil filter		
21	3582065	1	• O-ring		
22	3582064	1	• O-ring		
23		1	• Oil filter		
24	3582049	1	Sealing		
25	3582067	1	Dipstick		
26	3582203	1	• O-ring		
27	3582054	1	Valve		Replaced by 21116465
	21116465	1	Shift control valve		
28	3582046	1	• Gasket		
29	941907	6	• Spring washer		
30	941761	6	• Hex. socket screw		
31	21228853	1	• Engagement lever kit		
32	3582055	1	• • Lever fork		
33	941908	2	• • Spring washer		
34	955298	1	• • Hexagon screw		
35	955782	1	• • Hexagon nut		

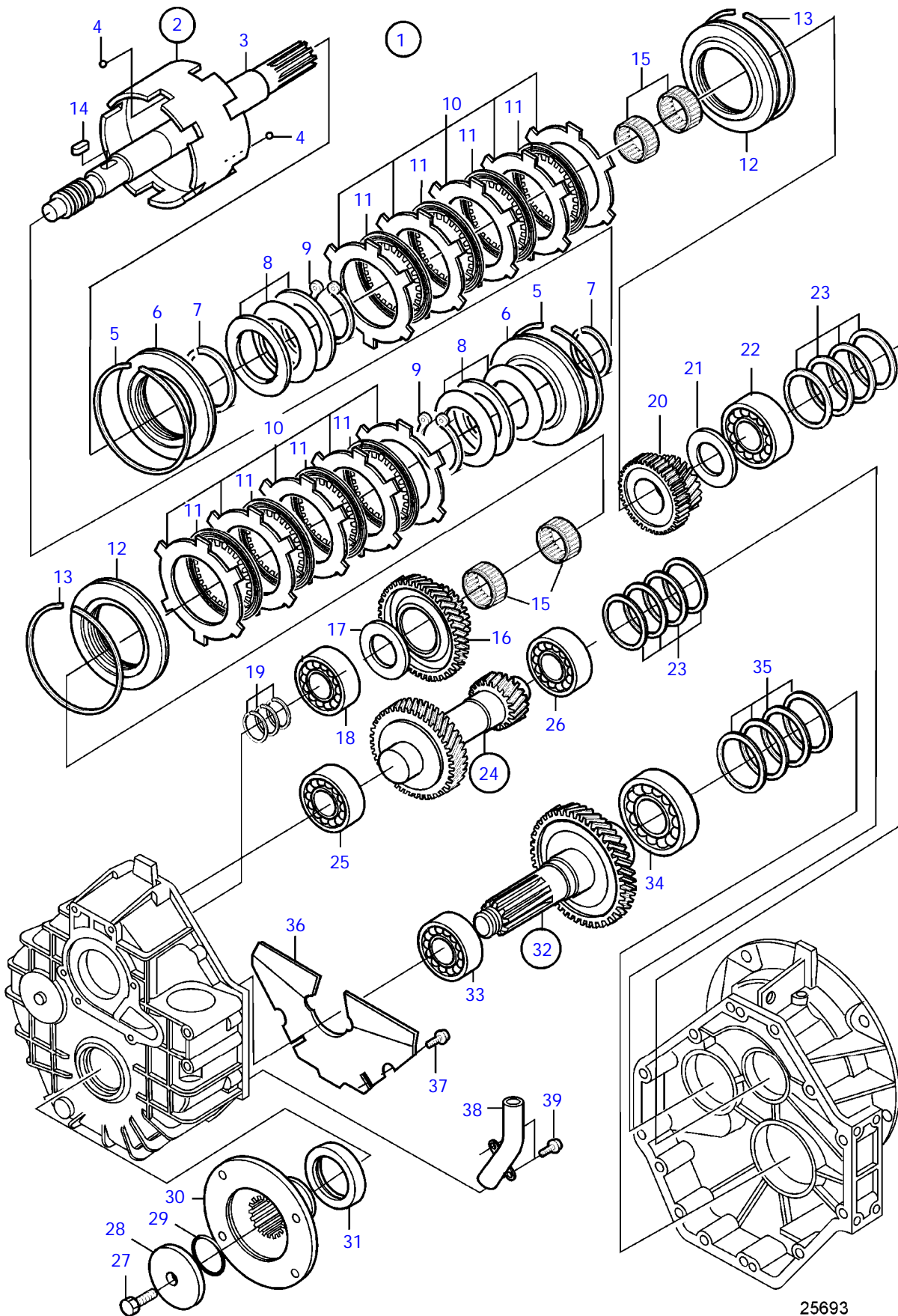


25717

--

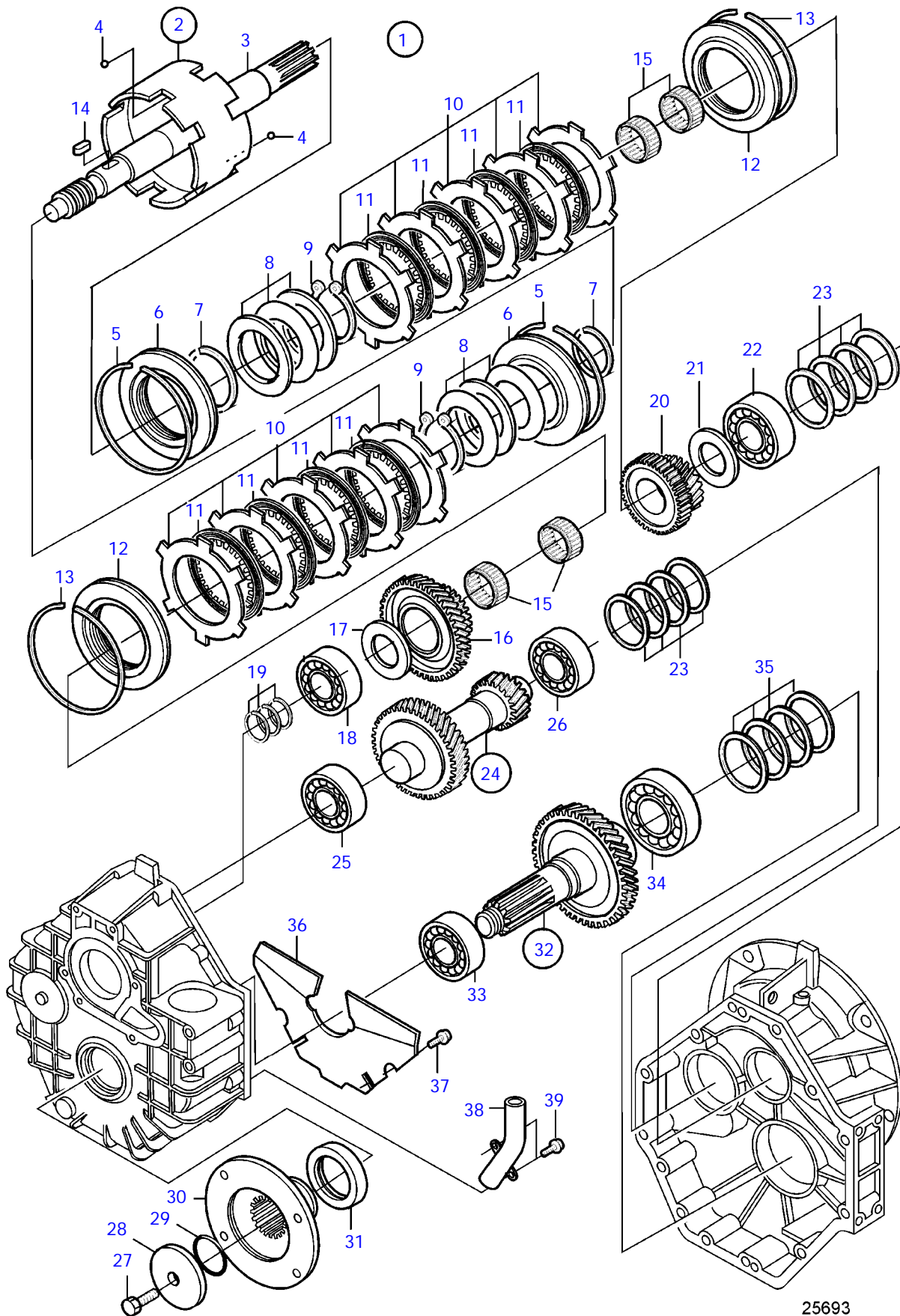
REF	PART NO.	QTY	DESCRIPTION	NOTES
1	3582180	2	Bracket, kit	
2	946329	4	• Flange screw	
3	971089	4	• Lock nut	
4		2	• Bracket	
5		2	• Bracket	
6		4	• Plug	
7		2	Screw	
8	3582176	2	Hose	
9	3582330	2	Nipple	
10	872626	1	Oil cooler	Replaced by 21152060
	21152060	1	Oil cooler kit	
11	21112815	1	Bracket kit	
12	3581851	1	• Bracket	
13	942336	2	• Spring washer	
14	940133	2	• Hexagon screw	
15	21112812	1	Adapter kit	
16	3582175	1	• Adapter	
17	924075	6	• Stud	
18	942336	6	• Spring washer	
19	971071	6	• Hexagon nut	





25693

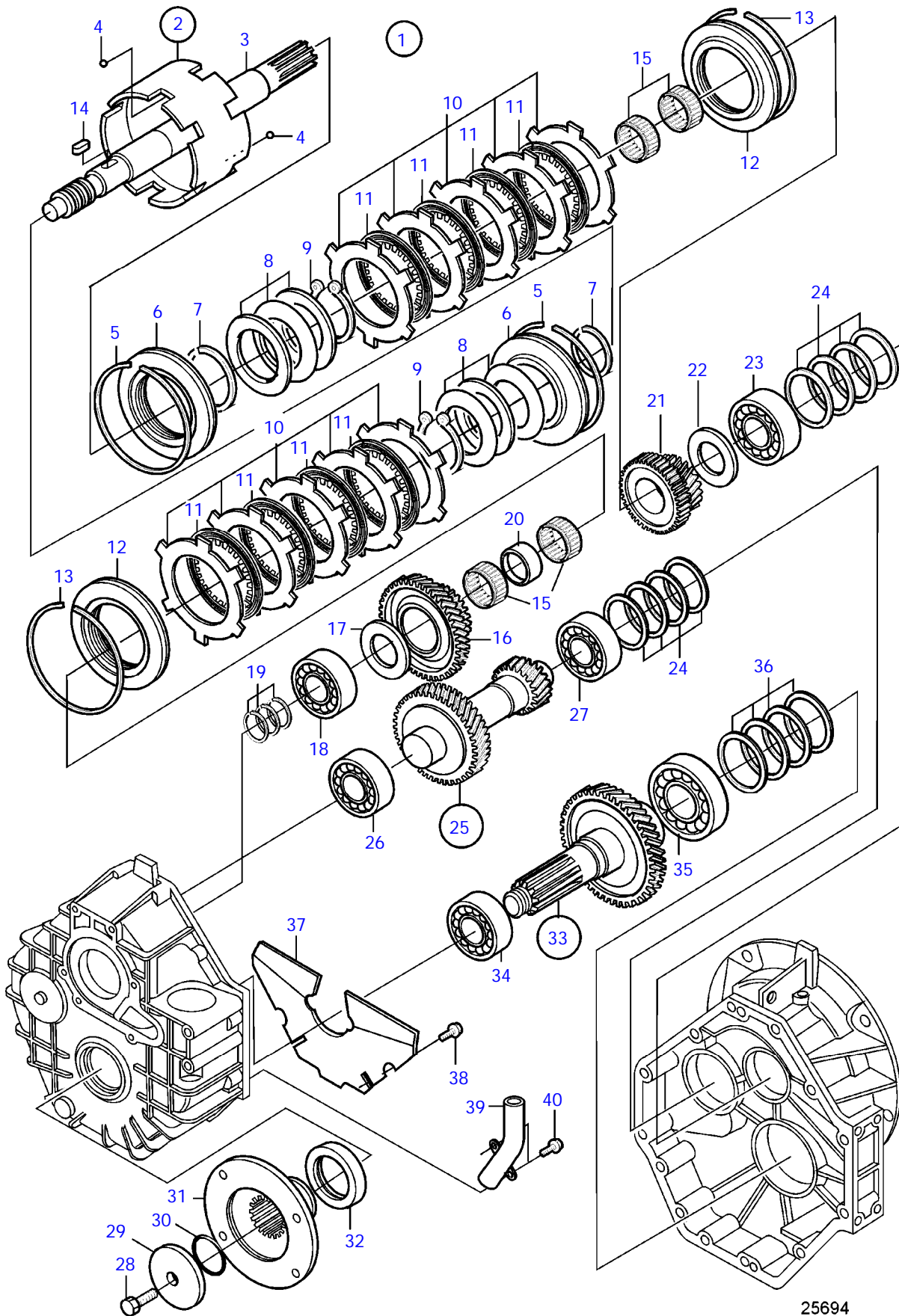
REF	PART NO.	QTY	DESCRIPTION	NOTES
1	21107101	1	Reversing gear	
2	3584030	1	• Input shaft	
3	3584028	1	• • Input shaft	
4	3582113	2	• • Ball	
5	3582109	2	• • Ring	
6	3817768	2	• • Piston	
7	3582111	2	• • Ring	
8	3817767	6	• • Spring disc	
9	(3582116)	2	• • Snap ring	Obsolete part
10	3817765	10	• • Steel disc	
11	21388176	8	• • Disc	
12	3817764	2	• • End disc	
13	3582103	2	• • Ring	
14	3582089	1	• Key	
15	3582177	4	• Bearing	
16	(3582079)	1	• Gear	Obsolete part
17	3582080	1	• Friction washer	
18	3582084	1	• Bearing	
19	3582087	3	• Piston ring	
20	(3582147)	1	• Gear	Obsolete part
21	3582080	1	• Friction washer	
22	183648	1	• Roller bearing	
23	3582091	X	• Shim	TH=0.10mm
	3582093	X	• Shim	TH=0.15mm
	3582094	X	• Shim	TH=0,20mm
	3582097	X	• Shim	TH=0,50mm
24	(3582148)	1	• Intermedi.shaft kit	Ratio 1.56:1, Obsolete part
25	18473	1	• • Roller bearing	
26	184083	1	• • Roller bearing	
27	975126	1	• Flange screw	
28	3582126	1	• Spacer	
29	3582122	1	• O-ring	
30	3582123	1	• Flange	
31	3582052	1	• Sealing	
32	3582149	1	• Output shaft	
33	11137	1	• • Roller bearing	
34	184595	1	• • Roller bearing	
35	3582133	X	• Shim	TH=0.10mm
	3582135	X	• Shim	TH=0.15mm
	3582137	X	• Shim	TH=0,30mm
	3582139	X	• Shim	TH=0,50mm
36	3582071	1	• Baffle plate	
37	942001	2	• Hex. socket screw	
38	3582062	1	• Pipe	
39	942001	2	• Hex. socket screw	



25693

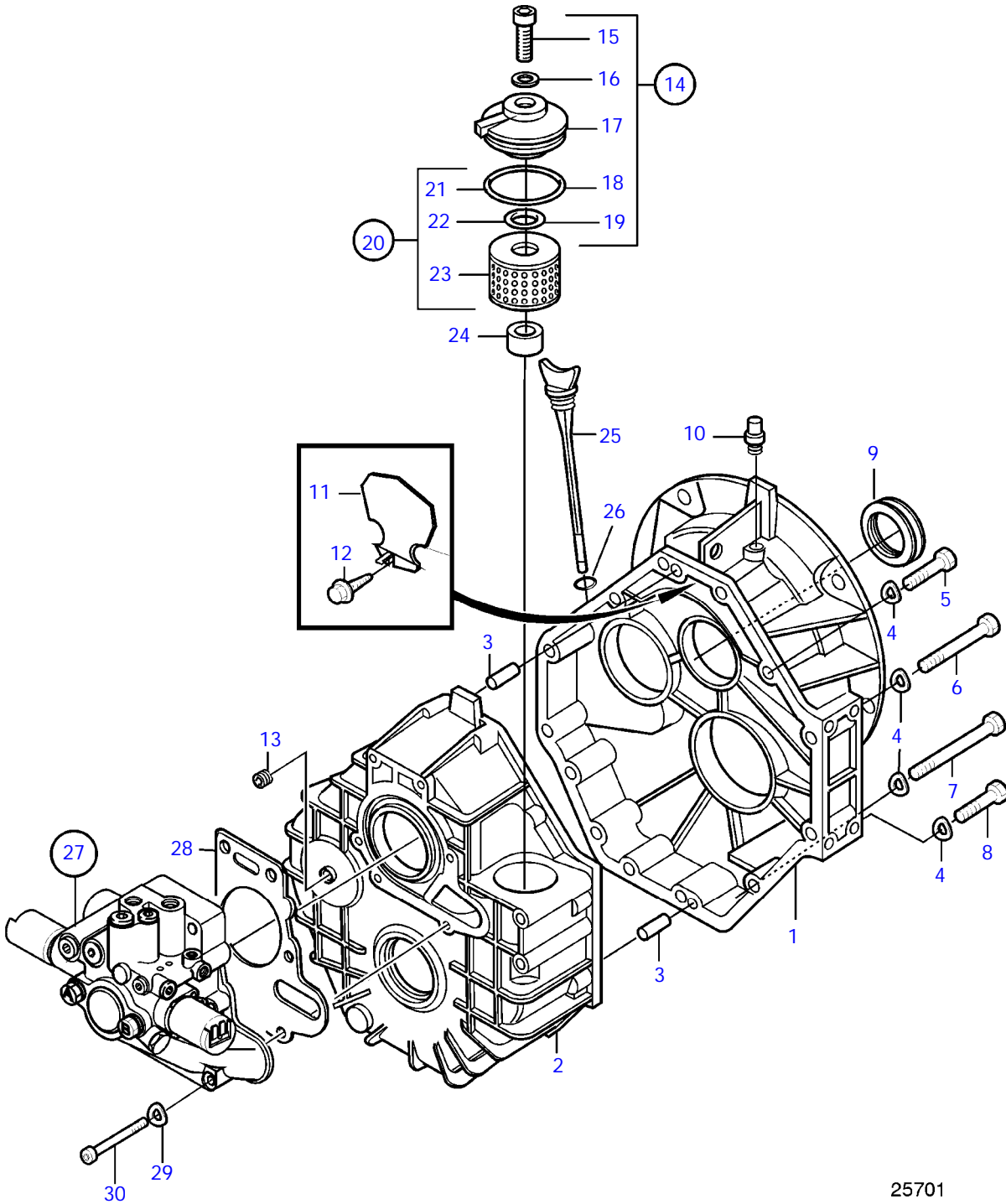


REF	PART NO.	QTY	DESCRIPTION	NOTES
1	21107102	1	Reversing gear	
2	3584030	1	• Input shaft	
3	3584028	1	• • Input shaft	
4	3582113	2	• • Ball	
5	3582109	2	• • Ring	
6	3817768	2	• • Piston	
7	3582111	2	• • Ring	
8	3817767	6	• • Spring disc	
9	(3582116)	2	• • Snap ring	Obsolete part
10	3817765	10	• • Steel disc	
11	21388176	8	• • Disc	
12	3817764	2	• • End disc	
13	3582103	2	• • Ring	
14	3582089	1	• Key	
15	3582177	4	• Bearing	
16	3886646	1	• Reverse gear	
17	3582080	1	• Friction washer	
18	3582084	1	• Bearing	
19	3582087	3	• Piston ring	
20	(3582153)	1	• Gear	Obsolete part
21	3582080	1	• Friction washer	
22	183648	1	• Roller bearing	
23	3582091	X	• Shim	TH=0.10mm
	3582093	X	• Shim	TH=0.15mm
	3582094	X	• Shim	TH=0,20mm
	3582097	X	• Shim	TH=0,50mm
24	(3582154)	1	• Intermedi.shaft kit	Obsolete part
25	18473	1	• • Roller bearing	
26	184083	1	• • Roller bearing	
27	975126	1	• Flange screw	
28	3582126	1	• Spacer	
29	3582122	1	• O-ring	
30	3582123	1	• Flange	
31	3582052	1	• Sealing	
32	(3582155)	1	• Output shaft	Obsolete part
33	11137	1	• • Roller bearing	Obsolete part
34	184595	1	• • Roller bearing	
35	3582133	X	• Shim	TH=0.10mm
	3582135	X	• Shim	TH=0.15mm
	3582137	X	• Shim	TH=0,30mm
	3582139	X	• Shim	TH=0,50mm
36	3582071	1	• Baffle plate	
37	942001	2	• Hex. socket screw	
38	3582062	1	• Pipe	
39	942001	2	• Hex. socket screw	

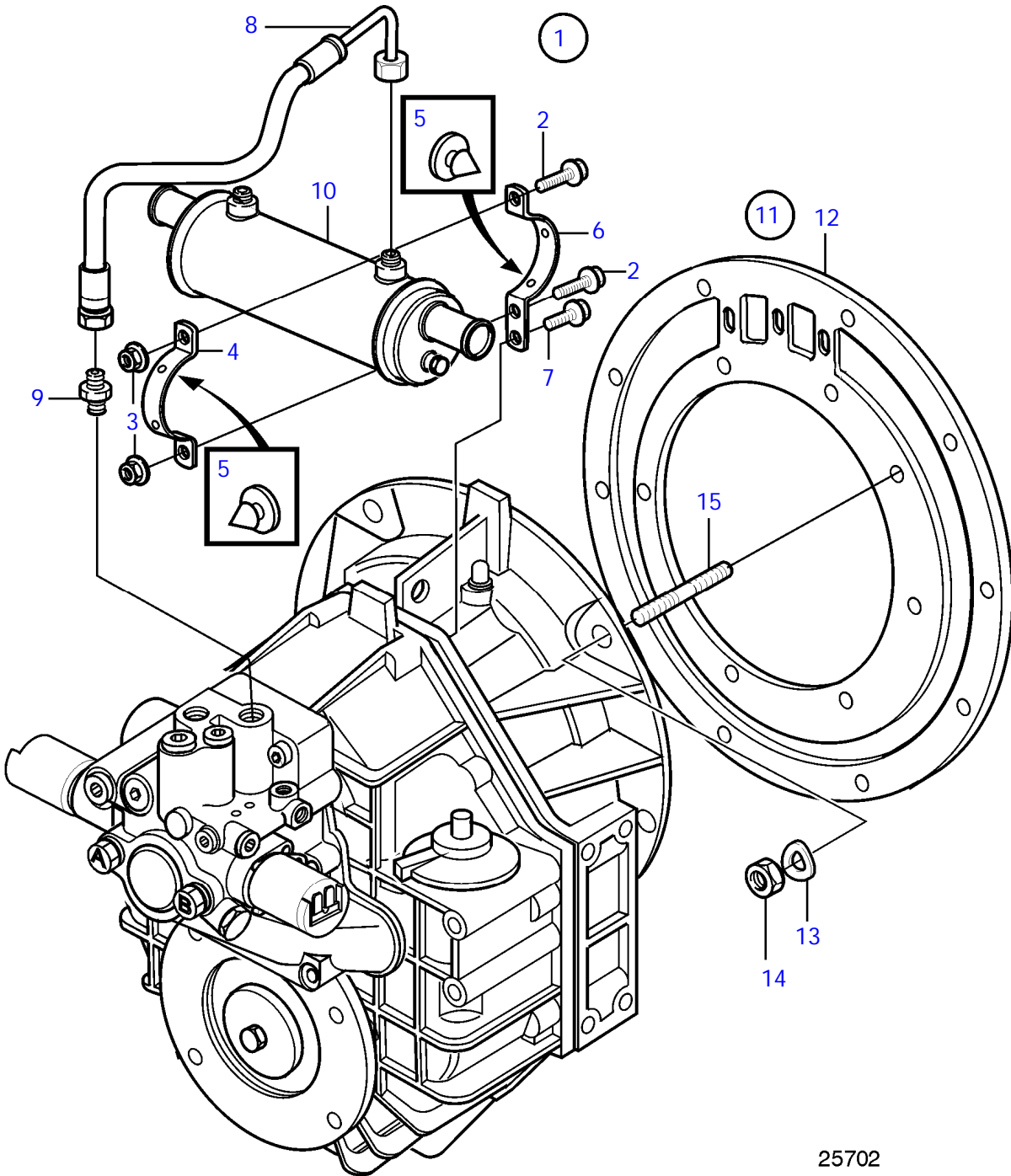


25694

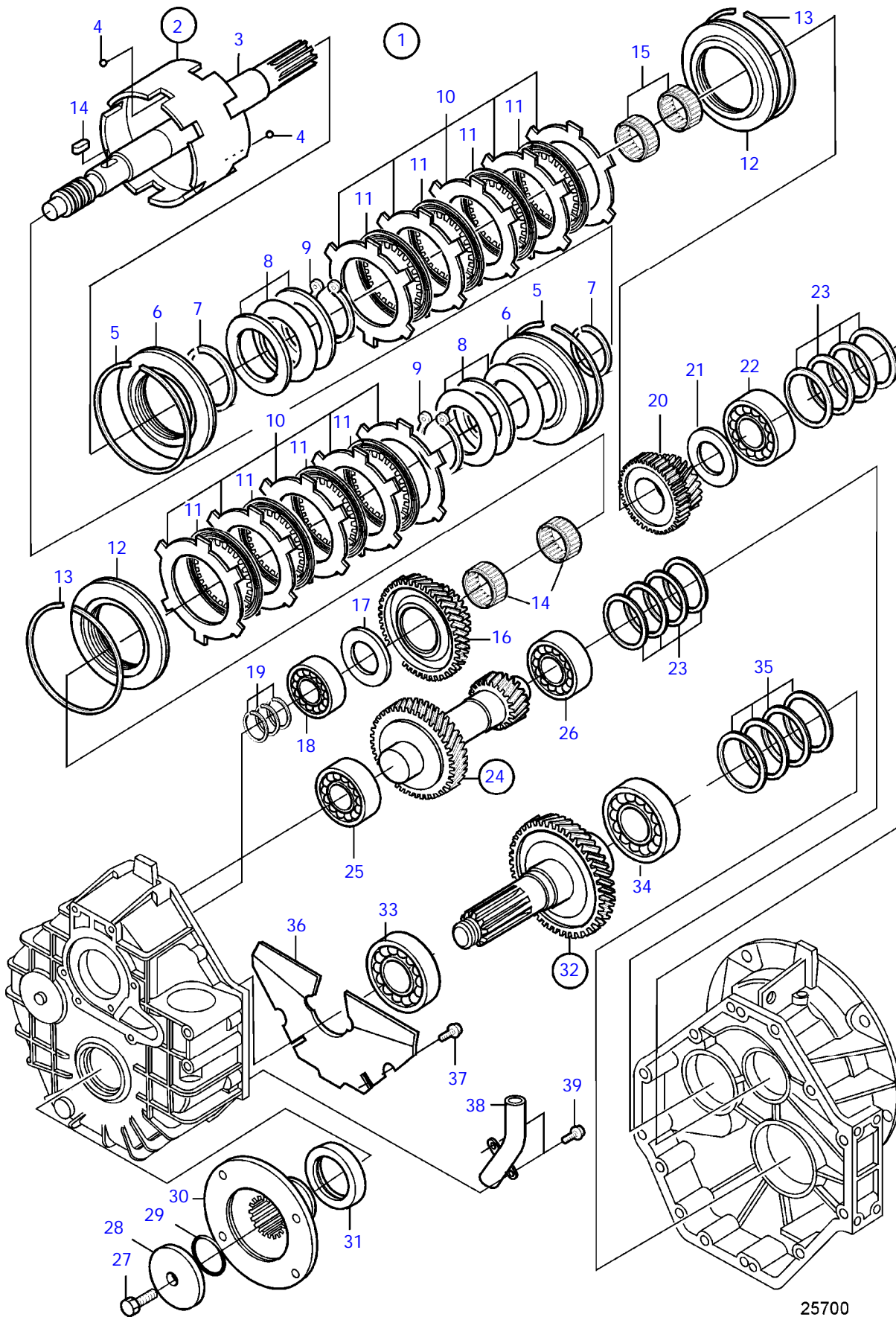
REF	PART NO.	QTY	DESCRIPTION	NOTES
1	21107103	1	Reversing gear	
2		1	• Input shaft	
3	3886768	1	• • Input shaft	
4	3582113	2	• • Ball	
5	3582109	2	• • Ring	
6	3817768	2	• • Piston	
7	3582111	2	• • Ring	
8	3817767	6	• • Spring disc	
9	(3582116)	2	• • Snap ring	Obsolete part
10	3817765	10	• • Steel disc	
11	21388176	8	• • Disc	
12	3817764	2	• • End disc	
13	3582103	2	• • Ring	
14	3582089	1	• Key	
15	3582177	4	• Bearing	
16	(3582079)	1	• Gear	Obsolete part
17	3582080	1	• Friction washer	
18	3582084	1	• Bearing	
19	3582087	3	• Piston ring	
20	3886770	1	• Spacer	
21	3886771	1	• Gear	
22	3582080	1	• Friction washer	
23	18473	1	• Roller bearing	
24	3582091	X	• Shim	TH=0.10mm
	3582093	X	• Shim	TH=0.15mm
	3582094	X	• Shim	TH=0,20mm
	3582097	X	• Shim	TH=0,50mm
25	3886772	1	• Intermedi.shaft kit	
26	183510	1	• • Roller bearing	
27	184083	1	• • Roller bearing	
28	975126	1	• Flange screw	
29	3582126	1	• Spacer	
30	3582122	1	• O-ring	
31	3582123	1	• Flange	
32	3582052	1	• Sealing	
33	3886773	1	• Output shaft	
34	11137	1	• • Roller bearing	
35	184595	1	• • Roller bearing	
36	3582133	X	• Shim	TH=0.10mm
	3582135	X	• Shim	TH=0.15mm
	3582137	X	• Shim	TH=0,30mm
	3582139	X	• Shim	TH=0,50mm
37	3582071	1	• Baffle plate	
38	942001	2	• Hex. socket screw	
39	3582062	1	• Pipe	
40	942001	2	• Hex. socket screw	



REF	PART NO.	QTY	DESCRIPTION	SEE SEC.	NOTES
1	3582058	1	Housing		
			•	36664	Ratio 1.56:1
			•	36663	Ratio 2.04:1
			•	36662	Ratio 2.52:1
2	40005670	1	Transmission housing		
			•	36664	Ratio 1.56:1
			•	36663	Ratio 2.04:1
			•	36662	Ratio 2.52:1
3	3582045	2	Dowel		
4	941908	12	Spring washer		
5	970948	1	Hexagon screw		
6	947790	4	Flange screw		
7	970963	2	Hexagon screw		
8	970949	5	Hexagon screw		
9	3582047	1	Sealing		
10	3582050	1	Valve		
11	3582072	1	Baffle plate		Ratio 1.56:1, 2.04:1
	(3582073)	1	Plate		Obsolete part, Ratio 2.52:1
12	969405	1	6 point socket screw		
13	3581973	1	Plug		
14	3582063	1	Filter cap		
15	940142	1	• Hexagon screw		
16	976944	1	• Washer		
17		1	• Cover		
18	3582065	1	• O-ring		
19	3582064	1	• O-ring		
20	3582069	1	Oil filter		
21	3582065	1	• O-ring		
22	3582064	1	• O-ring		
23		1	• Oil filter		
24	3582049	1	Sealing		
25	3582067	1	Dipstick		
26	3582203	1	• O-ring		
27	21116463	1	Shift control valve		
			•		
			•	36502	
28	3582046	1	• Gasket		
29	941907	6	• Spring washer		
30	941761	6	• Hex. socket screw		

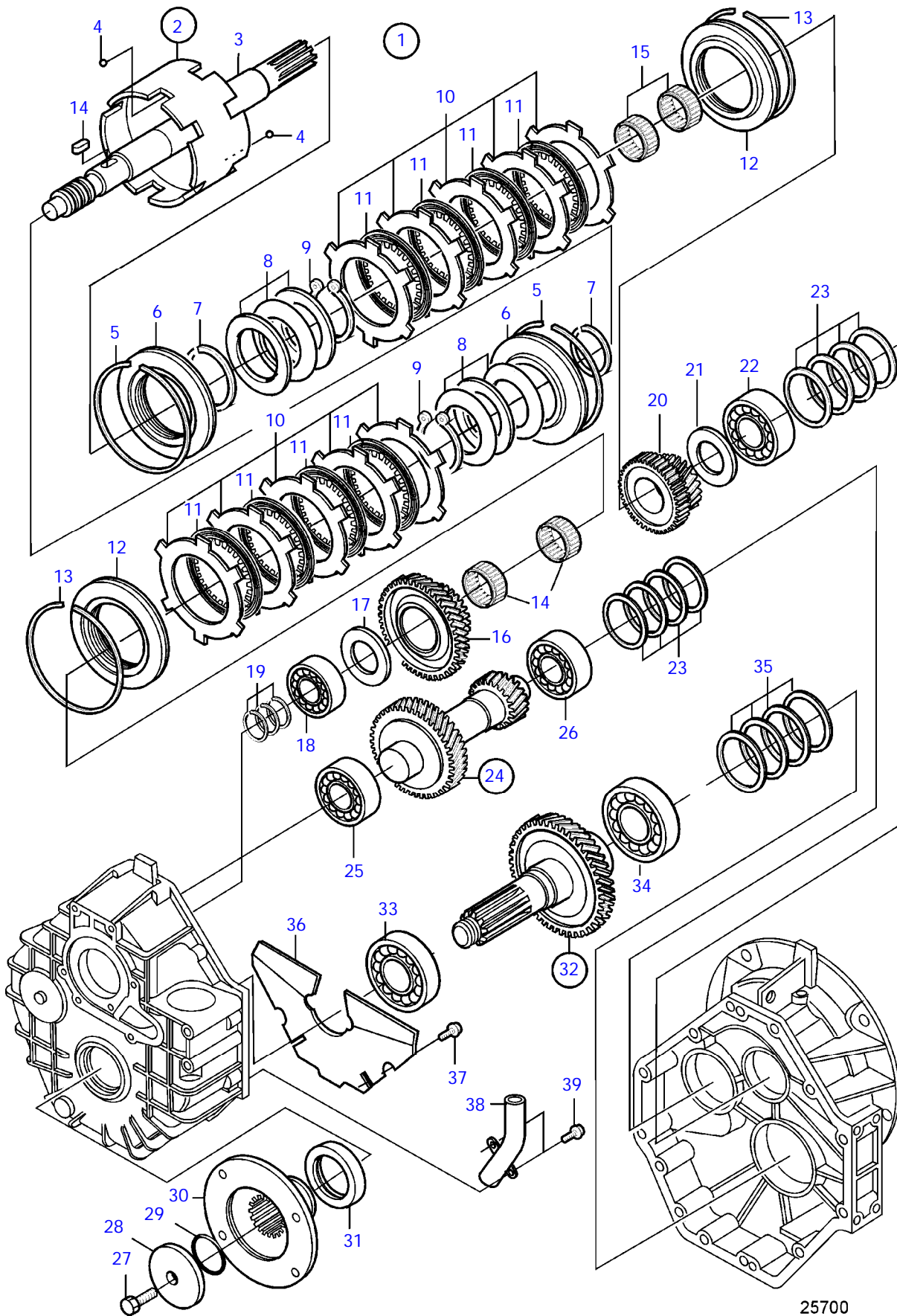


REF	PART NO.	QTY	DESCRIPTION
1	3582180	2	Bracket
2	946329	4	• Flange screw
3	971089	4	• Lock nut
4		2	• Bracket
5		4	• Plug
6		2	• Bracket
7		2	Screw
8	3582176	2	Hose
9	3582330	2	Nipple
10	872626	1	Oil cooler
11	21112812	1	Adapter kit
12	3582175	1	• Adapter
13	942336	6	• Spring washer
14	971071	6	• Hexagon nut
15	924075	6	• Stud

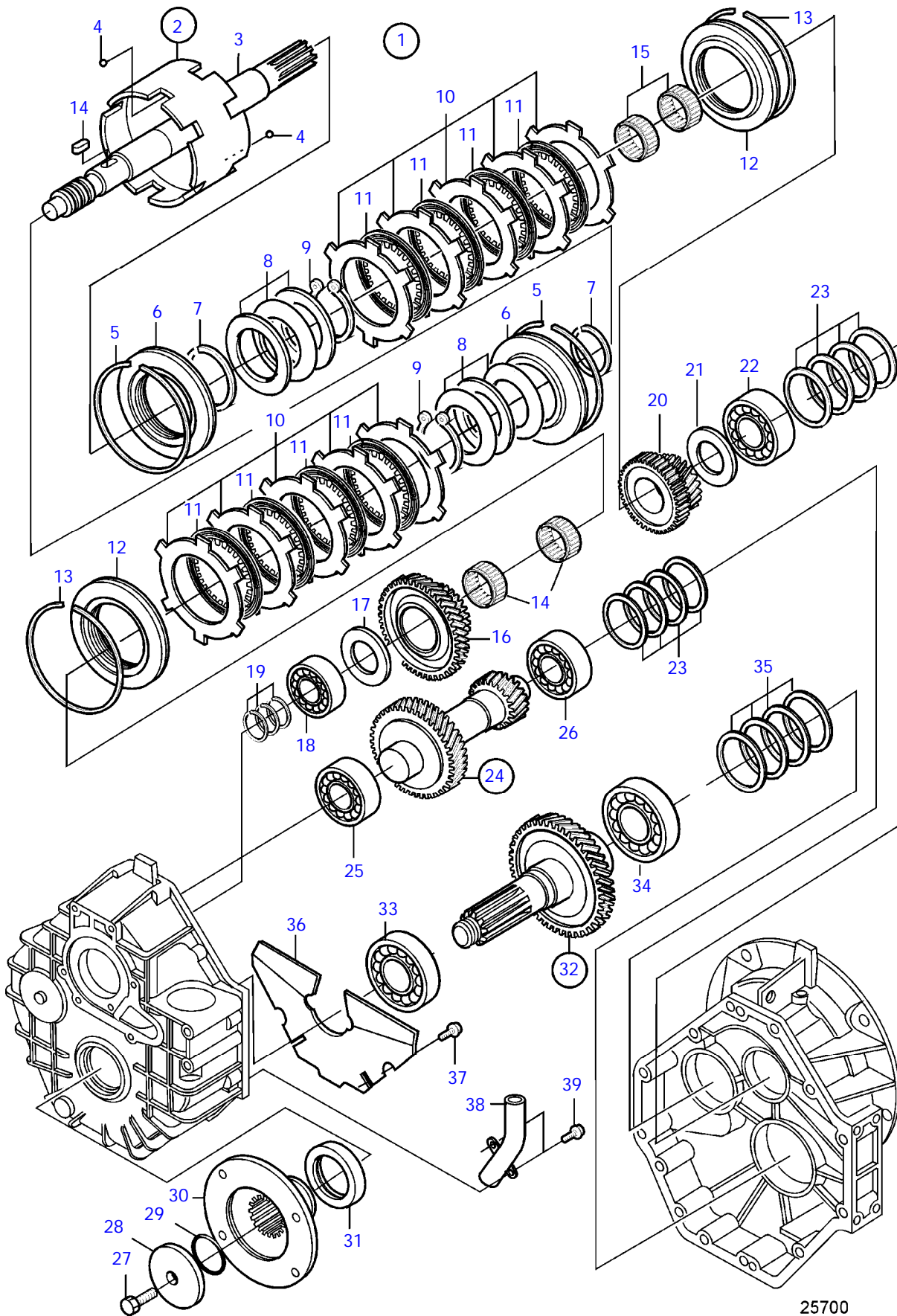


25700

REF	PART NO.	QTY	DESCRIPTION	NOTES
1	40005671	1	Reversing gear kit	
2	3584030	1	• Input shaft	
3	3584028	1	• • Input shaft	
4	3582113	2	• • Ball	
5	3817769	2	• • Piston ring	
6	3817768	2	• • Piston	
7	3582111	2	• • Ring	
8	3582115	6	• • Spring	
9	(3582116)	2	• • Snap ring	Obsolete part
10	3817765	10	• • Steel disc	
11	21388176	8	• • Disc	
12	3817764	2	• • End disc	
13	3582103	2	• • Ring	
14	3582089	1	• Key	
15	3582177	4	• Bearing	
16	(3582079)	1	• Gear	Obsolete part
17	3582080	1	• Friction washer	
18	3582084	1	• Bearing	
19	3582087	3	• Piston ring	
20	(3582147)	1	• Gear	Obsolete part
21	3582080	1	• Friction washer	
22	183648	1	• Roller bearing	
23	3582091	X	• Shim	TH=0,10mm
	3582093	X	• Shim	TH=0,15mm
	3582094	X	• Shim	TH=0,20mm
	3582097	X	• Shim	TH=0,50mm
24	(3582148)	1	• Intermedi.shaft kit	Obsolete part
25	18473	1	• • Roller bearing	
26	184083	1	• • Roller bearing	
27	975126	1	• Flange screw	
28	3582126	1	• Spacer	
29	3582122	1	• O-ring	
30	3582123	1	• Flange	
31	3582052	1	• Sealing	
32	3582149	1	• Output shaft	
33	11137	1	• • Roller bearing	
34	184595	1	• • Roller bearing	
35	3582133	X	• Shim	TH=0,10mm
	3582135	X	• Shim	TH=0,15mm
	3582137	X	• Shim	TH=0,30mm
	3582139	X	• Shim	TH=0,50mm
36	3582071	1	• Baffle plate	
37	942001	2	• Hex. socket screw	
38	3582062	1	• Pipe	
39	942001	2	• Hex. socket screw	

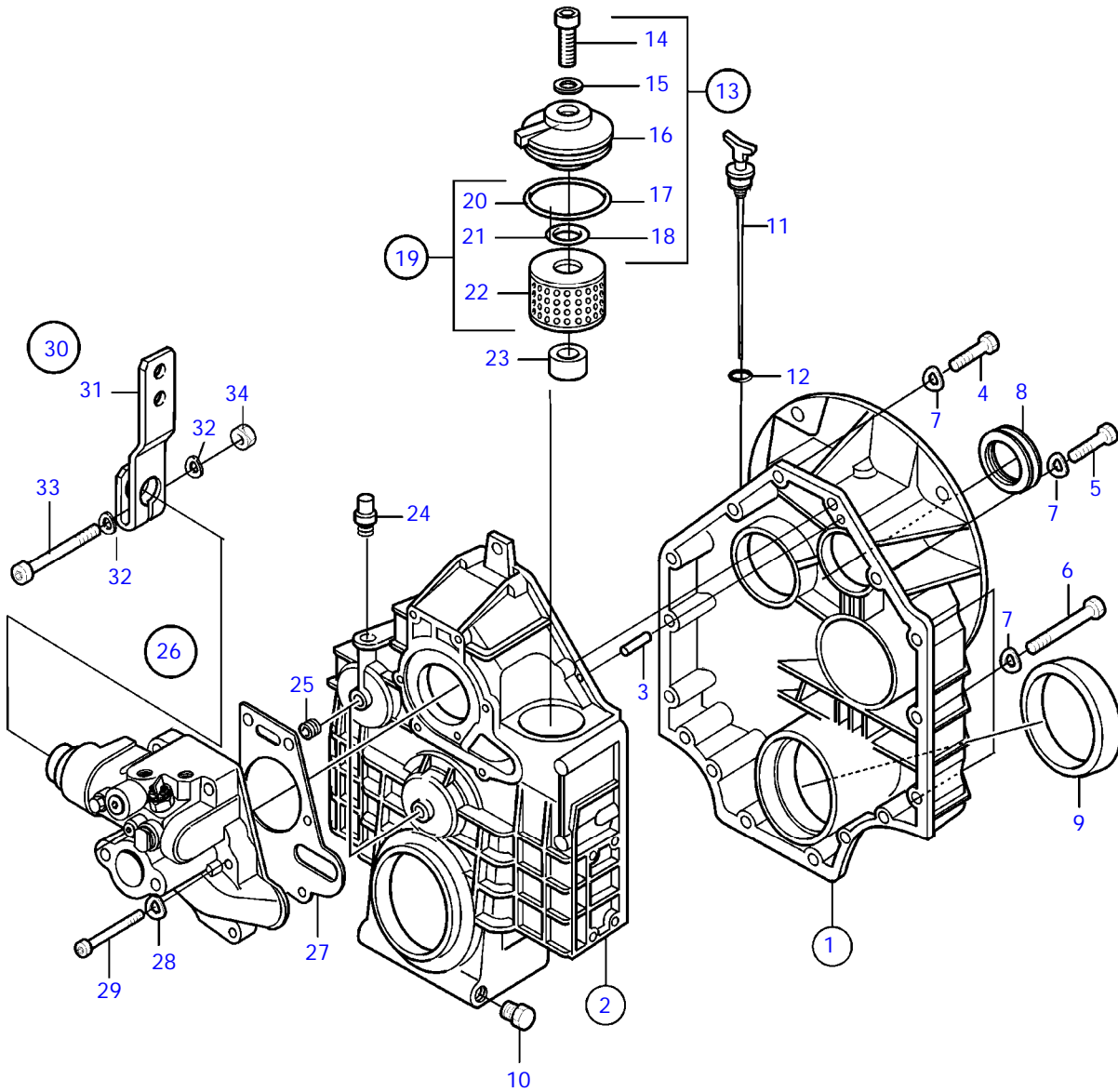


REF	PART NO.	QTY	DESCRIPTION	NOTES
1	40005672	1	Reversing gear kit	
2	3584030	1	• Input shaft	
3	3584028	1	• • Input shaft	
4	3582113	2	• • Ball	
5	3817769	2	• • Piston ring	
6	3817768	2	• • Piston	
7	3582111	2	• • Ring	
8	3582115	6	• • Spring	
9	(3582116)	2	• • Snap ring	Obsolete part
10	3817765	10	• • Steel disc	
11	21388176	8	• • Disc	
12	3817764	2	• • End disc	
13	3582103	2	• • Ring	
14	3582089	1	• Key	
15	3582177	4	• Bearing	
16	(3582079)	1	• Gear	Obsolete part
17	3582080	1	• Friction washer	
18	3582084	1	• Bearing	
19	3582087	3	• Piston ring	
20	(3582153)	1	• Gear	Obsolete part, Ratio 2.04:1
21	3582080	1	• Friction washer	
22	183648	1	• Roller bearing	
23	3582091	X	• Shim	TH=0,10mm
	3582093	X	• Shim	TH=0,15mm
	3582094	X	• Shim	TH=0,20mm
	3582097	X	• Shim	TH=0,50mm
24	(3582154)	1	• Intermedi.shaft kit	Obsolete part
25	18473	1	• • Roller bearing	
26	184083	1	• • Roller bearing	
27	975126	1	• Flange screw	
28	3582126	1	• Spacer	
29	3582122	1	• O-ring	
30	3582123	1	• Flange	
31	3582052	1	• Sealing	
32	(3582155)	1	• Output shaft	Obsolete part
33	11137	1	• • Roller bearing	
34	184595	1	• • Roller bearing	
35	3582133	X	• Shim	TH=0,10mm
	3582135	X	• Shim	TH=0,15mm
	3582137	X	• Shim	TH=0,30mm
	3582139	X	• Shim	TH=0,50mm
36	3582071	1	• Baffle plate	
37	942001	2	• Hex. socket screw	
38	3582062	1	• Pipe	
39	942001	2	• Hex. socket screw	



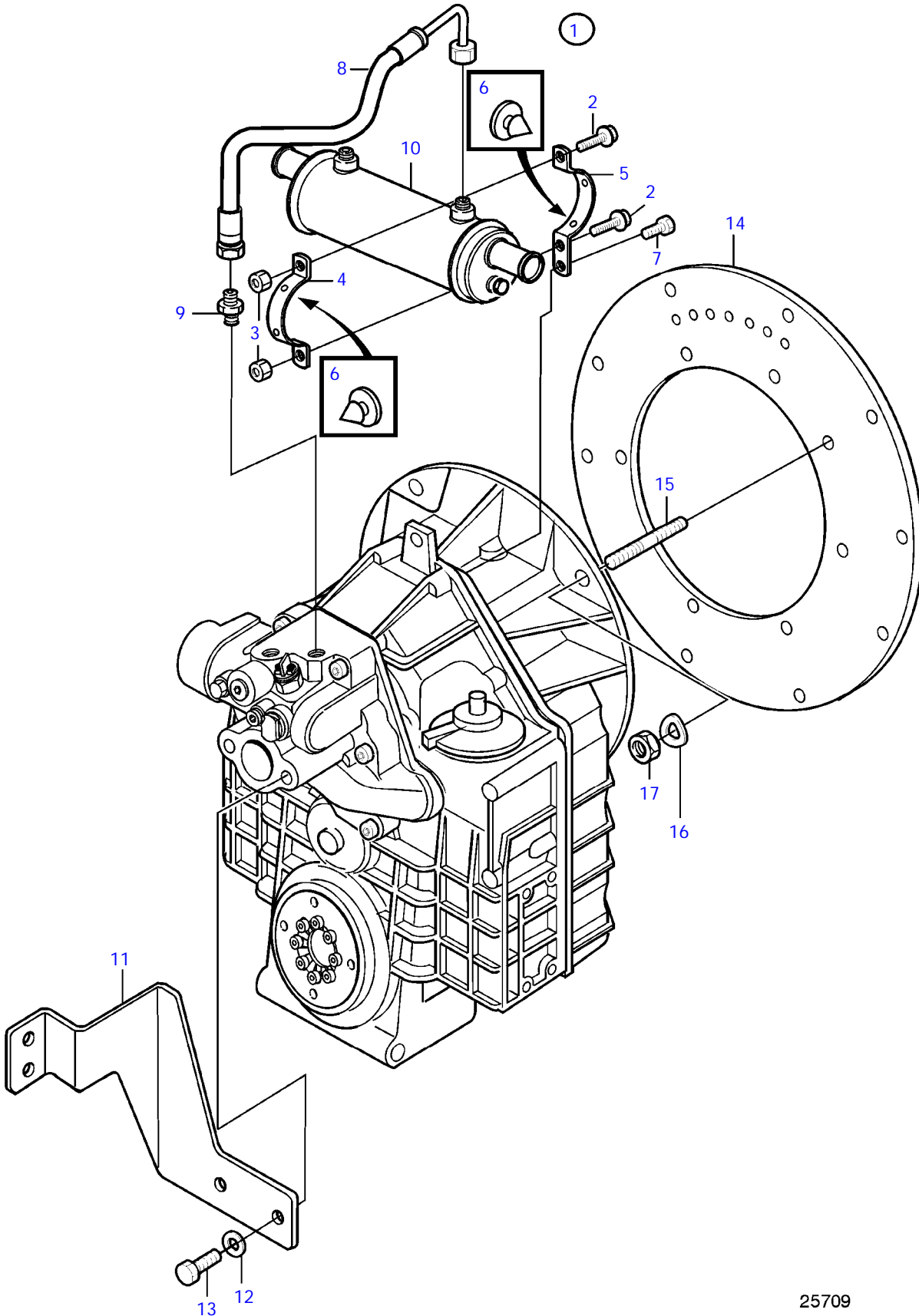
25700

REF	PART NO.	QTY	DESCRIPTION	NOTES
1	40005673	1	Reversing gear	
2	3584030	1	• Input shaft	
3	3584028	1	• • Input shaft	
4	3582113	2	• • Ball	
5	3817769	2	• • Piston ring	
6	3817768	2	• • Piston	
7	3582111	2	• • Ring	
8	3582115	6	• • Spring	
9	(3582116)	2	• • Snap ring	Obsolete part
10	3817765	10	• • Steel disc	
11	21388176	8	• • Disc	
12	3817764	2	• • End disc	
13	3582103	2	• • Ring	
14	3582089	1	• Key	
15	3582177	4	• Bearing	
16	(3582079)	1	• Gear	Obsolete part
17	3582080	1	• Friction washer	
18	3582084	1	• Bearing	
19	3582087	3	• Piston ring	
20	(3582159)	1	• Gear	Obsolete part
21	3582080	1	• Friction washer	
22	183648	1	• Roller bearing	
23	3582091	X	• Shim	TH=0.10mm
	3582093	X	• Shim	TH=0.15mm
	3582094	X	• Shim	TH=0,20mm
	3582097	X	• Shim	TH=0,50mm
24	3886772	1	• Intermedi.shaft kit	
25	183510	1	• • Roller bearing	Obsolete part
26	184083	1	• • Roller bearing	
27	975126	1	• Flange screw	
28	3582126	1	• Spacer	
29	3582122	1	• O-ring	
30	3582123	1	• Flange	
31	3582052	1	• Sealing	
32	3886773	1	• Output shaft	
33	11137	1	• • Roller bearing	
34	184595	1	• • Roller bearing	
35	3582133	X	• Shim	TH=0.10mm
	3582135	X	• Shim	TH=0.15mm
	3582137	X	• Shim	TH=0,30mm
	3582139	X	• Shim	TH=0,50mm
36	3582071	1	• Baffle plate	
37	942001	2	• Hex. socket screw	
38	3582062	1	• Pipe	
39	942001	2	• Hex. socket screw	



25718

REF	PART NO.	QTY	DESCRIPTION	SEE SEC.	NOTES
1	(3582221)	1	Housing		Obsolete part
			•	36666	Ratio 1.56:1
			•	36669	Ratio 1.99:1
			•	36670	Ratio 2.48:1
2	40005873	1	Transmission housing		Obsolete part
			•	36666	Ratio 1.56:1
			•	36669	Ratio 1.99:1
			•	36670	Ratio 2.48:1
3	3582045	2	Dowel		
4	970949	11	Hexagon screw		
5	970948	1	Hexagon screw		
6	947790	4	Flange screw		
7	941908	16	Spring washer		
8	3582047	1	Sealing		
9	40005871	1	Sealing ring		Ratio 1.56:1
	3582229	1	Sealing ring		Ratio 1.99:1, 2.48:1
10	479977	1	Plug		
11	3582224	1	Dipstick		
12	3582203	1	O-ring		
13	3582063	1	Filter cap		
14	940142	1	• Hexagon screw		
15	976944	1	• Washer		
16		1	• Cover		
17	3582065	1	• O-ring		
18	3582064	1	• O-ring		
19	3582069	1	Oil filter, kit		
20	3582065	1	• O-ring		
21	3582064	1	• O-ring		
22		1	• Oil filter		
23	3582049	1	Sealing		
24	3582050	1	Valve		Ratio 1.99:1, 2.48:1
	40005872	1	Breather cap		Ratio 1.56:1
25	3581973	2	Plug		
26	21116465	1	Shift control valve		
27	3582046	1	• Gasket		
28	941907	6	• Spring washer		
29	941761	6	• Hex. socket screw		
30	21228853	1	• Engagement lever kit		
31	3582055	1	• • Lever fork		
32	941908	2	• • Spring washer		
33	955298	1	• • Hexagon screw		
34	955782	1	• • Hexagon nut		



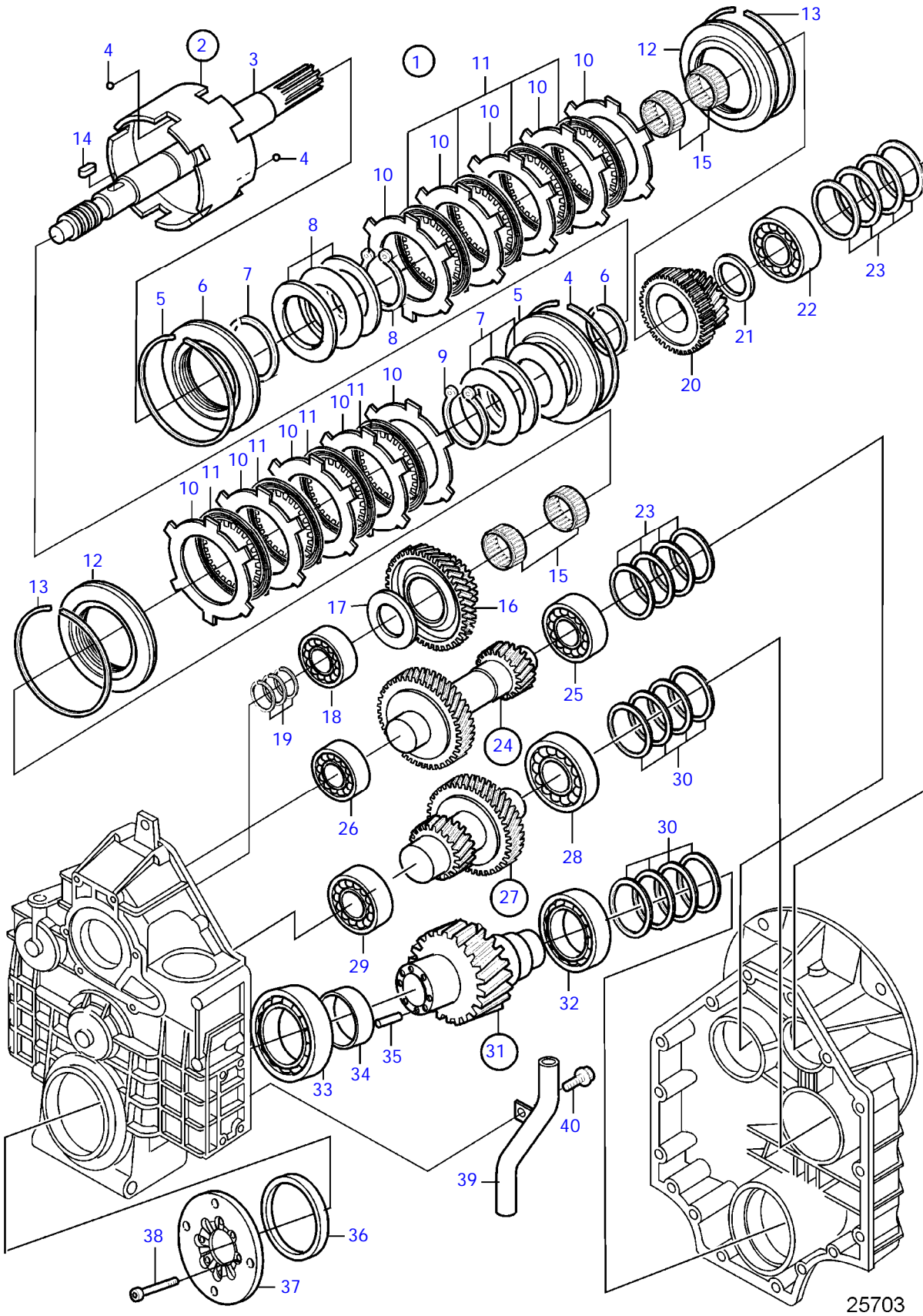
25709

--

REF	PART NO.	QTY	DESCRIPTION
1	3582180	2	Bracket, kit
2	946329	4	• Flange screw
3	971089	4	• Lock nut
4		2	• Bracket
5		2	• Bracket
6		4	• Plug
7		2	Screw
8	3582176	2	Hose
9	3582330	2	Nipple
10	872626	1	Oil cooler
11	3581851	1	Bracket
12	976945	2	Washer
13	940133	2	Hexagon screw
14	3582175	1	Adapter
15	924075	6	Stud
16	942336	6	Spring washer
17	971071	6	Hexagon nut

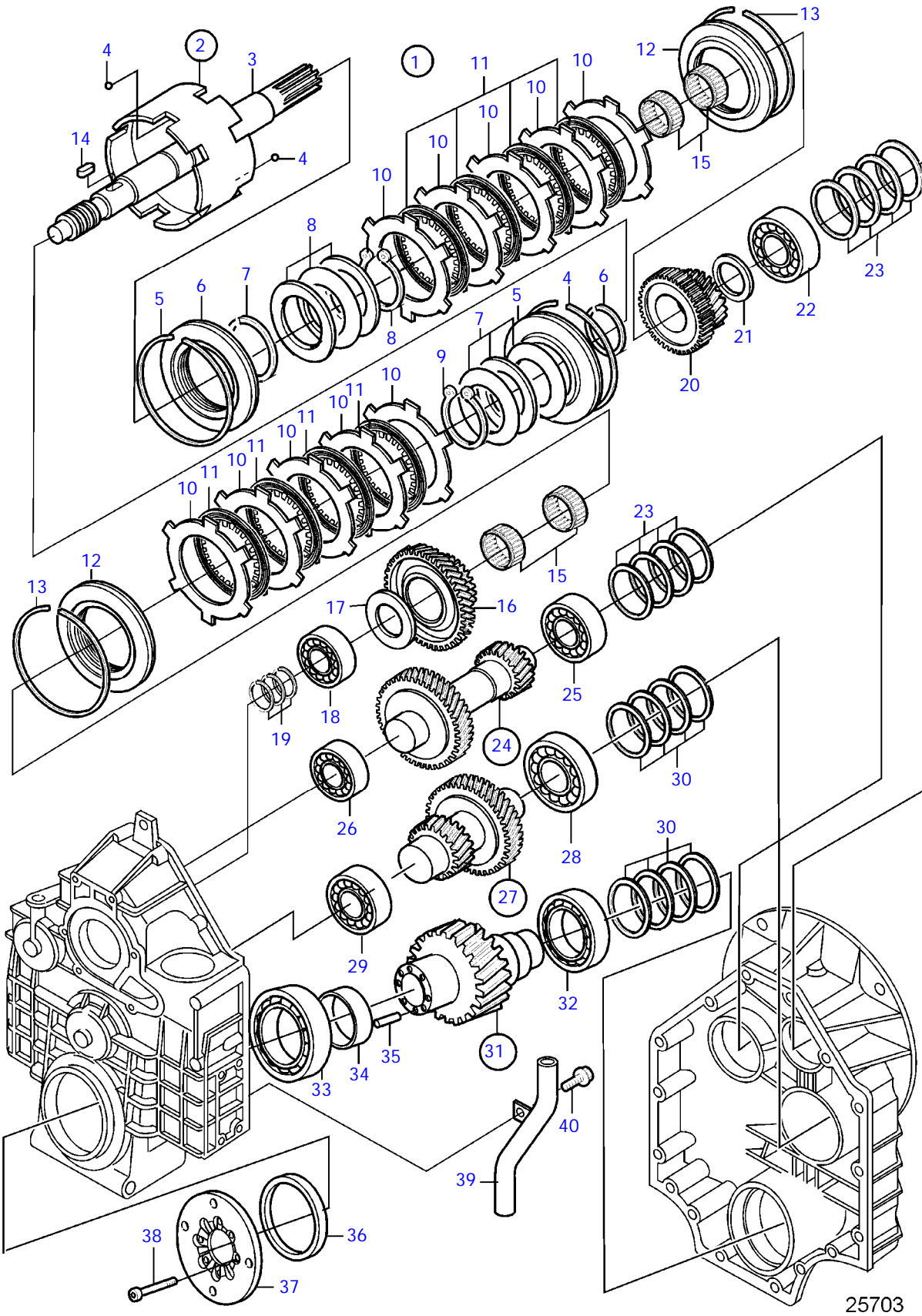
--	--	--	--





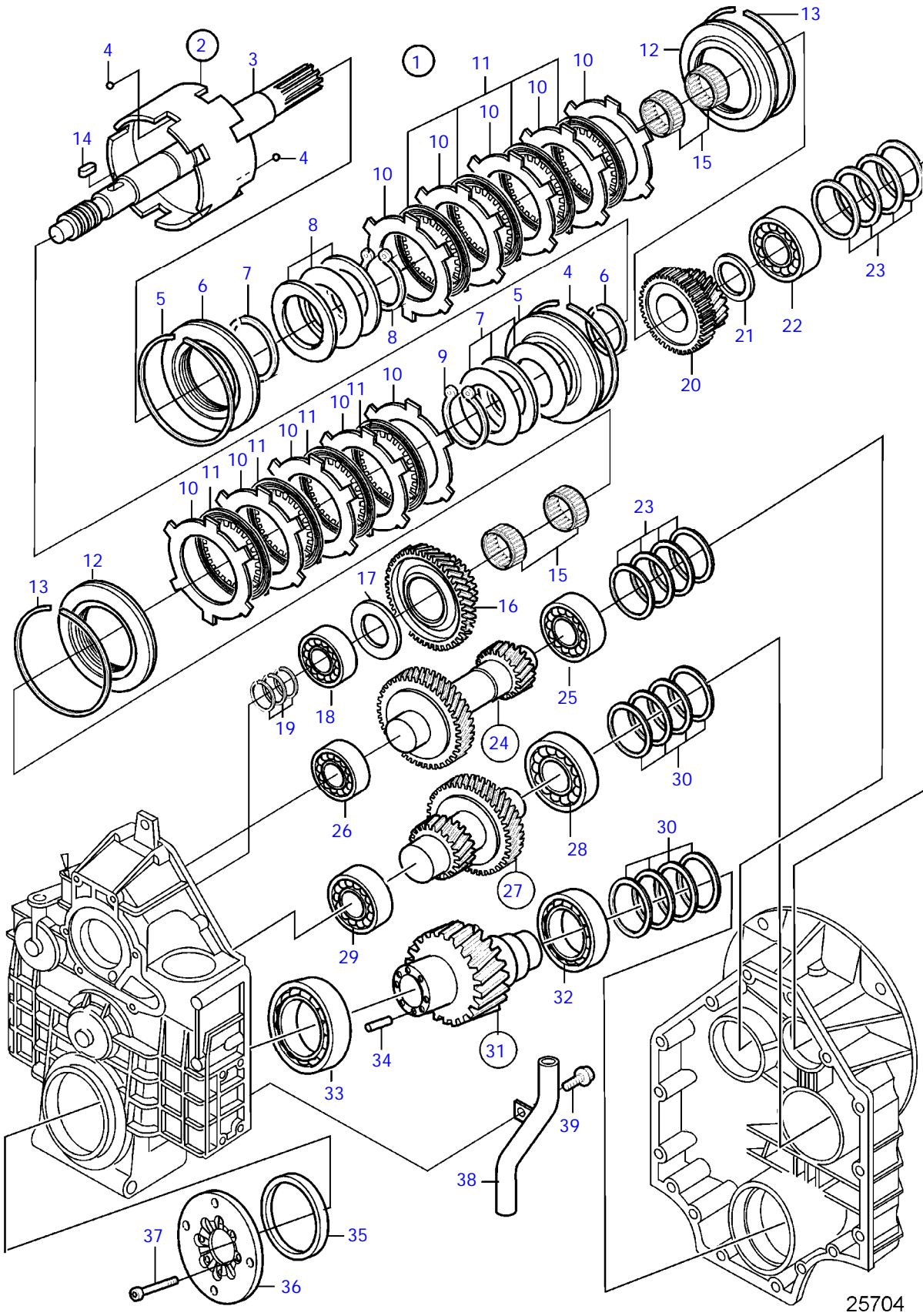
25703

REF	PART NO.	QTY	DESCRIPTION	NOTES
1	21107111	1	Reversing gear	
2	3584030	1	• Input shaft	
3	3584028	1	• • Input shaft	
4	3582113	2	• • Ball	
5	3817769	1	• • Piston ring	
6	3817768	1	• • Piston	
7	3582111	2	• • Ring	
8	3817767	6	• • Spring disc	
9	(3582116)	2	• • Snap ring	Obsolete part
10	3817765	10	• • Steel disc	
11	21388176	8	• • Disc	
12	3817764	2	• • End disc	
13	3582103	2	• • Ring	
14	3582089	1	• Key	
15	3582177	4	• Bearing	
16	(3582079)	1	• Gear	Obsolete part
17	3582080	1	• Friction washer	
18	3582084	1	• Bearing	
19	3582087	3	• Piston ring	
20	(3582238)	1	• Gear	Obsolete part
21	3582080	1	• Friction washer	
22	183648	1	• Roller bearing	
23	3582091	X	• Shim	TH=0.10mm
	3582093	X	• Shim	TH=0.15mm
	3582094	X	• Shim	TH=0,20mm
	3582097	X	• Shim	TH=0,50mm
24	(3582240)	1	• Intermedi.shaft kit	Obsolete part
25	184083	1	• • Roller bearing	
26	18473	1	• • Roller bearing	
27	(3582239)	1	• Intermedi.shaft kit	Obsolete part
28	183648	1	• • Roller bearing	
29	18458	1	• • Roller bearing	
30	(3582231)	X	• Shim	Obsolete part, TH=0.10mm
	(3582232)	X	• Shim	Obsolete part, TH=0.15mm
	(3582233)	X	• Shim	Obsolete part, TH=0,20mm
	(3582234)	X	• Shim	Obsolete part, TH=0,50mm
31	(3582241)	1	• Output shaft	Obsolete part
32	184620	1	• • Roller bearing	
33	184678	1	• • Roller bearing	
34	40005864	1	• • Spacer	
35	3582235	1	• Locating pin	
36	40005870	1	• Sealing ring	
37	3582236	1	• Flange	
38	40005874	8	• Hex. socket screw	
39	(3809161)	1	• Suction pipe	Obsolete part
40	942001	1	• Hex. socket screw	

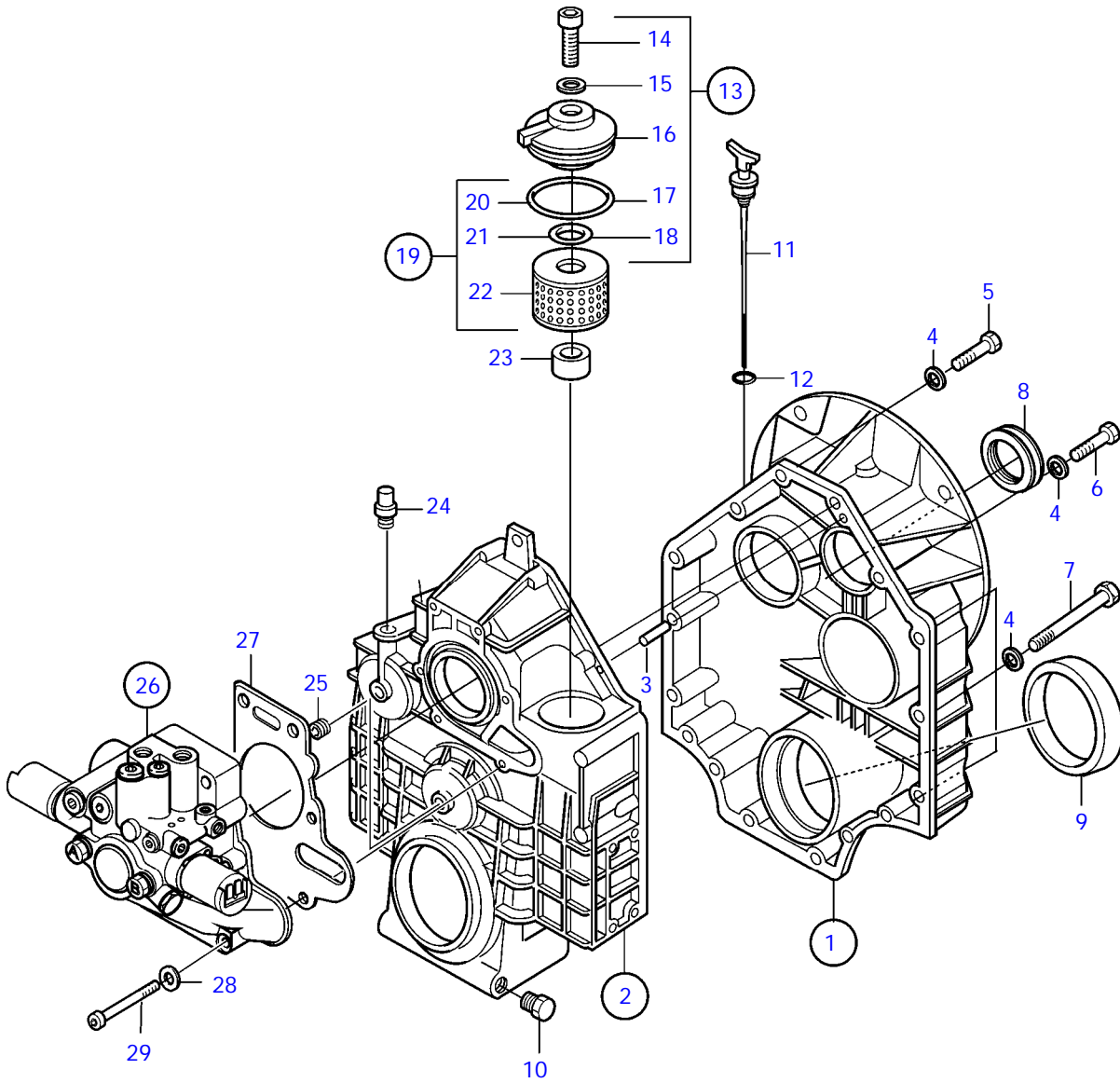


25703

REF	PART NO.	QTY	DESCRIPTION	NOTES
1	21107112	1	Reversing gear	
2	3584030	1	• Input shaft	
3	3584028	1	• • Input shaft	(3582086)
4	3582113	2	• • Ball	
5	3817769	1	• • Piston ring	
6	3817768	1	• • Piston	
7	3582111	2	• • Ring	
8	3817767	6	• • Spring disc	
9	(3582116)	2	• • Snap ring	Obsolete part
10	3817765	10	• • Steel disc	
11	21388176	8	• • Disc	
12	3817764	2	• • End disc	
13	3582103	2	• • Ring	
14	3582089	1	• Key	
15	3582177	4	• Bearing	
16	(3582079)	1	• Gear	Obsolete part
17	3582080	1	• Friction washer	
18	3582084	1	• Bearing	
19	3582087	3	• Piston ring	
20	(3582242)	1	• Gear	Obsolete part
21	3582080	1	• Friction washer	
22	183648	1	• Roller bearing	
23	3582091	X	• Shim	TH=0.10mm
	3582093	X	• Shim	TH=0.15mm
	3582094	X	• Shim	TH=0,20mm
	3582097	X	• Shim	TH=0,50mm
24	(3582244)	1	• Intermedi.shaft kit	Obsolete part
25	184083	1	• • Roller bearing	
26	18473	1	• • Roller bearing	
27	(3582243)	1	• Intermedi.shaft kit	Obsolete part
28	183648	1	• Roller bearing	
29	18458	1	• Roller bearing	
30	(3582231)	X	• Shim	Obsolete part, TH=0.10mm
	(3582232)	X	• Shim	Obsolete part, TH=0.15mm
	(3582233)	X	• Shim	Obsolete part, TH=0,20mm
	(3582234)	X	• Shim	Obsolete part, TH=0,50mm
31	(3582241)	1	• Output shaft	Obsolete part
32	184620	1	• • Roller bearing	
33	184678	1	• • Roller bearing	
34	40005864	1	• • Spacer	
35	3582235	1	• Locating pin	
36	3582228	1	• Sealing ring	
37	3582236	1	• Flange	
38	40005874	8	• Hex. socket screw	
39	(3809161)	1	• Suction pipe	Obsolete part
40	942001	1	• Hex. socket screw	

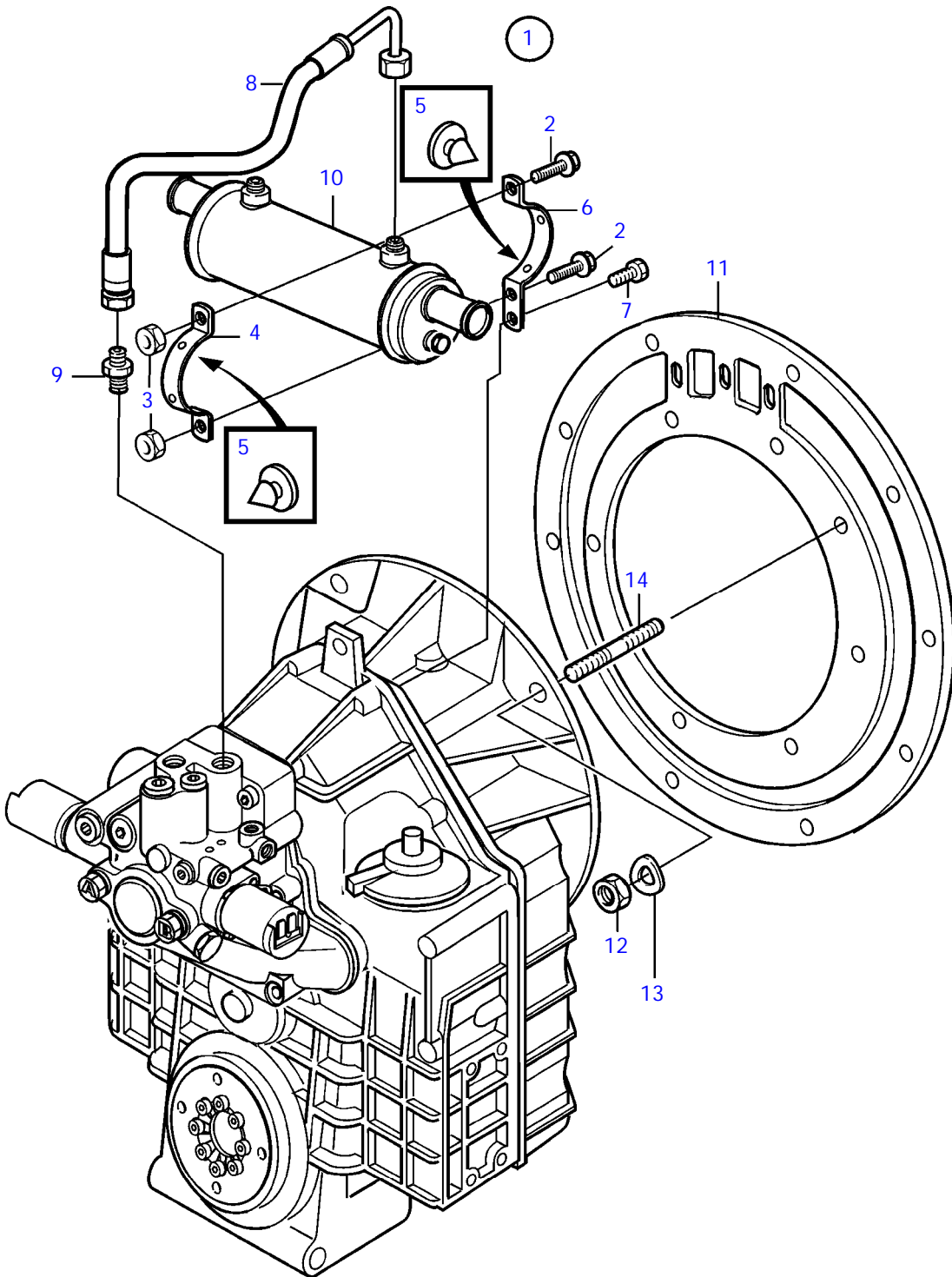


REF	PART NO.	QTY	DESCRIPTION	NOTES
1	21107113	1	Reversing gear	
2	3584030	1	• Input shaft	
3	3584028	1	• • Input shaft	
4	3582113	2	• • Ball	
5	3817769	1	• • Piston ring	
6	3817768	1	• • Piston	
7	3582111	2	• • Ring	
8	3817767	6	• • Spring disc	
9	(3582116)	2	• • Snap ring	Obsolete part
10	3817765	10	• • Steel disc	
11	21388176	8	• • Disc	
12	3817764	2	• • End disc	
13	3582103	2	• • Ring	
14	3582089	1	• Key	
15	3582177	4	• Bearing	
16	(3582079)	1	• Gear	Obsolete part
17	3582080	1	• Friction washer	
18	3582084	1	• Bearing	
19	3582087	3	• Piston ring	
20	(3582242)	1	• Gear	Obsolete part
21	3582080	1	• Friction washer	
22	183648	1	• Roller bearing	
23	3582091	X	• Shim	TH=0.10mm
	3582093	X	• Shim	TH=0.15mm
	3582094	X	• Shim	TH=0,20mm
	3582097	X	• Shim	TH=0,50mm
24	(3582244)	1	• Intermedi.shaft kit	Obsolete part
25	184083	1	• • Roller bearing	
26	18473	1	• • Roller bearing	
27	(3582247)	1	• Intermedi.shaft kit	Obsolete part
28	183648	1	• Roller bearing	
29	18458	1	• Roller bearing	
30	(3582231)	X	• Shim	Obsolete part, TH=0.10mm
	(3582232)	X	• Shim	Obsolete part, TH=0.15mm
	(3582233)	X	• Shim	Obsolete part, TH=0,20mm
	(3582234)	X	• Shim	Obsolete part, TH=0,50mm
31	(3582249)	1	• Output shaft	Obsolete part
32	184620	1	• • Roller bearing	
33	184678	1	• • Roller bearing	
34	3582235	1	• Locating pin	
35	3582228	1	• Sealing ring	
36	3582236	1	• Flange	
37	40005874	8	• Hex. socket screw	
38	(3809161)	1	• Suction pipe	Obsolete part
39	942001	1	• Hex. socket screw	



25706

REF	PART NO.	QTY	DESCRIPTION	SEE SEC.	NOTES
1	(3582221)	1	Housing		Obsolete part
			•	36677	Ratio 1.56:1
			•	36404	Ratio 1.99:1
			•	36676	Ratio 2.48:1
2	40005873	1	Transmission housing		Ratio 1.56:1
			•	36677	Ratio 1.99:1
			•	36404	Ratio 2.48:1
			•	36676	
3	3582045	2	Dowel		
4	941908	16	Spring washer		
5	970949	11	Hexagon screw		
6	970948	1	Hexagon screw		
7	947790	4	Flange screw		
8	3582047	1	Sealing		
9	40005871	1	Sealing ring		Ratio 1.56:1
	3582229	1	Sealing ring		Ratio 1.99:1, 2.48:1
10	479977	1	Plug		
11	3582224	1	Dipstick		
12	3582203	1	• O-ring		
13	3582063	1	Filter cap		
14	940142	1	• Hexagon screw		
15	976944	1	• Washer		
16		1	• Cover		
17	3582065	1	• O-ring		
18	3582064	1	• O-ring		
19	3582069	1	Oil filter, kit		
20	3582065	1	• O-ring		
21	3582064	1	• O-ring		
22		1	• Oil filter		
23	3582049	1	Sealing		
24	40005872	1	Breather cap		Ratio 1.56:1
	3582050	1	Valve		Ratio 1.99:1, 2.48:1
25	3581973	2	Plug		
26	21116463	1	Shift control valve		
			•		
			•	36502	
27	3582046	1	Gasket		
28	941907	6	• Spring washer		
29	941761	6	• Hex. socket screw		

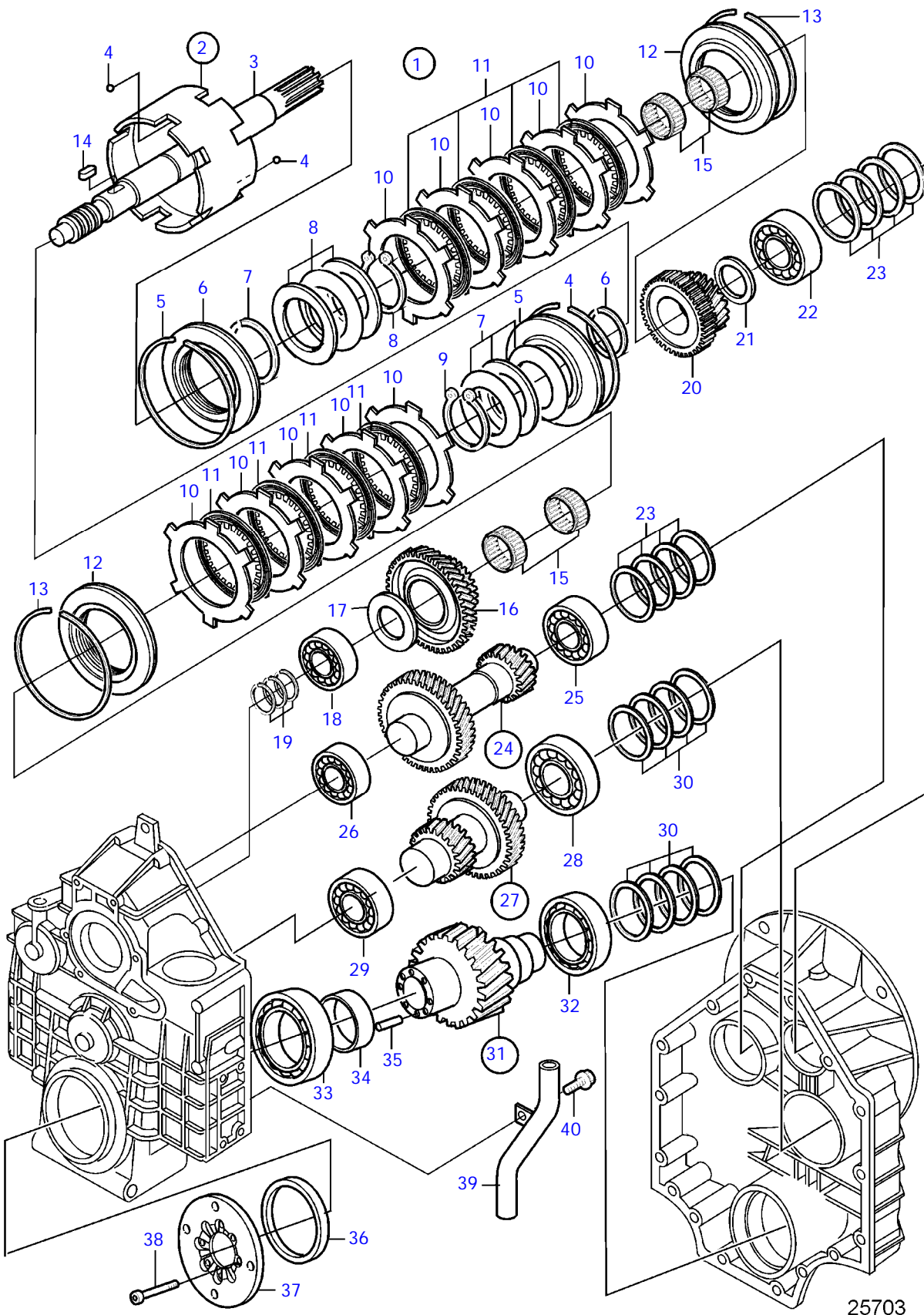


17903

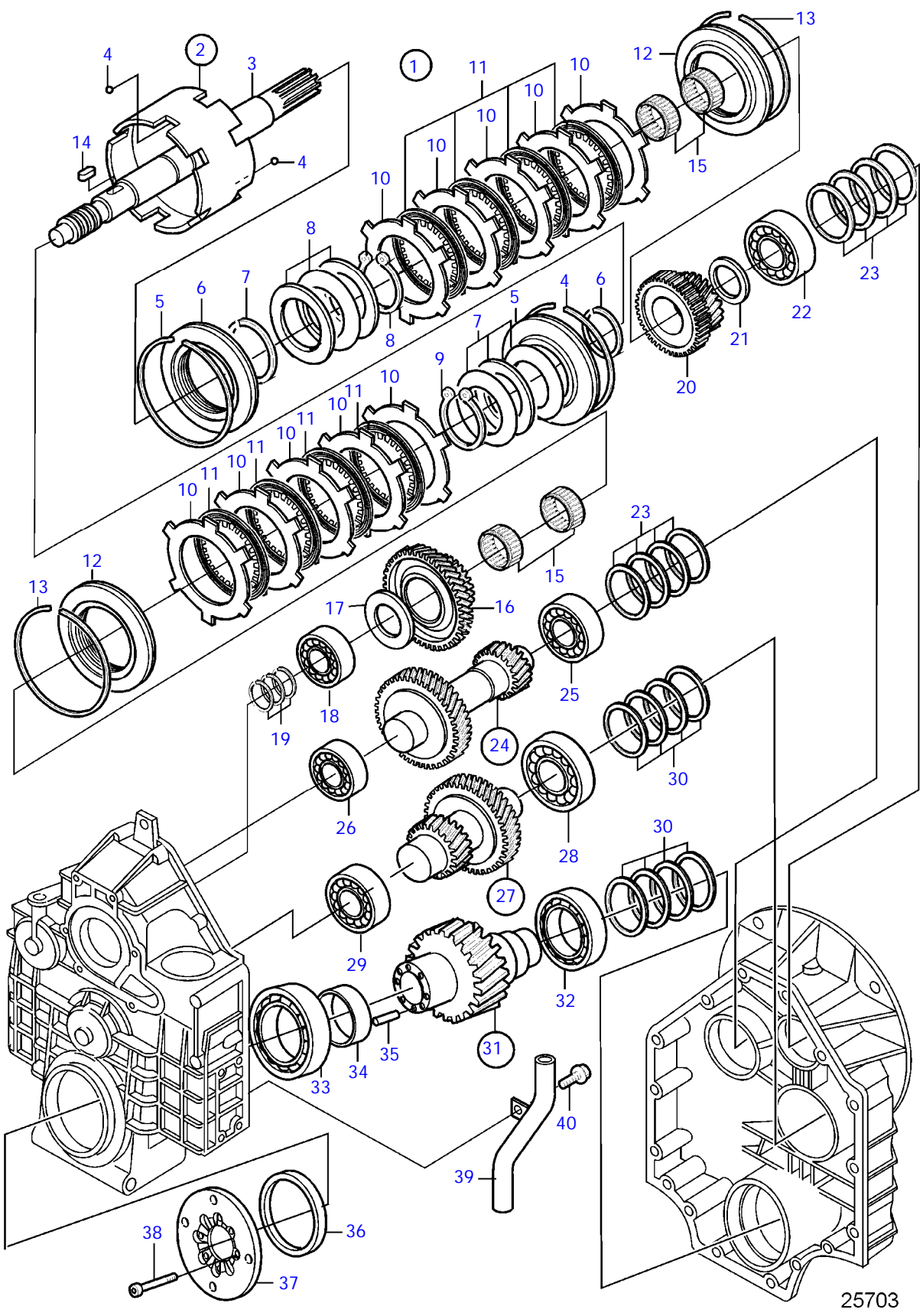
--

REF	PART NO.	QTY	DESCRIPTION
1	3582180	2	Bracket
2	946329	4	• Flange screw
3	971089	4	• Lock nut
4		2	• Bracket
5		4	• Plug
6		2	• Bracket
7		2	Screw
8	3582176	2	Hose
9	3582330	2	Nipple
10	872626	1	Oil cooler
11	3582175	1	Adapter
12	971071	6	Hexagon nut
13	942336	6	Spring washer
14	924075	6	Stud

--	--	--	--



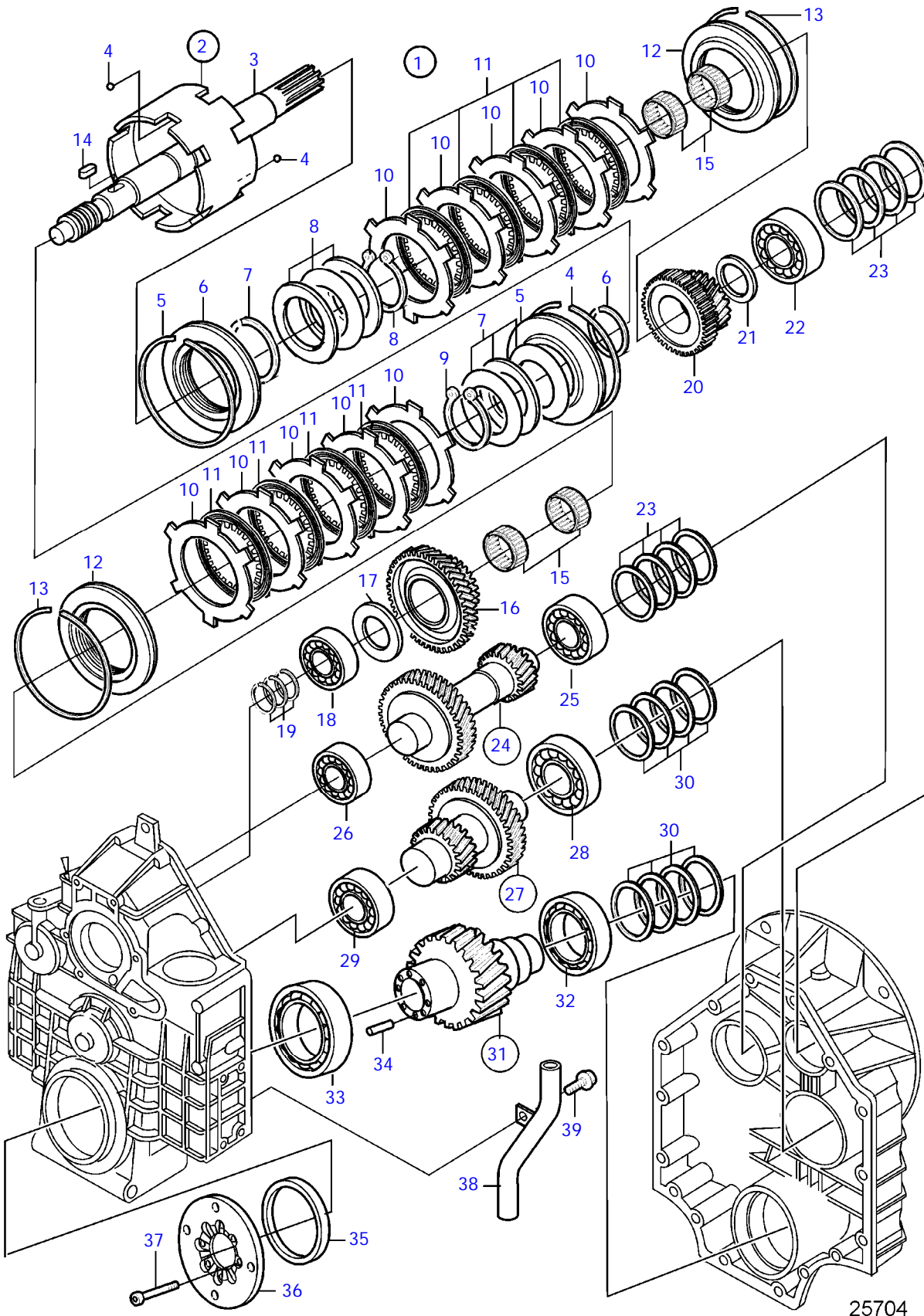
REF	PART NO.	QTY	DESCRIPTION	NOTES
1	(40005675)	1	Reversing gear kit	Obsolete part
2	3584030	1	• Input shaft	(3582074)
3	3584028	1	• • Input shaft	(3582086)
4	3582113	2	• • Ball	
5	3817769	2	• • Piston ring	
6	3817768	2	• • Piston	
7	3582111	2	• • Ring	
8	3582115	6	• • Spring	
9	(3582116)	2	• • Snap ring	Obsolete part
10	3817765	10	• • Steel disc	
11	21388176	8	• • Disc	
12	3817764	2	• • End disc	
13	3582103	2	• • Ring	
14	3582089	1	• Key	
15	3582177	4	• Bearing	
16	(3582079)	1	• Gear	Obsolete part
17	3582080	1	• Friction washer	
18	3582084	1	• Bearing	
19	3582087	3	• Piston ring	
20	(3582238)	1	• Gear	Obsolete part
21	3582080	1	• Friction washer	
22	183648	1	• Roller bearing	
23	3582091	X	• Shim	TH=0.10mm
	3582093	X	• Shim	TH=0.15mm
	3582094	X	• Shim	TH=0,20mm
	3582097	X	• Shim	TH=0,50mm (3582226)
24	(3582240)	1	• Intermedi.shaft kit	Obsolete part
25	184083	1	• • Roller bearing	
26	18473	1	• • Roller bearing	
27	(3582239)	1	• Intermedi.shaft kit	Obsolete part
28	183648	1	• • Roller bearing	
29	18458	1	• • Roller bearing	
30	(3582231)	X	• Shim	Obsolete part, TH=0.10mm
	(3582232)	X	• Shim	Obsolete part, TH=0.15mm
	(3582233)	X	• Shim	Obsolete part, TH=0,20mm
	(3582234)	X	• Shim	Obsolete part, TH=0,50mm
31	(3582241)	1	• Output shaft	Obsolete part
32	184678	1	• • Roller bearing	
33	184620	1	• • Roller bearing	
34	40005864	1	• • Spacer	
35	3582235	4	• Locating pin	
36	40005870	1	• Sealing ring	
37	3582236	1	• Flange	
38	40005874	8	• Hex. socket screw	
39	(3809161)	1	• Suction pipe	Obsolete part
40	942001	1	• Hex. socket screw	



25703



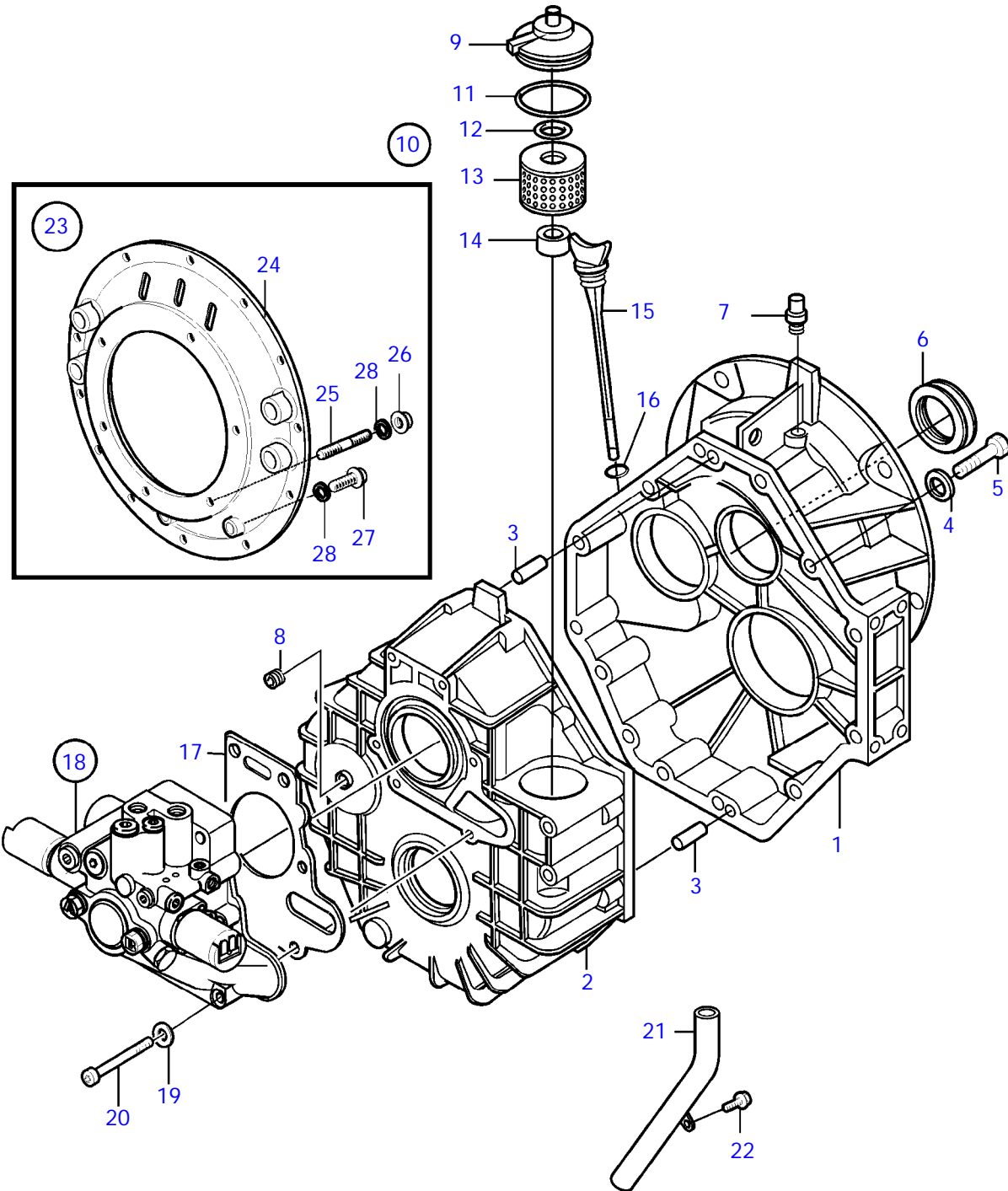
REF	PART NO.	QTY	DESCRIPTION	NOTES
1	(40005676)	1	Reversing gear kit	Obsolete part
2	3584030	1	• Input shaft	(3582074)
3	3584028	1	• • Input shaft	(3582086)
4	3582113	2	• • Ball	
5	3817769	2	• • Piston ring	
6	3817768	2	• • Piston	
7	3582111	2	• • Ring	
8	3582115	6	• • Spring	
9	(3582116)	2	• • Snap ring	Obsolete part
10	3817765	10	• • Steel disc	
11	21388176	8	• • Disc	
12	3817764	2	• • End disc	
13	3582103	2	• • Ring	
14	3582089	1	• Key	
15	3582177	4	• Bearing	
16	(3582079)	1	• Gear	Obsolete part
17	3582080	1	• Friction washer	
18	3582084	1	• Bearing	
19	3582087	3	• Piston ring	
20	(3582242)	1	• Gear	Obsolete part
21	3582080	1	• Friction washer	
22	183648	1	• Roller bearing	
23	3582091	X	• Shim	TH=0.10mm
	3582093	X	• Shim	TH=0.15mm
	3582094	X	• Shim	TH=0,20mm
	3582097	X	• Shim	TH=0,50mm (3582226)
24	(3582244)	1	• Intermedi.shaft kit	Obsolete part
25	184083	1	• • Roller bearing	(3582082)
26	18473	1	• • Roller bearing	
27	(3582243)	1	• Intermedi.shaft kit	Obsolete part
28	183648	1	• • Roller bearing	
29	18458	1	• • Roller bearing	
30	(3582231)	X	• Shim	Obsolete part, TH=0.10mm
	(3582232)	X	• Shim	Obsolete part, TH=0.15mm
	(3582233)	X	• Shim	Obsolete part, TH=0,20mm
	(3582234)	X	• Shim	Obsolete part, TH=0,50mm
31	(3582241)	1	• Output shaft	Obsolete part
32	184678	1	• • Roller bearing	
33	184620	1	• • Roller bearing	
34	40005864	1	• • Spacer	
35	3582235	4	• Locating pin	
36	3582228	1	• Sealing ring	
37	3582236	1	• Flange	
38	40005874	8	• Hex. socket screw	
39	(3809161)	1	• Suction pipe	Obsolete part
40	942001	1	• Hex. socket screw	



25704

REF	PART NO.	QTY	DESCRIPTION	NOTES
1	(40005677)	1	Reversing gear kit	Obsolete part
2	3584030	1	• Input shaft	(3582074)
3	3584028	1	• • Input shaft	(3582086)
4	3582113	2	• • Ball	
5	3817769	2	• • Piston ring	
6	3817768	2	• • Piston	
7	3582111	2	• • Ring	
8	3582115	6	• • Spring	
9	(3582116)	2	• • Snap ring	Obsolete part
10	3817765	10	• • Steel disc	
11	21388176	8	• • Disc	
12	3817764	2	• • End disc	
13	3582103	2	• • Ring	
14	3582089	1	• Key	
15	3582177	4	• Bearing	
16	(3582079)	1	• Gear	Obsolete part
17	3582080	1	• Friction washer	
18	3582084	1	• Bearing	
19	3582087	3	• Piston ring	
20	(3582242)	1	• Gear	Obsolete part
21	3582080	1	• Friction washer	
22	183648	1	• Roller bearing	
23	3582091	X	• Shim	TH=0.10mm
	3582093	X	• Shim	TH=0.15mm
	3582094	X	• Shim	TH=0,20mm
	3582097	X	• Shim	TH=0,50mm (3582226)
24	(3582244)	1	• Intermedi.shaft kit	Obsolete part
25	184083	1	• • Roller bearing	
26	18473	1	• • Roller bearing	
27	(3582247)	1	• Intermedi.shaft kit	Obsolete part
28	183648	1	• • Roller bearing	
29	18458	1	• • Roller bearing	
30	(3582231)	X	• Shim	Obsolete part, TH=0.10mm
	(3582232)	X	• Shim	Obsolete part, TH=0.15mm
	(3582233)	X	• Shim	Obsolete part, TH=0,20mm
	(3582234)	X	• Shim	Obsolete part, TH=0,50mm
31	(3582249)	1	• Output shaft	Obsolete part
32	184678	1	• • Roller bearing	
33	184620	1	• • Roller bearing	
34	3582235	4	• Locating pin	
35	3582228	1	• Sealing ring	
36	3582236	1	• Flange	
37	40005874	8	• Hex. socket screw	
38	(3809161)	1	• Suction pipe	Obsolete part
39	942001	1	• Hex. socket screw	

HS80AE-A

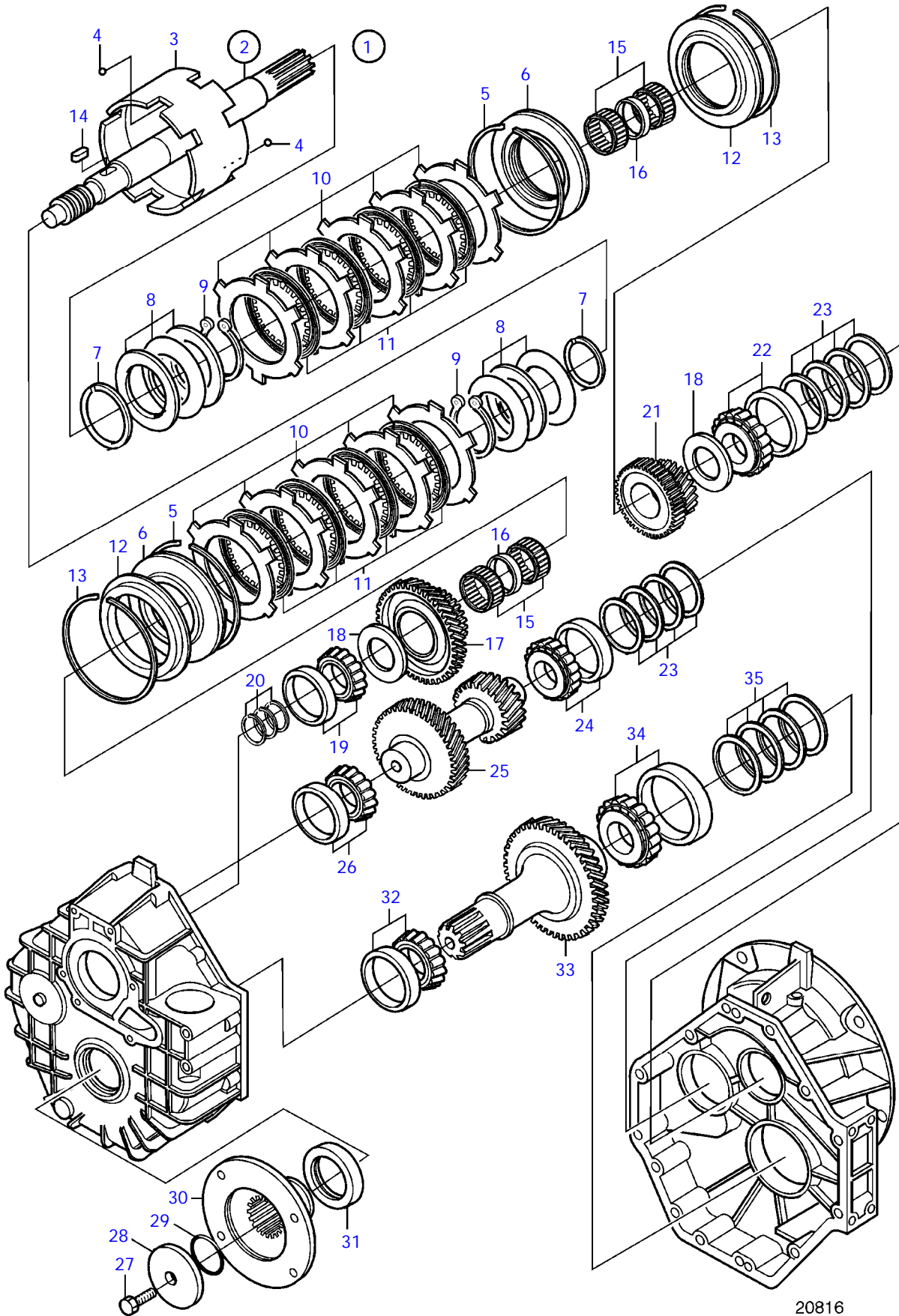


25505

HS80AE-A

REF	PART NO.	QTY	DESCRIPTION	SEE SEC.
1	3584175	1	Housing	
2	3584171	1	Housing	
3	3582045	2	Dowel	
4	941908	14	Spring washer	
5	970949	14	Hexagon screw	
6	3582047	1	Sealing	
7	3582050	1	Valve	
8	3581973	1	Plug	
9	3582063	1	Filter cap	
10	3582069	1	Oil filter	
11	3582065	1	• O-ring	
12	3582064	1	• O-ring	
13		1	• Oil filter	
14	3582049	1	Sealing	
15	3584176	1	Oil dipstick	
16	3582203	1	• O-ring	
17	3582046	1	Gasket	
18	3582188	1	Valve	
			•	
			•	4414
19	941907	6	Spring washer	
20	941761	6	Hex. socket screw	
21	3584173	1	Suction pipe	
22	942001	1	Hex. socket screw	
23	3888151	1	Adapter kit	
24	3584253	1	• Cover	
25	479971	6	• Stud	
26	971071	6	• Hexagon nut	
27	965185	3	• Flange screw	
28	941908	9	• Spring washer	

HS80AE-A

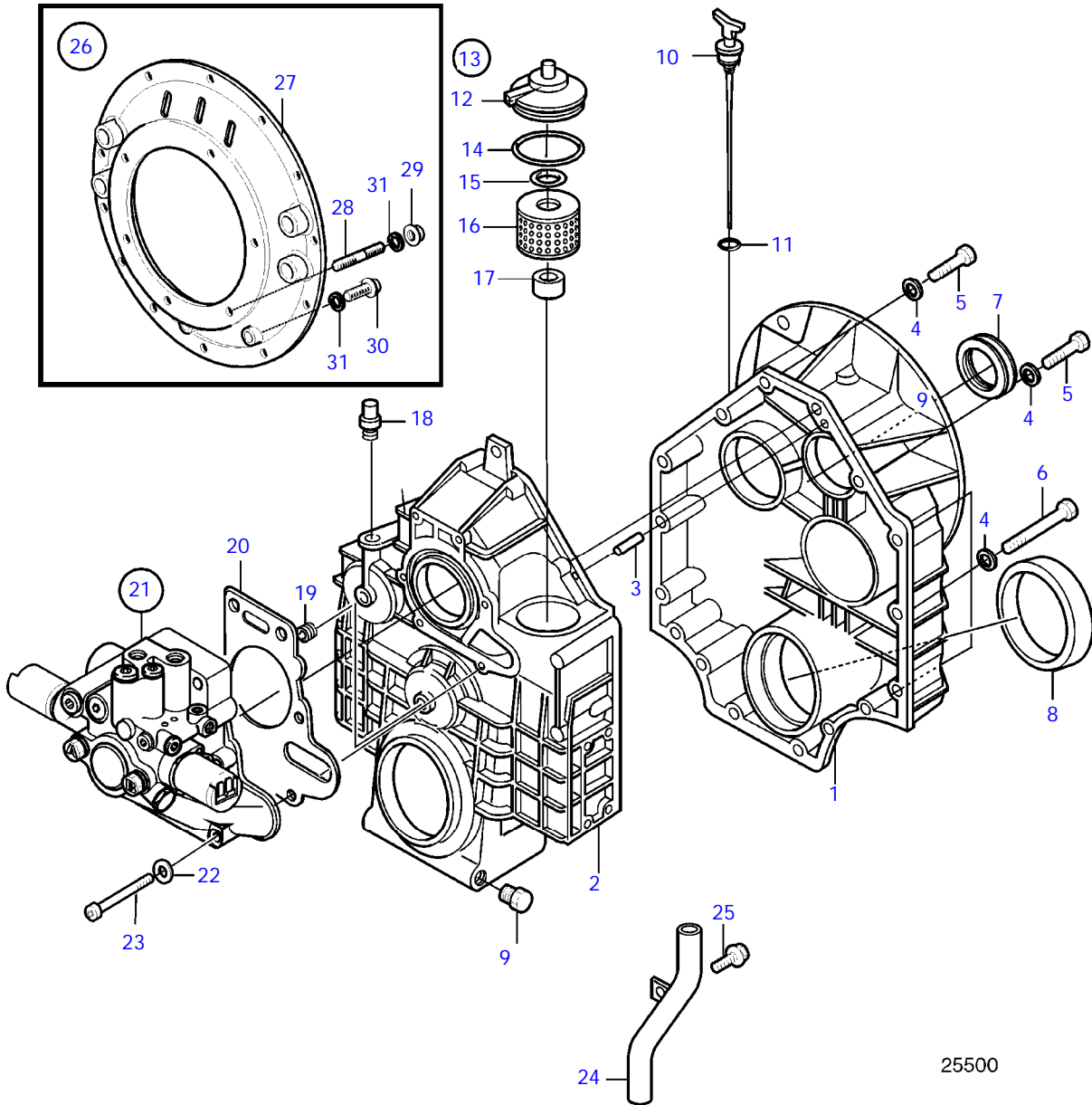


20816

HS80AE-A

REF	PART NO.	QTY	DESCRIPTION	NOTES
1	3885952	1	Reversing gear kit	Ratio 1.57:1
	3885954	1	Reversing gear kit	Ratio 1.96:1
	3885958	1	Reversing gear kit	Ratio 2.50:1
2	3584182	1	• Input shaft	
3	3584198	1	• • Input shaft	
4	3582113	2	• • Ball	
5	3817769	2	• • Piston ring	
6	3582107	2	• • Piston	
7	3582111	2	• • Ring	
8	3584029	6	• • Spring	
9	(3582116)	2	• • Snap ring	Obsolete part
10	3582101	12	• • Disc	
11	3582099	10	• • Disc	
12	3582105	2	• • Disc	
13	3582103	2	• • Ring	
14	3582089	1	• Key	
15	3582177	4	• Bearing	
16	3584191	2	• Spacer	
17	3584192	1	• Gear	
18	3584180	2	• Ring	
19	183648	1	• Roller bearing	
20	3582087	3	• Piston ring	
21	3584384	1	• Gear	Ratio 1.57:1
	3584192	1	• Gear	Ratio 1.96:1
	3584195	1	• Gear	Ratio 2.50:1
22	3584387	1	• Bearing	
23	3584183	X	• Shim	TH=0.10mm
	3584184	X	• Shim	TH=0.15mm
	3584185	X	• Shim	TH=0,20mm
	3584186	X	• Shim	TH=0,50mm
	3584187	X	• Shim	TH=1,00mm
24	11137	1	• Roller bearing	
25	3584385	1	• Countershaft	Ratio 1.57:1
	3584193	1	• Countershaft	Ratio 1.96:1
	3584196	1	• Countershaft	Ratio 2.50:1
26	184083	1	• Roller bearing	
27	955365	1	• Hexagon screw	
28	3584179	1	• Washer	
29	3584178	1	• O-ring	
30	3584177	1	• Flange	
31	3584172	1	• Sealing	
32	11075	1	• Roller bearing	
33	3584386	1	• Output shaft	Ratio 1.57:1
	3584194	1	• Output shaft	Ratio 1.96:1
	3584197	1	• Output shaft	Ratio 2.50:1
34	184694	1	• Roller bearing	
35	3584188	X	• Shim	TH=0.10mm
	3584189	X	• Shim	TH=0.15mm
	3584190	X	• Shim	TH=0,30mm

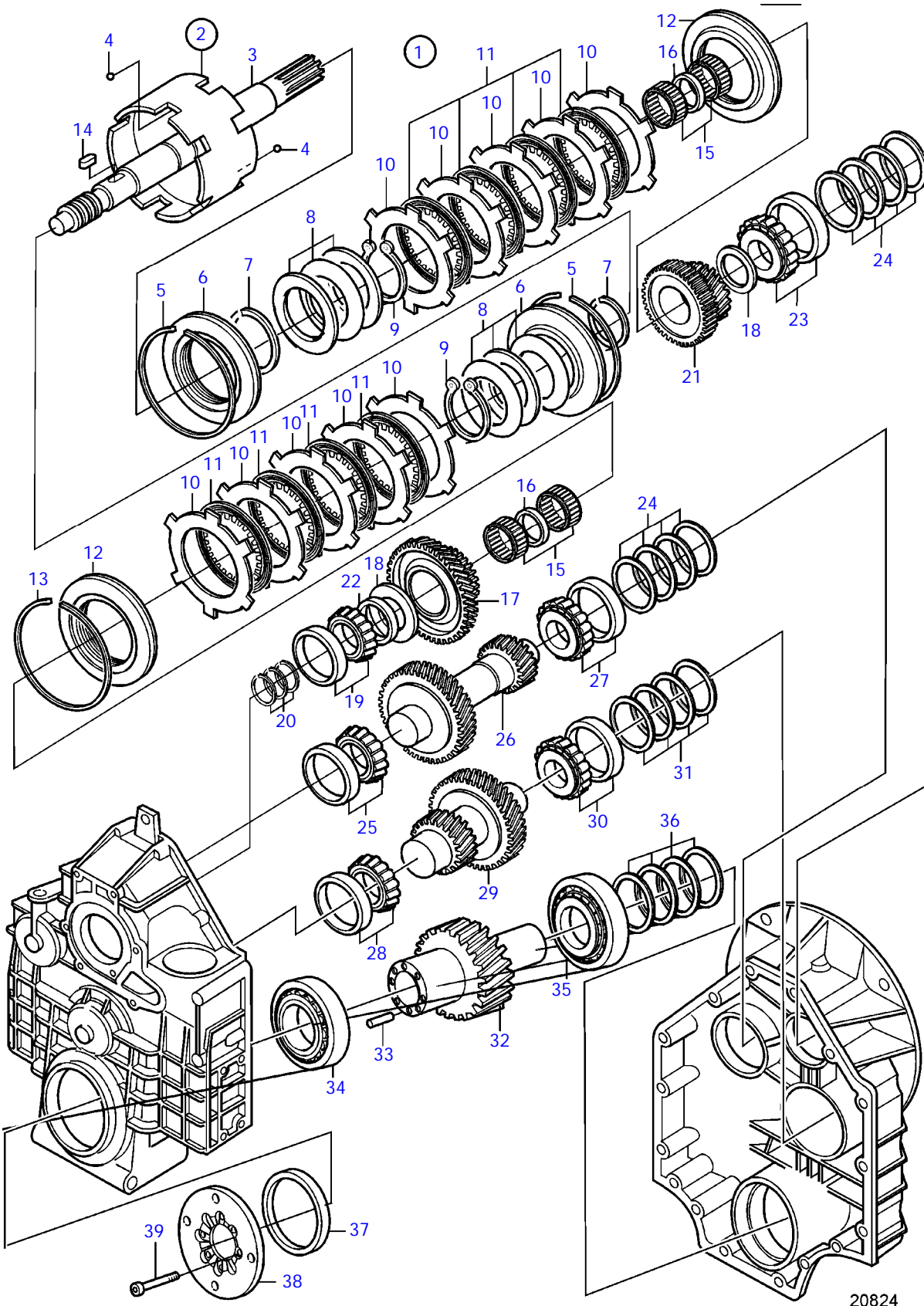
HS80IVE-A



HS80IVE-A

REF	PART NO.	QTY	DESCRIPTION	SEE SEC.	NOTES
1	(3584411)	1	Transmission housing		Obsolete part
2	3584408	1	Transmission housing		
3	3582045	2	Dowel		
4	941908	16	Spring washer		
5	970949	15	Hexagon screw		
6	955304	1	Hexagon screw		
7	3582047	1	Sealing		
8	3886165	1	Sealing ring		
9	3584460	1	Plug		
10	3584176	1	Oil dipstick		
11	3582203	1	• O-ring		
12	3582063	1	Filter cap		
13	3582069	1	Oil filter, kit		
14	3582065	1	• O-ring		
15	3582064	1	• O-ring		
16		1	• Oil filter		
17	3582049	1	Sealing		
18	3582050	1	Valve		
19	3581973	2	Plug		
20	3582046	1	Gasket		
21	3582188	1	Valve		
			•		
			•	4414	
22	941907	6	Spring washer		
23	941761	6	Hex. socket screw		
24	(3584410)	1	Suction pipe		Obsolete part
25	942001	1	Hex. socket screw		
26	3888151	1	Adapter kit		
27	3584253	1	• Cover		
28	479971	6	• Stud		
29	971071	6	• Hexagon nut		
30	965185	3	• Flange screw		
31	941908	9	• Spring washer		

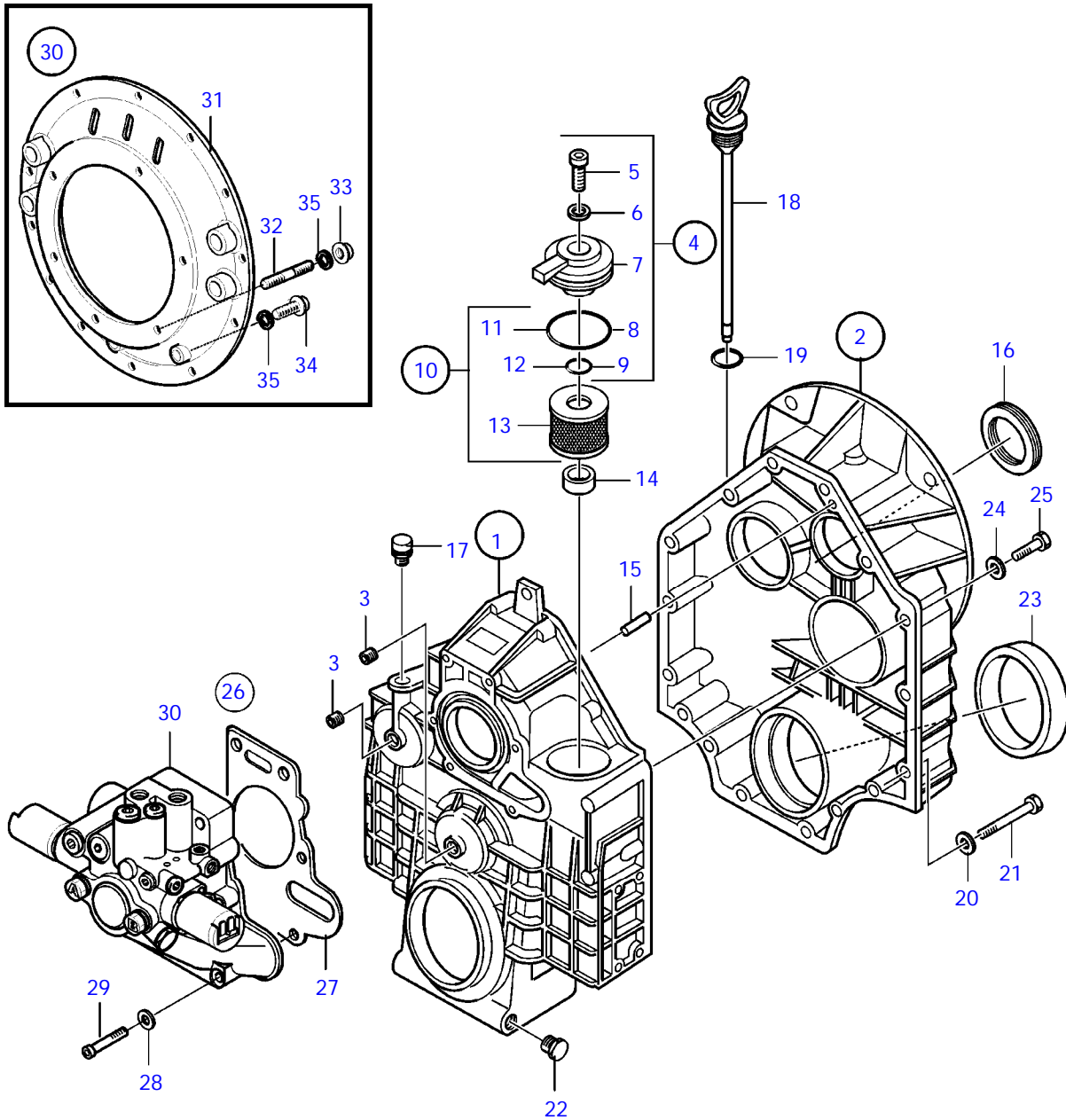
HS80IVE-A



20824

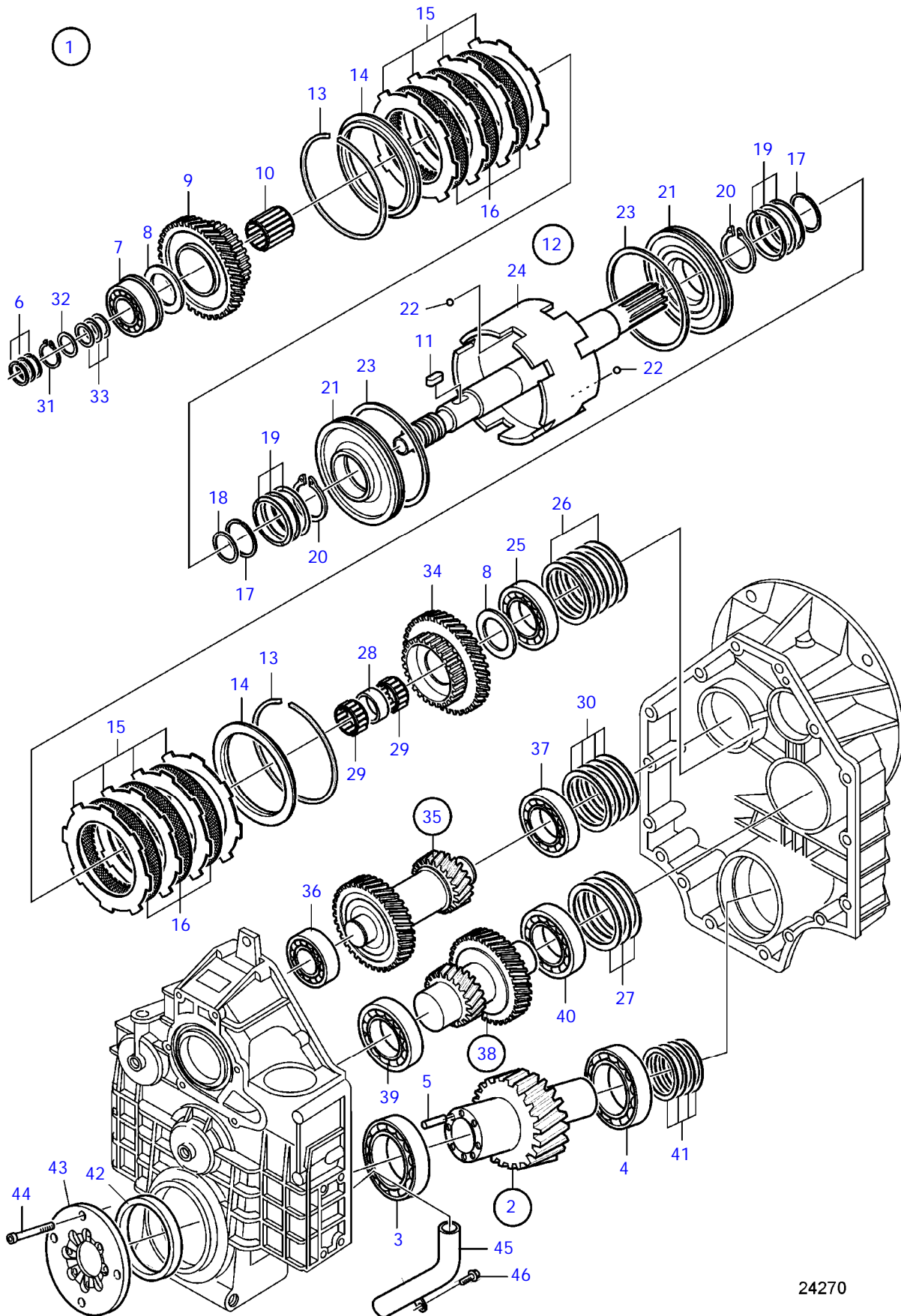
HS80IVE-A

REF	PART NO.	QTY	DESCRIPTION	NOTES
1	3885960	1	Reversing gear kit	Ratio 1.64:1
	3885962	1	Reversing gear kit	Ratio 2.01:1
	3885964	1	Reversing gear kit	Ratio 2.49:1
2	3584182	1	• Input shaft	
3	3584198	1	• • Input shaft	
4	3582113	2	• • Ball	
5	3817769	2	• • Piston ring	
6	3582107	2	• • Piston	
7	3582111	2	• • Ring	
8	3584029	6	• • Spring	
9	(3582116)	2	• • Snap ring	Obsolete part
10	3582101	12	• • Disc	
11	3582099	10	• • Disc	
12	3582105	2	• • Disc	
13	3582103	2	• • Ring	
14	3582089	1	• Key	
15	3582177	4	• Bearing	
16	3584191	2	• Spacer	
17	3584392	1	• Reverse gear	
18	3584180	2	• Ring	
19	183648	1	• Roller bearing	
20	3582087	3	• Piston ring	
21	3584397	1	• Gear	Ratio 1.64:1
	3584401	1	• Gear	Ratio 2.01:1
	3584405	1	• Gear	Ratio 2.49:1
22	(3584391)	1	• Spacer	Obsolete part
23	3584387	1	• Bearing	
24	3584183	X	• Shim	TH=0.10mm
	3584184	X	• Shim	TH=0.15mm
	3584185	X	• Shim	TH=0.20mm
	3584186	X	• Shim	TH=0.50mm
	3584187	X	• Shim	TH=1.00mm
25	11137	1	• Roller bearing	
26	3584398	1	• Countershaft	Ratio 1.64:1
	3584402	1	• Countershaft	Ratio 2.01:1
	3584406	1	• Countershaft	Ratio 2.49:1
27	183648	1	• Roller bearing	
28	(11074)	1	• Roller bearing	Obsolete part
29	3584399	1	• Countershaft	Ratio 1.64:1
	3584403	1	• Countershaft	Ratio 2.01:1
	3584407	1	• Countershaft	Ratio 2.49:1
30	18458	1	• Roller bearing	
31	(3582231)	X	• Shim	Obsolete part, TH=0.10mm
	(3582232)	X	• Shim	Obsolete part, TH=0.15mm
	(3582233)	X	• Shim	Obsolete part, TH=0.20mm
	(3582234)	X	• Shim	Obsolete part, TH=0.50mm
32	3584400	1	• Output shaft	Ratio 1.64:1
	3584403	1	• Countershaft	Ratio 2.01:1
	3584407	1	• Countershaft	Ratio 2.49:1
33	(3582044)	4	• Locating pin	Obsolete part
34	19468	1	• Roller bearing	
35	184622	1	• Roller bearing	
36	3584393	X	• Shim	TH=0.10mm
	3584394	X	• Shim	TH=0.15mm
	3584395	X	• Shim	TH=0.20mm
	3584396	X	• Shim	TH=0.50mm
37	3886166	1	• Sealing ring	
38	3584390	1	• Flange	
39	966789	8	• Hex. socket screw	



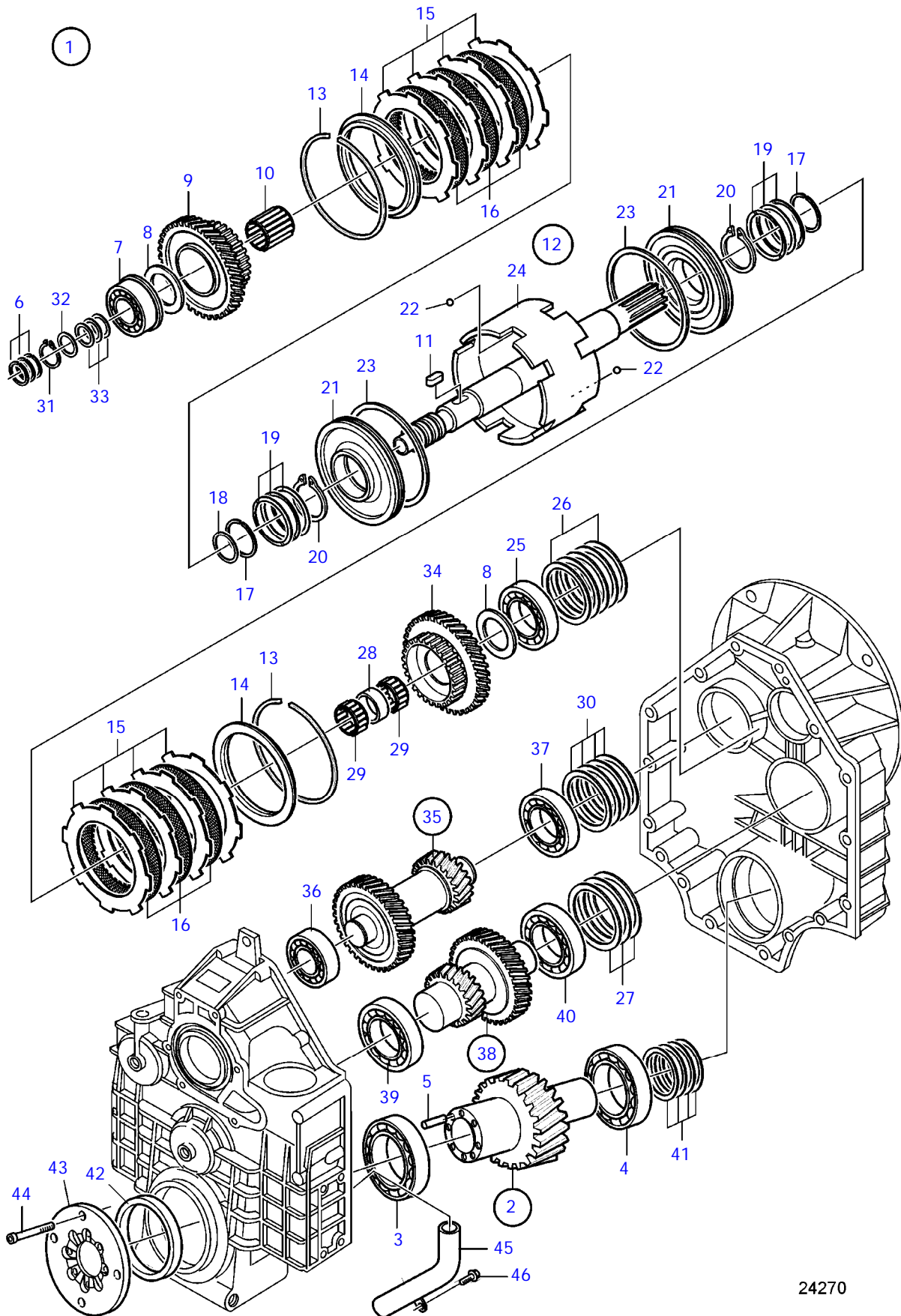
25725

REF	PART NO.	QTY	DESCRIPTION	SEE SEC.	NOTES
1	3886162	1	Housing		Ratio 1.64:1
			•	36682	Ratio 2.01:1
			•	36683	Ratio 2.49:1, HS80IVE-B
			•	36684	Ratio 2.49:1, HS85IVE-A
			•	36688	
2	3886168	1	Housing		Ratio 1.64:1
			•	36682	Ratio 2.01:1
			•	36683	Ratio 2.49:1, HS80IVE-B
			•	36684	Ratio 2.49:1, HS85IVE-A
			•	36688	
3	3581973	2	Plug		
4	3582063	1	Filter cap		
5	940142	1	• Hexagon screw		
6	976944	1	• Washer		
7		1	• Cover		
8	3582065	1	• O-ring		
9	3582064	1	• O-ring		
10	3582069	1	Oil filter		
11	3582065	1	• O-ring		
12	3582064	1	• O-ring		
13		1	• Oil filter		
14	3582049	1	Sealing		
15	3582045	2	Dowel		
16	3886091	1	Sealing ring		
17	3582050	1	Valve		
18	3817759	1	Oil dipstick		
19	3582203	1	• O-ring		
20	941908	1	Spring washer		
21	970956	1	Hexagon screw		
22	3584460	1	Plug		
23	3886165	1	Sealing ring		
24	941908	15	Spring washer		
25	970949	15	Hexagon screw		
26	3889026	1	Shift control valve		
			•	36502	
			•		
27	3582046	1	• Gasket		
28	941907	1	• Spring washer		
29	941761	1	• Hex. socket screw		
30	3888151	1	Adapter kit		
31	3584253	1	• Cover		
32	479971	6	• Stud		
33	971071	6	• Hexagon nut		
34	965185	3	• Flange screw		
35	941908	9	• Spring washer		



24270

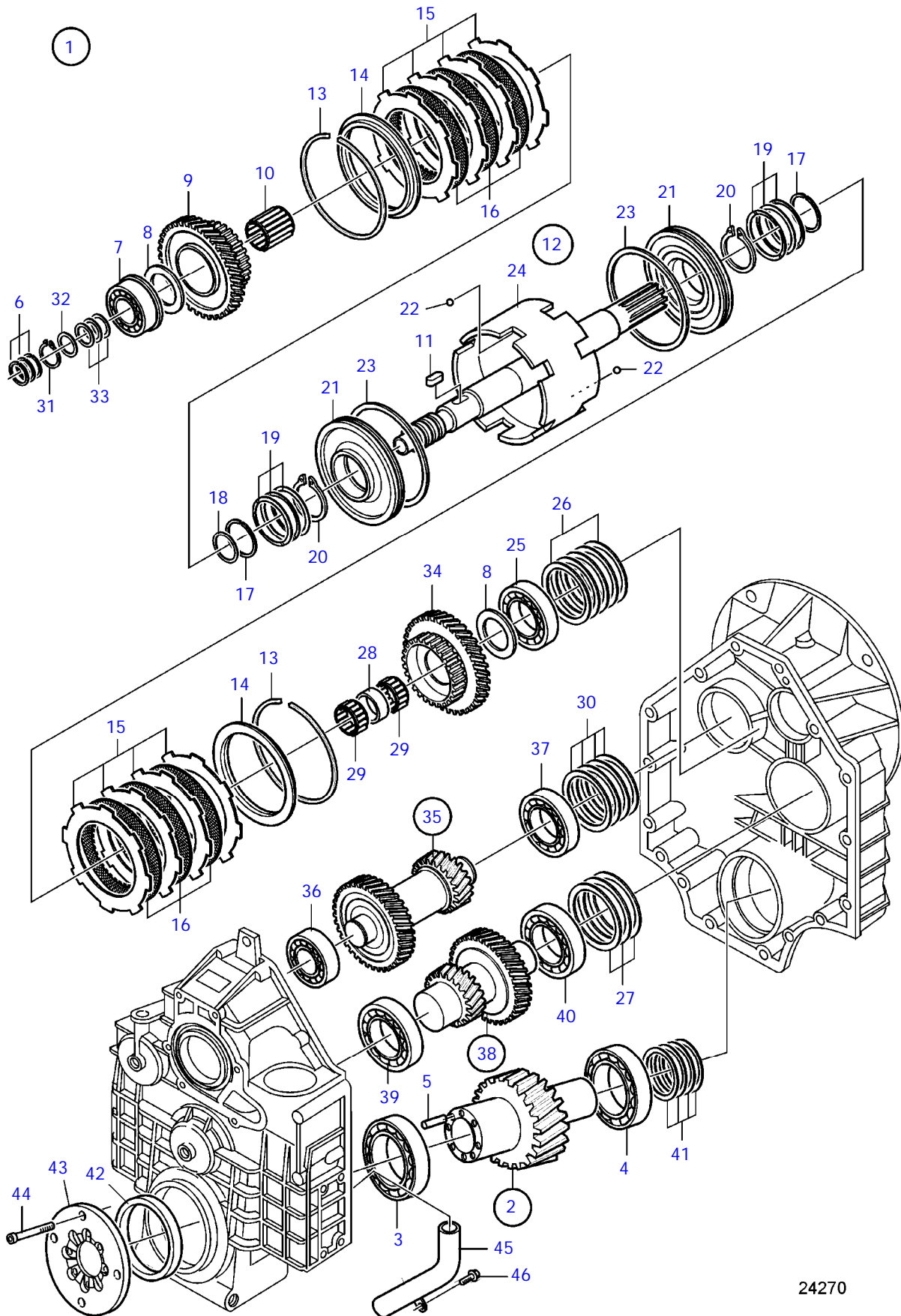
REF	PART NO.	QTY	DESCRIPTION	NOTES
1	3885960	1	Reversing gear kit	
2	3886194	1	• Output shaft	
3	19468	1	• • Roller bearing	
4	184622	1	• • Roller bearing	
5	(3582044)	4	• Locating pin	Obsolete part
6	3582087	3	• Piston ring	
7	183405	1	• Roller bearing	
8	3888136	2	• Ring	
9	3888990	1	• Reverse gear	
10	3886096	1	• Needle bearing	
11	3582089	1	• Key	
12	3888196	1	• Input shaft	
13	3817760	2	• Lock ring	
14	3886098	2	• • Companion disc	
15	3886099	10	• • Clutch	
16	3886100	8	• • Clutch	
17	3886101	2	• • Retainer	
18	3888137	1	• • Thrust washer	
19	3886102	6	• • Spring	
20	3582111	2	• • Ring	
21	3888197	2	• • Piston	
22	3582113	2	• • Ball	
23	3888198	2	• • Piston ring	
24	3888199	1	• • Input shaft	
25	18494	1	• Roller bearing	
26	3584183	X	• Shim	TH=0,10mm
	3584184	X	• Shim	TH=0,15mm
	3584185	X	• Shim	TH=0,20mm
	3584186	X	• Shim	TH=0,50mm
	3584187	X	• Shim	TH=1,00mm
27	3584188	X	• Shim	TH=0,15mm
	3584189	X	• Shim	TH=0,20mm
	3584190	X	• Shim	TH=0,50mm
28	3886108	1	• Spacer	
29	3886109	1	• Needle bearing	
30	3886110	X	• Shim	TH=0,10mm
	3886111	X	• Shim	TH=0,15mm
	3886112	X	• Shim	TH=0,20mm
	3886113	X	• Shim	TH=0,50mm
31	3888138	1	• Snap ring	
32	3888139	X	• Shim	
33	3888140	X	• Shim	TH=0,10mm
	3888141	X	• Shim	TH=0,15mm
	3888142	X	• Shim	TH=0,20mm
34	3886191	1	• Gear	
35	3886192	1	• Countershaft	
36	184083	1	• • Roller bearing	
37	11137	1	• • Roller bearing	
38	3886193	1	• Countershaft	
39	(11074)	1	• • Roller bearing	Obsolete part
40	18458	1	• • Roller bearing	
41	3886175	X	• Shim	TH=0,10mm
	3886176	X	• Shim	TH=0,15mm
	3886177	X	• Shim	TH=0,20mm
	3886178	X	• Shim	TH=0,50mm
42	3886166	1	• Sealing ring	
43	3886169	1	• Flange	
44	966789	8	• Hex. socket screw	
45	3886164	1	• Suction pipe	
46	946544	1	• Flange screw	



24270

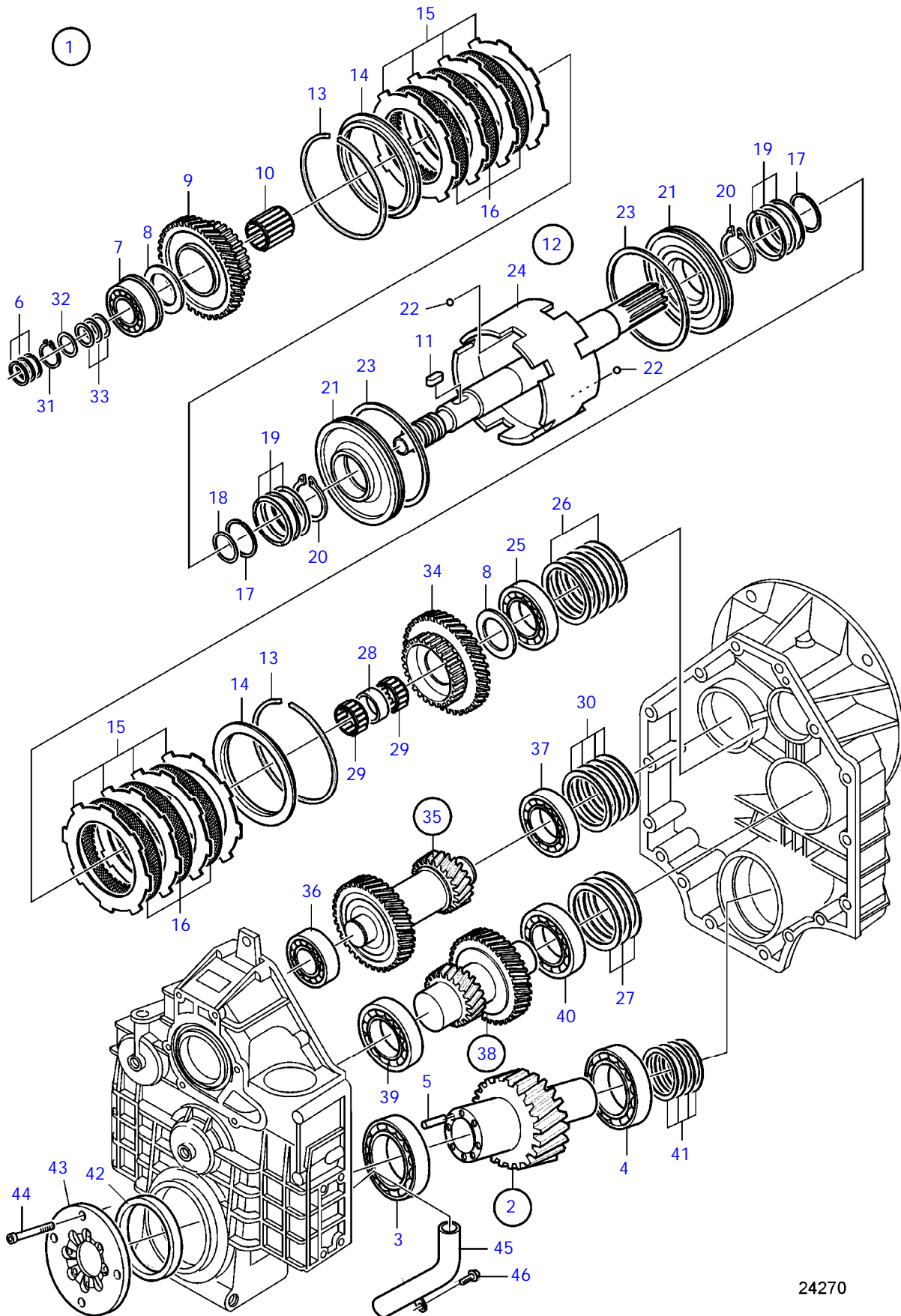


REF	PART NO.	QTY	DESCRIPTION	NOTES
1	3885962	1	Reversing gear kit	
2	3888992	1	• Output shaft	
3	19468	1	• • Roller bearing	
4	184622	1	• • Roller bearing	
5	(3582044)	4	• Locating pin	Obsolete part
6	3582087	3	• Piston ring	
7	183405	1	• Roller bearing	
8	3888136	2	• Ring	
9	3888990	1	• Reverse gear	
10	3886096	1	• Needle bearing	
11	3582089	1	• Key	
12	3888196	1	• Input shaft	
13	3817760	2	• Lock ring	
14	3886098	2	• • Companion disc	
15	3886099	10	• • Clutch	
16	3886100	8	• • Clutch	
17	3886101	2	• • Retainer	
18	3888137	1	• • Thrust washer	
19	3886102	6	• • Spring	
20	3582111	2	• • Ring	
21	3888197	2	• • Piston	
22	3582113	X	• • Ball	
23	3888198	2	• • Piston ring	
24	3888199	1	• • Input shaft	
25	18494	X	• Roller bearing	
26	3584183	X	• Shim	TH=0,10mm
	3584184	X	• Shim	TH=0,15mm
	3584185	X	• Shim	TH=0,20mm
	3584186	X	• Shim	TH=0,50mm
	3584187	X	• Shim	TH=1,00mm
27	3584188	X	• Shim	TH=0,15mm
	3584189	X	• Shim	TH=0,20mm
	3584190	X	• Shim	TH=0,50mm
28	3886108	1	• Spacer	
29	3886109	1	• Needle bearing	
30	3886110	X	• Shim	TH=0,10mm
	3886111	X	• Shim	TH=0,15mm
	3886112	X	• Shim	TH=0,20mm
	3886113	X	• Shim	TH=0,50mm
31	3888138	1	• Snap ring	
32	3888139	X	• Shim	
33	3888140	X	• Shim	TH=0,10mm
	3888141	X	• Shim	TH=0,15mm
	3888142	X	• Shim	TH=0,20mm
34	3886195	1	• Gear	
35	3886196	1	• Countershaft	
36	184083	1	• • Roller bearing	
37	11137	1	• • Roller bearing	
38	3886197	1	• Countershaft	
39	(11074)	1	• • Roller bearing	Obsolete part
40	18458	1	• • Roller bearing	
41	3886175	X	• Shim	TH=0,10mm
	3886176	X	• Shim	TH=0,15mm
	3886177	X	• Shim	TH=0,20mm
	3886178	X	• Shim	TH=0,50mm
42	3886166	1	• Sealing ring	
43	3886169	1	• Flange	
44	966789	8	• Hex. socket screw	
45	3886164	1	• Suction pipe	
46	946544	1	• Flange screw	



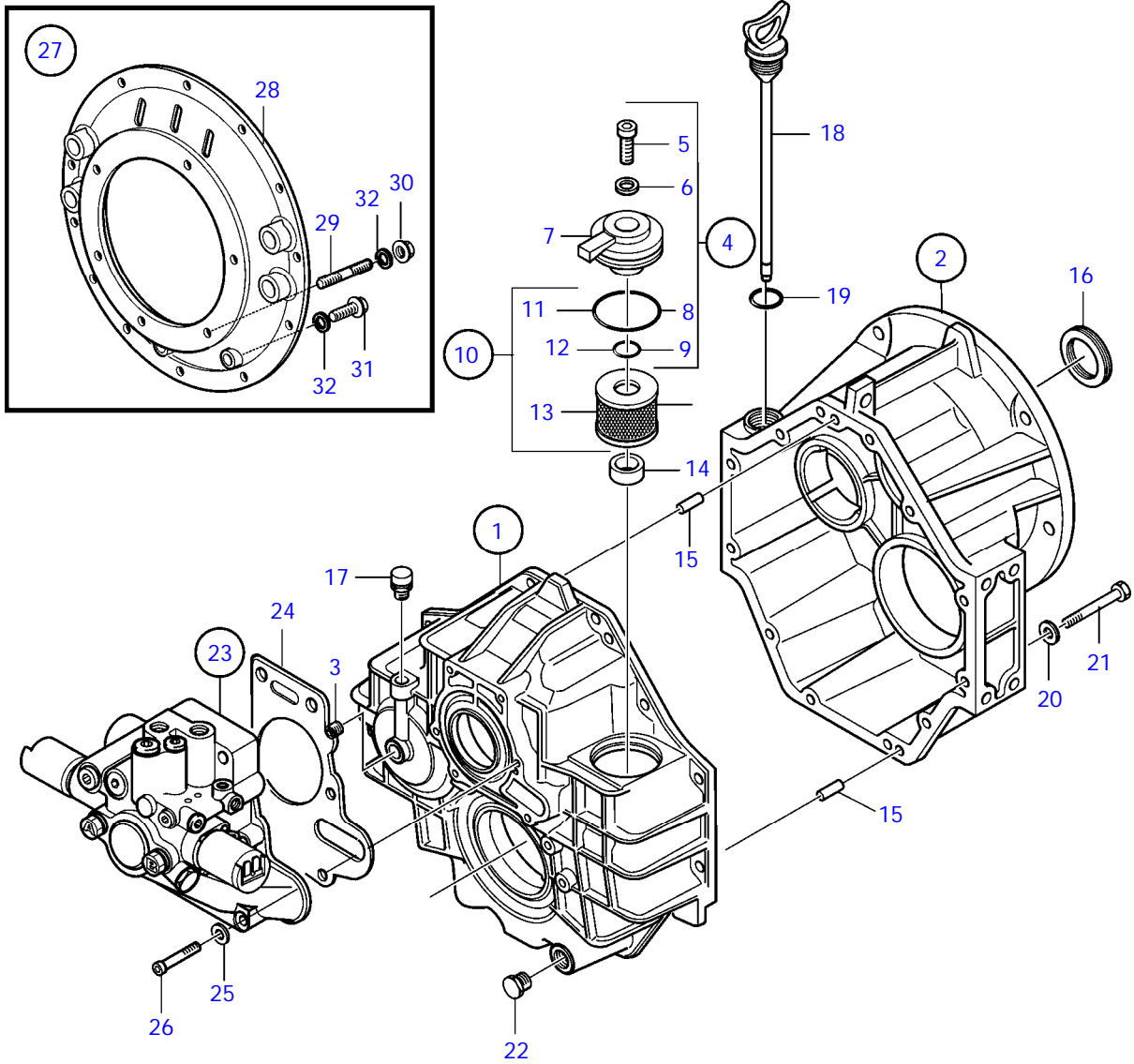
24270

REF	PART NO.	QTY	DESCRIPTION	NOTES
1	3885960	1	Reversing gear kit	
2	3886202	1	• Output shaft	
3	19468	1	• • Roller bearing	
4	184622	1	• • Roller bearing	
5	(3582044)	4	• Locating pin	Obsolete part
6	3582087	3	• Piston ring	
7	183405	1	• Roller bearing	
8	3888136	2	• Ring	
9	3888990	1	• Reverse gear	
10	3886096	1	• Needle bearing	
11	3582089	1	• Key	
12	3888196	1	• Input shaft	
13	3817760	2	• Lock ring	
14	3886098	2	• • Companion disc	
15	3886099	10	• • Clutch	
16	3886100	8	• • Clutch	
17	3886101	2	• • Retainer	
18	3888137	1	• • Thrust washer	
19	3886102	6	• • Spring	
20	3582111	2	• • Ring	
21	3888197	2	• • Piston	
22	3582113	2	• • Ball	
23	3888198	2	• • Piston ring	
24	3888199	1	• • Input shaft	
25	18494	1	• Roller bearing	
26	3584183	X	• Shim	TH=0,10mm
	3584184	X	• Shim	TH=0,15mm
	3584185	X	• Shim	TH=0,20mm
	3584186	X	• Shim	TH=0,50mm
	3584187	X	• Shim	TH=1,00mm
27	3584188	X	• Shim	TH=0,15mm
	3584189	X	• Shim	TH=0,20mm
	3584190	X	• Shim	TH=0,50mm
28	3886108	1	• Spacer	
29	3886109	1	• Needle bearing	
30	3886110	X	• Shim	TH=0,10mm
	3886111	X	• Shim	TH=0,15mm
	3886112	X	• Shim	TH=0,20mm
	3886113	X	• Shim	TH=0,50mm
31	3888138	1	• Snap ring	
32	3888139	X	• Shim	
33	3888140	X	• Shim	TH=0,10mm
	3888141	X	• Shim	TH=0,15mm
	3888142	X	• Shim	TH=0,20mm
34	3888991	1	• Gear	
35	3886200	1	• Countershaft	
36	184083	1	• • Roller bearing	
37	11137	1	• • Roller bearing	
38	3886201	1	• Countershaft	
39	(11074)	1	• • Roller bearing	Obsolete part
40	18458	1	• • Roller bearing	
41	3886175	X	• Shim	TH=0,10mm
	3886176	X	• Shim	TH=0,15mm
	3886177	X	• Shim	TH=0,20mm
	3886178	X	• Shim	TH=0,50mm
42	3886166	1	• Sealing ring	
43	3886169	1	• Flange	
44	966789	8	• Hex. socket screw	
45	3886164	1	• Suction pipe	
46	946544	1	• Flange screw	



24270

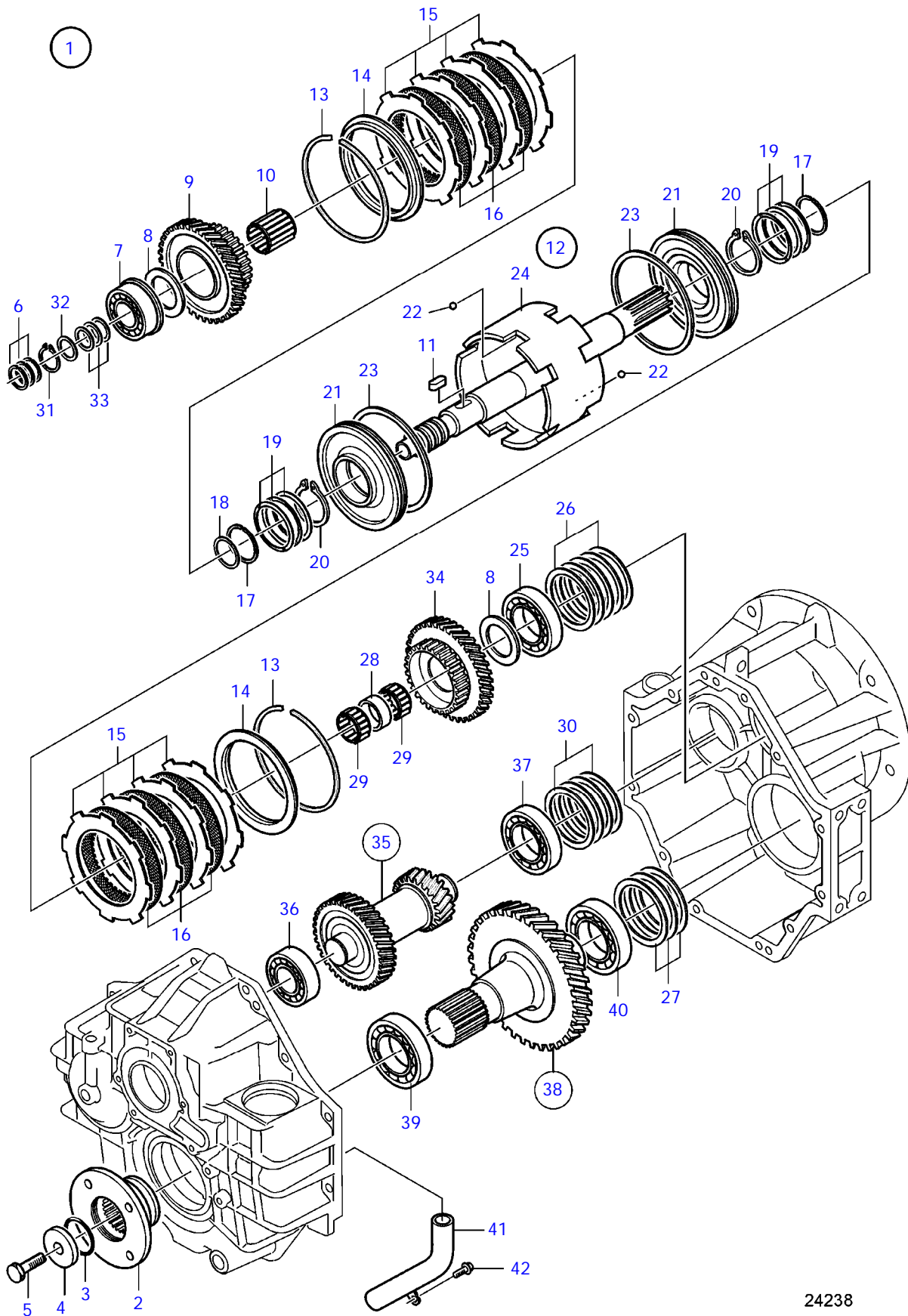
REF	PART NO.	QTY	DESCRIPTION	NOTES
1	3842639	1	Reversing gear kit	
2	3886202	1	• Output shaft	
3	19468	1	• Roller bearing	
4	184622	1	• Roller bearing	
5	3886170	4	• Locating pin	
6	3582087	3	• Piston ring	
7	183405	1	• Roller bearing	
8	3888136	2	• Ring	
9	3886094	1	• Reverse gear	
10	3886096	1	• Needle bearing	
11	3582089	1	• Key	
12	3886097	1	• Input shaft	
13	3817760	2	• • Lock ring	
14	3886098	2	• • Companion disc	
15	3886099	10	• • Clutch	
16	3886100	8	• • Clutch	
17	3886101	2	• • Retainer	
18	3888137	1	• • Thrust washer	
19	3886102	6	• • Spring	
20	3582111	2	• • Ring	
21	3886103	2	• • Clutch	
22	3582113	2	• • Ball	
23	3886104	2	• • Clutch	
24	3886105	1	• • Input shaft	
25	18494	1	• Roller bearing	
26	3584183	X	• Shim	TH=0.10mm
	3584184	X	• Shim	TH=0.15mm
	3584185	X	• Shim	TH=0.20mm
	3584186	X	• Shim	TH=0.50mm
	3584187	X	• Shim	TH=1.00mm
27	3584188	X	• Shim	TH=0.15mm
	3584189	X	• Shim	TH=0.20mm
	3584190	X	• Shim	TH=0.50mm
28	3886108	1	• Spacer	
29	3886109	1	• Needle bearing	
30	3886110	X	• Shim	TH=0.10mm
	3886111	X	• Shim	TH=0.15mm
	3886112	X	• Shim	TH=0.20mm
	3886113	X	• Shim	TH=0.50mm
31	3888138	1	• Snap ring	
32	3888139	X	• Shim	
33	3888140	X	• Shim	TH=0.10mm
	3888141	X	• Shim	TH=0.15mm
	3888142	X	• Shim	TH=0.20mm
34	3886199	1	• Gear	
35	3886200	1	• Countershaft	
36	184083	1	• • Roller bearing	
37	11137	1	• • Roller bearing	
38	3886201	1	• Countershaft	
39	(11074)	1	• • Roller bearing	Obsolete part
40	18458	1	• • Roller bearing	
41	3886175	X	• Shim	TH=0.10mm
	3886176	X	• Shim	TH=0.15mm
	3886177	X	• Shim	TH=0.20mm
	3886178	X	• Shim	TH=0.50mm
42	3886166	1	• Sealing ring	
43	3886169	1	• Flange	
44	966789	8	• Hex. socket screw	
45	3886164	1	• Suction pipe	
46	946544	1	• Flange screw	



25728

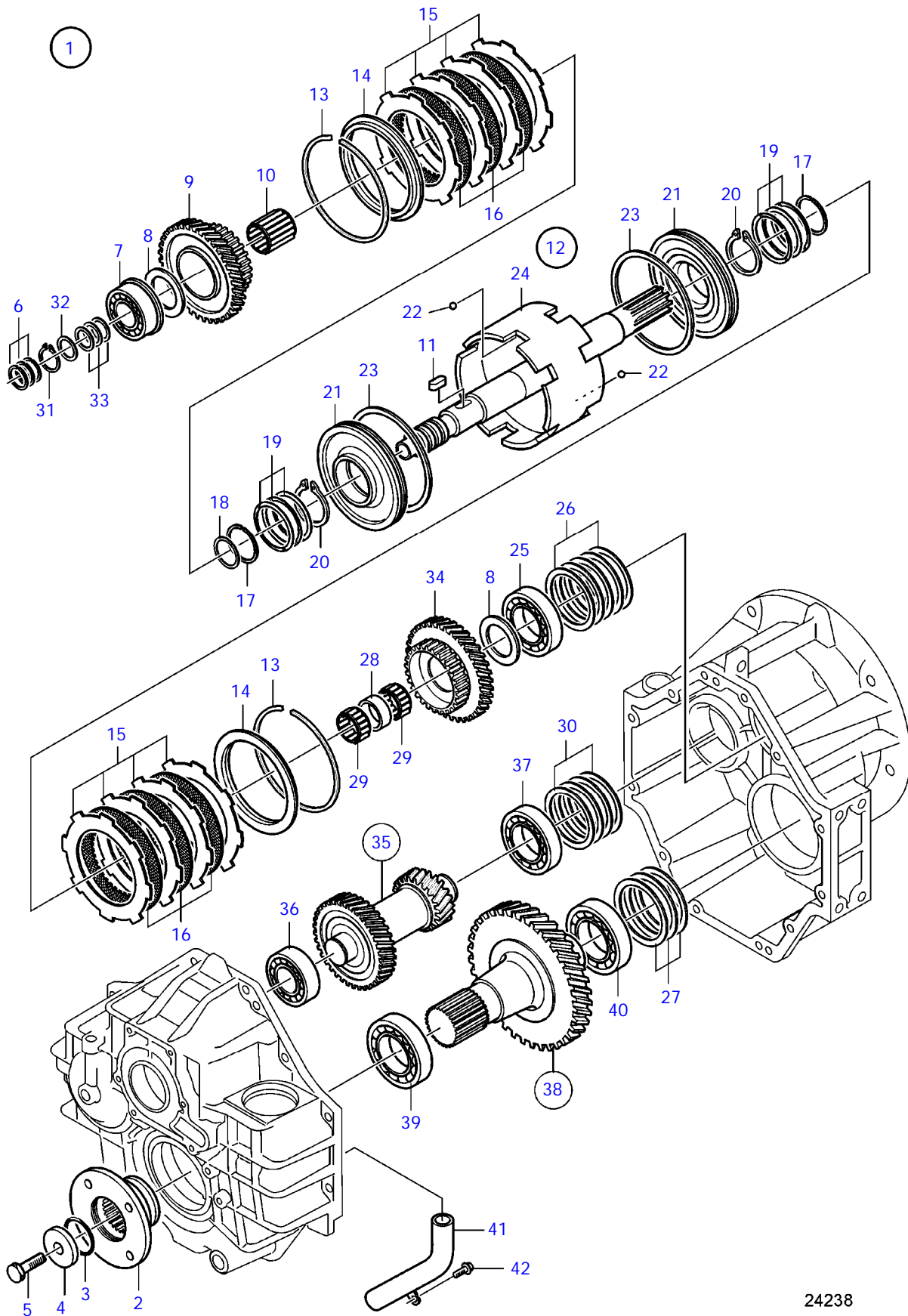


REF	PART NO.	QTY	DESCRIPTION	SEE SEC.	NOTES
1		1	Housing		Ratio 1.57:1
			•	36687	Ratio 1.96:1
			•	36686	Ratio 2.50:1, HS80AE-B
			•	36685	Ratio 2.50:1, HS85AE-A
			•	22392	
2		1	Housing		Ratio 1.57:1
			•	36687	Ratio 1.96:1
			•	36686	Ratio 2.50:1, HS80AE-B
			•	36685	Ratio 2.50:1, HS85AE-A
			•	22392	
3	3581973	1	Plug		
4	3582063	1	Filter cap		
5	940142	1	• Hexagon screw		
6	976944	1	• Washer		
7			• Cover		
8	3582064	1	• O-ring		
9	3582065	1	• O-ring		
10	3582069	1	Oil filter		
11	3582064	1	• O-ring		
12	3582065	1	• O-ring		
13		1	• Oil filter		
14	3582049	1	Sealing		
15	3582045	2	Dowel		
16	3886091	1	Sealing ring		
17	3582050	1	Valve		
18	3817759	1	Oil dipstick		
19	3582203	1	• O-ring		
20	941908	14	Spring washer		
21	970949	14	Hexagon screw		
22	3584460	1	Plug		
23	3889026	1	Shift control valve		
			•		
			•	36502	
24	3582046	1	• Gasket		
25	941907	1	• Spring washer		
26	941761	1	• Hex. socket screw		
27	3888151	1	Adapter kit		
28	3584253	1	• Cover		
29	479971	6	• Stud		
30	971071	6	• Hexagon nut		
31	965185	3	• Flange screw		
32	941908	9	• Spring washer		



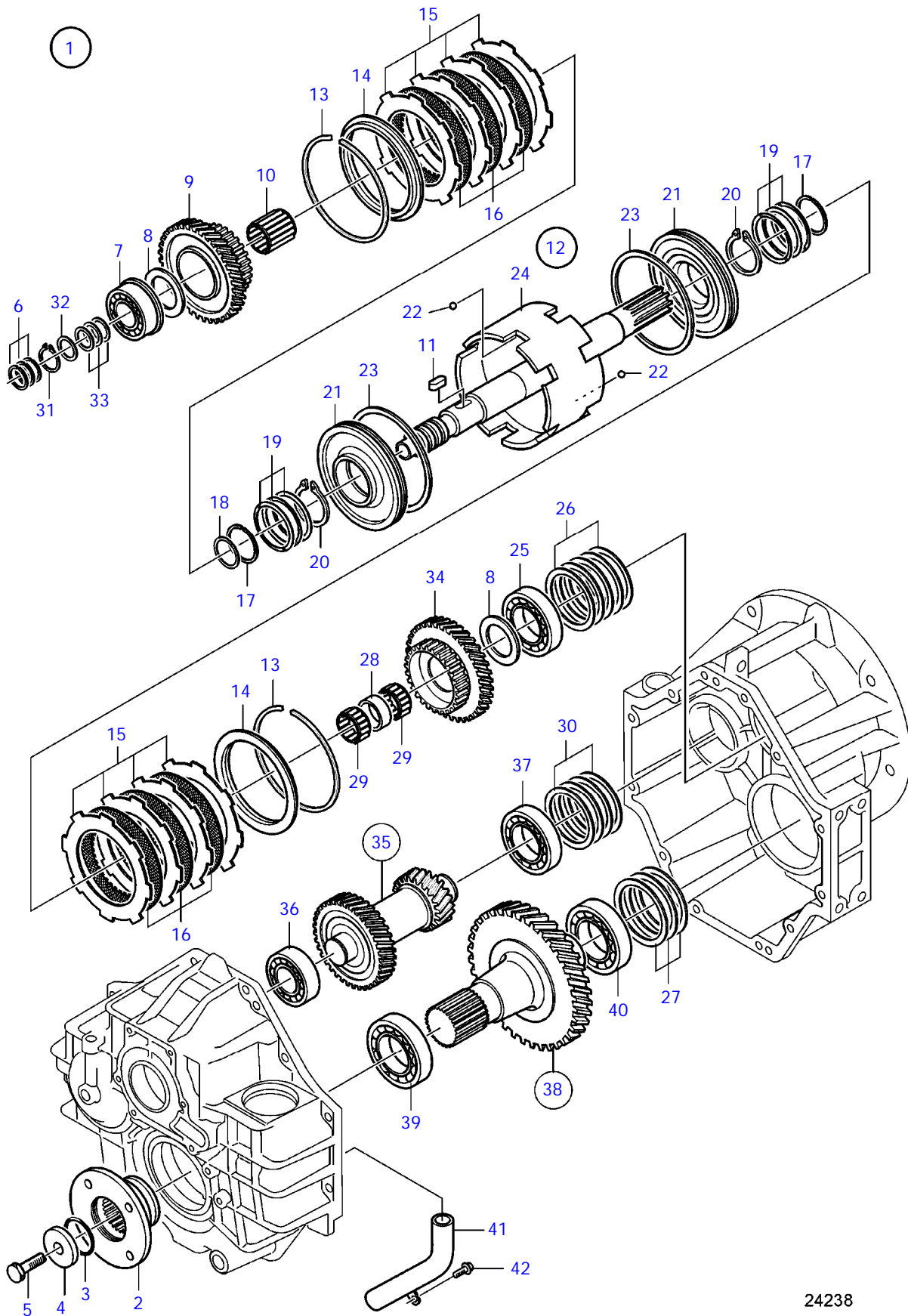
24238

REF	PART NO.	QTY	DESCRIPTION	NOTES
1	3885952	1	Reversing gear kit	
2	3584177	1	• Flange	
3	3584178	1	• O-ring	
4	3584179	1	• Washer	
5	955365	1	• Hexagon screw	
6	3582087	3	• Piston ring	
7	183405	1	• Roller bearing	
8	3888136	2	• Ring	
9	3888195	1	• Reverse gear	
10	3886096	1	• Needle bearing	
11	3582089	1	• Key	
12	3888196	1	• Input shaft	
13	3817760	2	• • Lock ring	
14	3886098	2	• • Companion disc	
15	3886099	10	• • Clutch	
16	3886100	8	• • Clutch	
17	3886101	2	• • Retainer	
18	3888137	1	• • Thrust washer	
19	3886102	6	• • Spring	
20	3582111	2	• • Ring	
21	3888197	2	• • Piston	
22	3582113	2	• • Ball	
23	3888198	2	• • Piston ring	
24	3888199	1	• • Input shaft	
25	18494	1	• Roller bearing	
26	3584183	X	• Shim	TH=0.10mm
	3584184	X	• Shim	TH=0.15mm
	3584185	X	• Shim	TH=0.20mm
	3584186	X	• Shim	TH=0.50mm
	3584187	X	• Shim	TH=1.00mm
27	3584188	X	• Shim	TH=0.15mm
	3584189	X	• Shim	TH=0.20mm
	3584190	X	• Shim	TH=0.50mm
28	3886108	1	• Spacer	
29	3886109	1	• Needle bearing	
30	3886110	X	• Shim	TH=0.10mm
	3886111	X	• Shim	TH=0.15mm
	3886112	X	• Shim	TH=0.20mm
	3886113	X	• Shim	TH=0.50mm
31	3888138	1	• Snap ring	
32	3888139	X	• Shim	
33	3888140	X	• Shim	TH=0.10mm
	3888141	X	• Shim	TH=0.15mm
	3888142	X	• Shim	TH=0.20mm
34	3886114	1	• Gear	
35	3886115	1	• Countershaft	
36	184083	1	• • Roller bearing	
37	11061	1	• • Roller bearing	
38	3886116	1	• Output shaft	
39	11075	1	• • Roller bearing	
40	184694	1	• • Roller bearing	
41	3584173	1	• Suction pipe	
42	946544	1	• Flange screw	



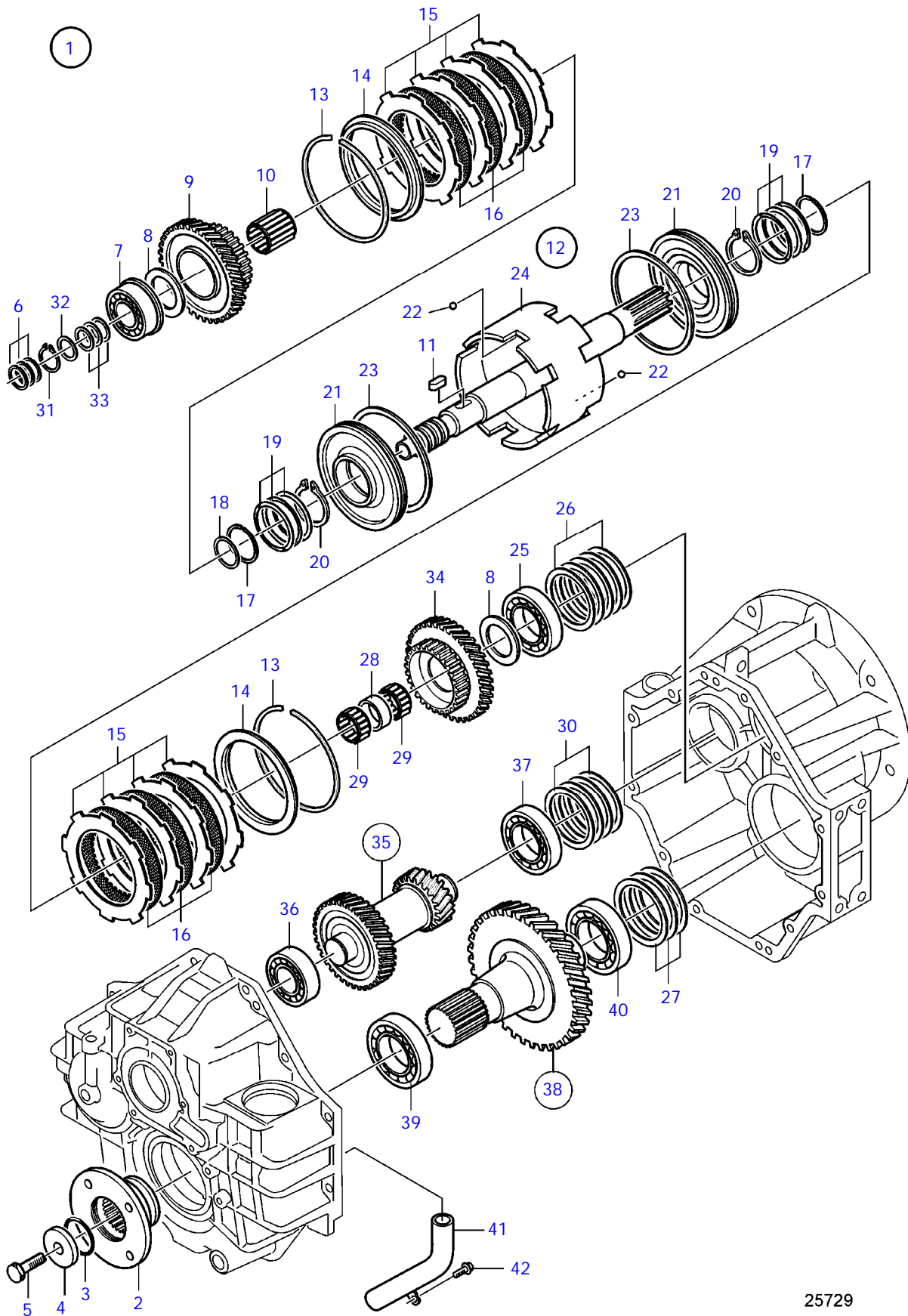
24238

REF	PART NO.	QTY	DESCRIPTION	NOTES
1	3885954	1	Reversing gear kit	
2	3584177	1	• Flange	
3	3584178	1	• O-ring	
4	3584179	1	• Washer	
5	955365	1	• Hexagon screw	
6	3582087	3	• Piston ring	
7	183405	1	• Roller bearing	
8	3888136	2	• Ring	
9	3888195	1	• Reverse gear	
10	3886096	1	• Needle bearing	
11	3582089	1	• Key	
12	3888196	1	• Input shaft	
13	3817760	2	• • Lock ring	
14	3886098	2	• • Companion disc	
15	3886099	10	• • Clutch	
16	3886100	8	• • Clutch	
17	3886101	2	• • Retainer	
18	3888137	1	• • Thrust washer	
19	3886102	6	• • Spring	
20	3582111	2	• • Ring	
21	3888197	2	• • Piston	
22	3582113	2	• • Ball	
23	3888198	2	• • Piston ring	
24	3888199	1	• • Input shaft	
25	18494	1	• Roller bearing	
26	3584183	X	• Shim	TH=0.10mm
	3584184	X	• Shim	TH=0.15mm
	3584185	X	• Shim	TH=0.20mm
	3584186	X	• Shim	TH=0,50mm
	3584187	X	• Shim	TH=1,00mm
27	3584188	X	• Shim	TH=0.15mm
	3584189	X	• Shim	TH=0.20mm
	3584190	X	• Shim	TH=0,50mm
28	3886108	1	• Spacer	
29	3886109	1	• Needle bearing	
30	3886110	X	• Shim	TH=0.10mm
	3886111	X	• Shim	TH=0.15mm
	3886112	X	• Shim	TH=0.20mm
	3886113	X	• Shim	TH=0,50mm
31	3888138	1	• Snap ring	
32	3888139	X	• Shim	
33	3888140	X	• Shim	TH=0.10mm
	3888141	X	• Shim	TH=0.15mm
	3888142	X	• Shim	TH=0,20mm
34	3886117	1	• Gear	
35	3886118	1	• Countershaft	
36	184083	1	• • Roller bearing	
37	11061	1	• • Roller bearing	
38	3886119	1	• Output shaft	
39	11075	1	• • Roller bearing	
40	184694	1	• • Roller bearing	
41	3584173	1	• Suction pipe	
42	946544	1	• Flange screw	



24238

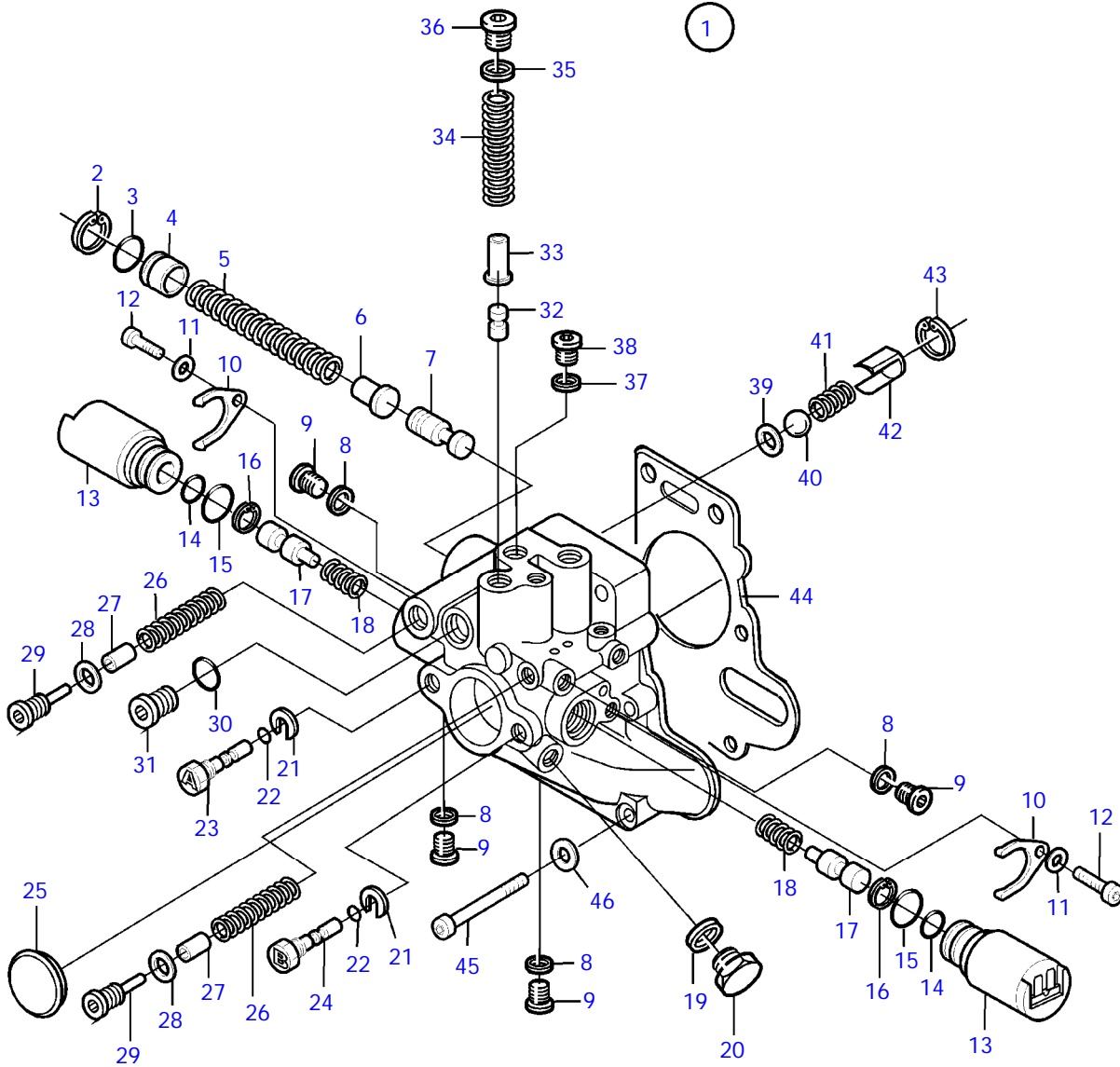
REF	PART NO.	QTY	DESCRIPTION	NOTES
1	3885958	1	Reversing gear kit	
2	3584177	1	• Flange	
3	3584178	1	• O-ring	
4	3584179	1	• Washer	
5	955365	1	• Hexagon screw	
6	3582087	3	• Piston ring	
7	183405	1	• Roller bearing	
8	3888136	2	• Ring	
9	3888195	1	• Reverse gear	
10	3886096	1	• Needle bearing	
11	3582089	1	• Key	
12	3888196	1	• Input shaft	
13	3817760	2	• • Lock ring	
14	3886098	2	• • Companion disc	
15	3886099	10	• • Clutch	
16	3886100	8	• • Clutch	
17	3886101	2	• • Retainer	
18	3888137	1	• • Thrust washer	
19	3886102	6	• • Spring	
20	3582111	2	• • Ring	
21	3888197	2	• • Piston	
22	3582113	2	• • Ball	
23	3888198	2	• • Piston ring	
24	3888199	1	• • Input shaft	
25	18494	1	• Roller bearing	
26	3584183	X	• Shim	TH=0.10mm
	3584184	X	• Shim	TH=0.15mm
	3584185	X	• Shim	TH=0.20mm
	3584186	X	• Shim	TH=0.50mm
	3584187	X	• Shim	TH=1.00mm
27	3584188	X	• Shim	TH=0.15mm
	3584189	X	• Shim	TH=0.20mm
	3584190	X	• Shim	TH=0.50mm
28	3886108	1	• Spacer	
29	3886109	1	• Needle bearing	
30	3886110	X	• Shim	TH=0.10mm
	3886111	X	• Shim	TH=0.15mm
	3886112	X	• Shim	TH=0.20mm
	3886113	X	• Shim	TH=0.50mm
31	3888138	1	• Snap ring	
32	3888139	X	• Shim	
33	3888140	X	• Shim	TH=0.10mm
	3888141	X	• Shim	TH=0.15mm
	3888142	X	• Shim	TH=0.20mm
34	3886120	1	• Gear	
35	3888989	1	• Countershaft	
36	184083	1	• • Roller bearing	
37	11061	1	• • Roller bearing	
38	3886122	1	• Output shaft	
39	11075	1	• • Roller bearing	
40	184694	1	• • Roller bearing	
41	3584173	1	• Suction pipe	
42	946544	1	• Flange screw	



25729

REF	PART NO.	QTY	DESCRIPTION	NOTES
1	3842637	1	Reversing gear kit	
2	3584177	1	• Flange	
3	3584178	1	• O-ring	
4	3584179	1	• Washer	
5	955365	1	• Hexagon screw	
6	3582087	3	• Piston ring	
7	183405	1	• Roller bearing	
8	3888136	2	• Ring	
9		1	• Reverse gear	
10	3886096	1	• Needle bearing	
11	3582089	1	• Key	
12	3886097	1	• Input shaft	
13	3817760	2	• • Lock ring	
14	3886098	2	• • Companion disc	
15	3886099	10	• • Clutch	
16	3886100	8	• • Clutch	
17	3886101	2	• • Retainer	
18	3888137	1	• • Thrust washer	
19	3886102	6	• • Spring	
20	3582111	2	• • Ring	
21	3886103	2	• • Clutch	
22	3582113	2	• • Ball	
23	3886104	2	• • Clutch	
24	3886105	1	• • Input shaft	
25	18494	1	• Roller bearing	
26	3584183	X	• Shim	TH=0.10mm
	3584184	X	• Shim	TH=0.15mm
	3584185	X	• Shim	TH=0.20mm
	3584186	X	• Shim	TH=0.50mm
	3584187	X	• Shim	TH=1.00mm
27	3584188	X	• Shim	TH=0.15mm
	3584189	X	• Shim	TH=0.20mm
	3584190	X	• Shim	TH=0.50mm
28	3886108	1	• Spacer	
29	3886109	1	• Needle bearing	
30	3886110	X	• Shim	TH=0.10mm
	3886111	X	• Shim	TH=0.15mm
	3886112	X	• Shim	TH=0.20mm
	3886113	X	• Shim	TH=0.50mm
31	3888138	1	• Snap ring	
32	3888139	X	• Shim	
33	3888140	X	• Shim	TH=0.10mm
	3888141	X	• Shim	TH=0.15mm
	3888142	X	• Shim	TH=0.20mm
34	3886120	1	• Gear	
35	3886121	1	• Countershaft	
36	184083	1	• • Roller bearing	
37	11061	1	• • Roller bearing	
38	3886122	1	• Output shaft	
39	11075	1	• • Roller bearing	
40	184694	1	• • Roller bearing	
41	3584173	1	• Suction pipe	
42	946544	1	• Flange screw	

HS25AE-A, HS45AE, HS63IVE-A, HS63IVE-D, HS80AE-A, HS80AE-B, HS80IVE-B, HS80IVE-A, HS85AE-A, HS85IVE-A



24286

HS25AE-A, HS45AE, HS63IVE-A, HS63IVE-D, HS80AE-A, HS80AE-B, HS80IVE-B, HS80IVE-A, HS85AE-A, HS85IVE-A

REF	PART NO.	QTY	DESCRIPTION	SEE SEC.	NOTES
1	21116463	1	Shift control valve		(3582188), For HS45AE, HS63AE, HS63IVE, HS80AE-A, HS80IVE-A
	3889026	1	Shift control valve		For HS80AE-B, HS80IVE-B, HS85AE-A, HS85IVE-A
	21334024	1	Shift control valve		For HS25AE-A
2		1	• Lock ring		
3	3582809	1	• O-ring		
4		1	• Plug		
5		1	• Spring		
6		1	• Guide pin		
7		1	• Piston		
8	957173	4	• Gasket		
9		4	• Plug		
10	3582807	2	• Striker plate		
11		2	• Washer		
12		2	• Screw		
13	874097	2	• Solenoid		
			• Bulletin 48-46	48-46-EN	Electric Shift Solenoid, HS63VE and HS63AE
14	3582804	2	• O-ring		
15	3582805	2	• O-ring		
16	3582806	2	• Lock ring		
17		2	• Piston		
18		2	• Spring		
19	3582808	1	• O-ring		
20		1	• Plug		
21	3582812	2	• Washer		
22	3582811	2	• O-ring		
23	3582814	1	• Screw		
24	3582810	1	• Screw		
25	3582813	1	• Plug		
26		2	• Spring		
27		2	• Spacer		
28		2	• Washer		
29		2	• Plug		
30		1	• O-ring		
31		1	• Plug		
32		1	• Piston		
33		1	• Guide pin		
34		1	• Spring		
35		1	• Washer		
36		1	• Plug		
37		1	• Washer		
38		1	• Plug		
39		1	• Washer		
40		1	• Ball		
41		1	• Washer		
42		1	• Plug		
43		1	• Lock ring		
44	3582046	1	• Gasket		
45	941761	6	• Hex. socket screw		
46	941907	6	• Spring washer		

HS25A-A

REF	PART NO.	QTY	DESCRIPTION	NOTES
1	877100	1	Overhaul kit	
	3582047	1	• Sealing	
	3582051	1	• Sealing	
	3582046	1	• Gasket	
	3582087	3	• Piston ring	
	3582098	6	• Disc	
	3582100	8	• Disc	
	3582053	1	• Piston rod seal	
	3843693	1	Overhaul kit	
	3582121	1	• O-ring	
	3582047	1	• Sealing	
	3582051	1	• Sealing	
	3582046	1	• Gasket	
	3582087	3	• Piston ring	
	3582203	1	• O-ring	
	3582053	1	• Piston rod seal	
	3582049	1	• Sealing	
	3582064	1	• O-ring	
	3582065	1	• O-ring	
	3582205	1	• Sealing	
	(3582204)	1	• O-ring	Obsolete part
	3582098	6	• Disc	
	3582100	8	• Disc	

HS63A-A

REF	PART NO.	QTY	DESCRIPTION
1	877080	1	Overhaul kit
	3582122	1	• O-ring
	3582047	1	• Sealing
	3582052	1	• Sealing
	3582046	1	• Gasket
	3582087	3	• Piston ring
	3582099	8	• Disc
	3582101	10	• Disc
	877097	1	Sealing kit
	3582122	1	• O-ring
	3582047	1	• Sealing
	3582052	1	• Sealing
	3582046	1	• Gasket
	3582087	3	• Piston ring

HS63IV-A

REF	PART NO.	QTY	DESCRIPTION
1	877095	1	Overhaul kit
	3582047	1	• Sealing
	3582228	1	• Sealing ring
	3582229	1	• Sealing ring
	3582046	1	• Gasket
	3582087	3	• Piston ring
	3582053	1	• Piston rod seal
	3582099	8	• Disc
	3582101	10	• Disc
	877098	1	Sealing kit
	3582122	1	• O-ring
	3582047	1	• Sealing
	3582228	1	• Sealing ring
	3582229	1	• Sealing ring
	3582046	1	• Gasket
	3582087	3	• Piston ring
	3582053	1	• Piston rod seal

HS80AE-A

REF	PART NO.	QTY	DESCRIPTION
1	877722	1	Kit
	3584178	1	• O-ring
	3582047	1	• Sealing
	3584172	1	• Sealing
	3582046	1	• Gasket
	3582087	3	• Piston ring
	3582053	1	• Piston rod seal
	3582065	1	• O-ring
	3582064	1	• O-ring
	3582099	1	• Disc
	3582101	1	• Disc
	877721	1	Sealing kit
	3584178	1	• O-ring
	3582047	1	• Sealing
	3584172	1	• Sealing
	3582046	1	• Gasket
	3582203	1	• O-ring
	3582087	3	• Piston ring
	3582053	1	• Piston rod seal
	3582065	1	• O-ring
	3582064	1	• O-ring

HS80IVE-A

REF	PART NO.	QTY	DESCRIPTION
1	877724	1	Kit
	3582047	1	• Sealing
	3886166		• Sealing ring
	3886165	1	• Sealing ring
	3582046	1	• Gasket
	3582053	1	• Piston rod seal
	3582087	3	• Piston ring
	3582203	1	• O-ring
	3582065	1	• O-ring
	3582064	1	• O-ring
	3582099	10	• Disc
	3582101	12	• Disc
	877723	1	Sealing kit
	3582047	1	• Sealing
	3886166	1	• Sealing ring
	3886165	1	• Sealing ring
	3582046	1	• Gasket
	3582053	1	• Piston rod seal
	3582087	3	• Piston ring
	3582203	1	• O-ring
	3582065	1	• O-ring
	3582064	1	• O-ring

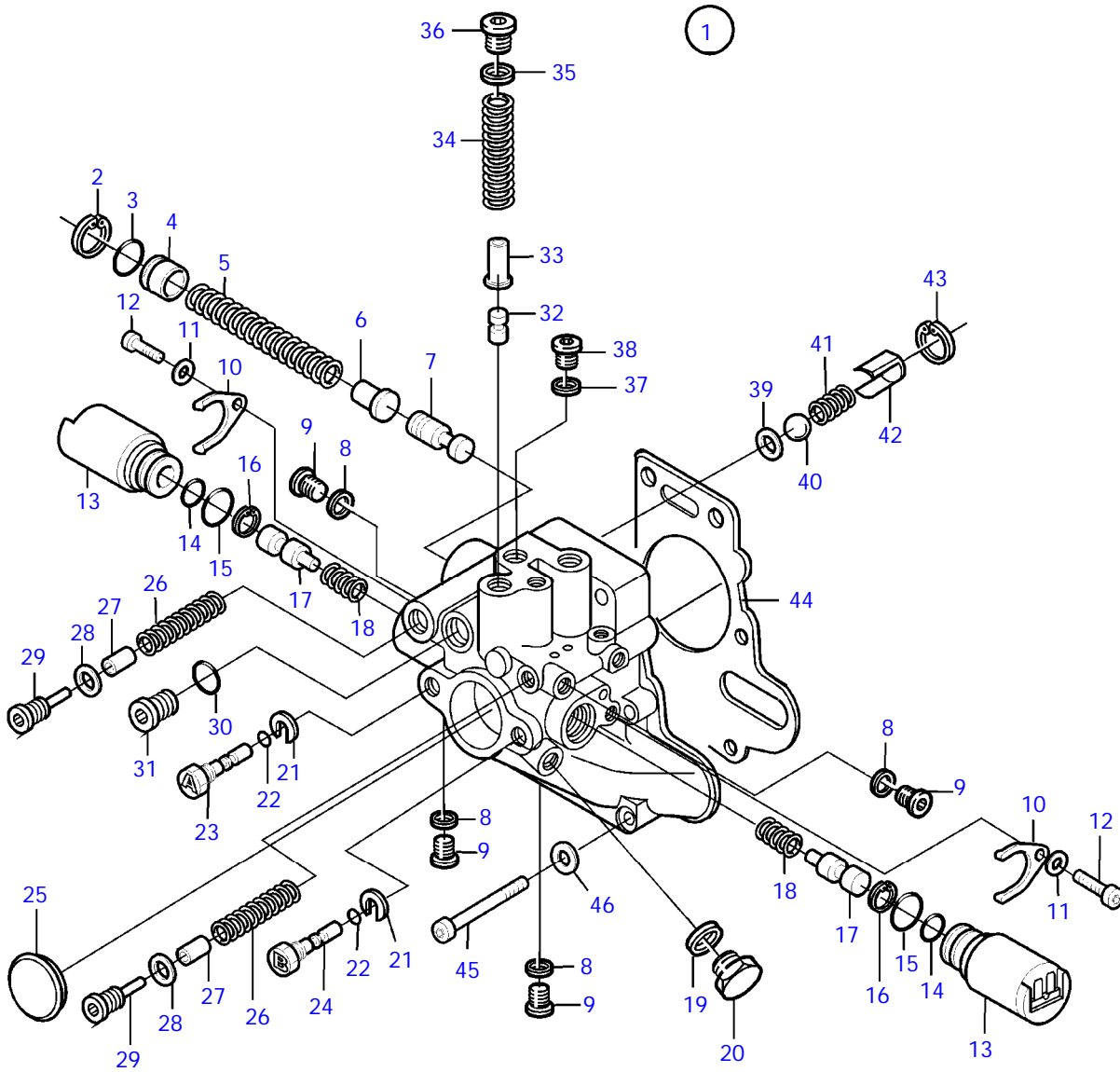
HS80AE-B, HS85AE-A

REF	PART NO.	QTY	DESCRIPTION
1	3886285	1	Sealing kit
	3584178	1	• O-ring
	3886091	1	• Sealing ring
	3584172	1	• Sealing
	3582046	1	• Gasket
	3582203	1	• O-ring
	3582087	3	• Piston ring
	3582053	1	• Piston rod seal
	3582065	1	• O-ring
	3582064	1	• O-ring
	3582049	1	• Sealing
2	3886281	1	Overhaul kit
	3886285	1	• Sealing kit
	3886100	10	• Clutch
	3886099	8	• Clutch

HS80IVE-B, HS85IVE-A

REF	PART NO.	QTY	DESCRIPTION
1	3886286	1	Sealing kit
	3886091	1	• Sealing ring
	3886166	1	• Sealing ring
	3886165	1	• Sealing ring
	3582046	1	• Gasket
	3582053	1	• Piston rod seal
	3582087	3	• Piston ring
	3582203	1	• O-ring
	3582065	1	• O-ring
	3582064	1	• O-ring
	3582049	1	• Sealing
2	3886282	1	Overhaul kit
	3886286	1	• Sealing kit
	3886100	10	• Clutch
	3886099	8	• Clutch

HS45AE, HS63AE-A, HS63IVE-A, HS80AE-A, HS80IVE-A



24286

HS45AE, HS63AE-A, HS63IVE-A, HS80AE-A, HS80IVE-A

REF	PART NO.	QTY	DESCRIPTION	SEE SEC.	NOTES
1	3582188	1	Valve		
2		1	• Lock ring		
3	3582809	1	• O-ring		
4		1	• Plug		
5		1	• Spring		
6		1	• Guide pin		
7		1	• Piston		
8	957173	4	• Gasket		
9		4	• Plug		
10	3582807	2	• Striker plate		
11		2	• Washer		
12		2	• Screw		
13	874097	2	• Solenoid		
			• Bulletin 48-46	48-46-EN	Electric Shift Solenoid, HS63VE and HS63AE
14	3582804	2	• O-ring		
15	3582805	2	• O-ring		
16	3582806	2	• Lock ring		
17		2	• Piston		
18		2	• Spring		
19	3582808	1	• O-ring		
20		1	• Plug		
21	3582812	2	• Washer		
22	3582811	2	• O-ring		
23	3582814	1	• Screw		
24	3582810	1	• Screw		
25	3582813	1	• Plug		
26		2	• Spring		
27		2	• Spacer		
28		2	• Washer		
29		2	• Plug		
30		1	• O-ring		
31		1	• Plug		
32		1	• Piston		
33		1	• Guide pin		
34		1	• Spring		
35		1	• Washer		
36		1	• Plug		
37		1	• Washer		
38		1	• Plug		
39		1	• Washer		
40		1	• Ball		
41		1	• Washer		
42		1	• Plug		
43		1	• Lock ring		
44	3582046	1	• Gasket		
45	941761	6	• Hex. socket screw		
46	941907	6	• Spring washer		

DESCRIPTION	SEE SEC.	NOTES
Reverse Gear HS25A-A	3693	
Connecting Components for HS25A-A	3689	
Reverse Gear HS25A-A, Components: Ratio 1.93:1	36580	
Reverse Gear HS25A-A, Components: Ratio 2.29:1	36584	
Reverse Gear HS25A-A, Components: Ratio 2.48:1	36581	
Reverse Gear HS25A-A, Components: Ratio 2.71:1	36579	
Reverse Gear HS25A-B, HS25A-C	36498	
Connecting Components for HS25A-B, HS25A-C	36534	
Reverse Gear HS25A-B, HS25A-C, Components: Ratio 1.93:1	36591	
Reverse Gear HS25A-B, HS25A-C, Components: Ratio 2.29:1	36588	
Reverse Gear HS25A-B, HS25A-C, Components: Ratio 2.48:1	36590	
Reverse Gear HS25A-B, HS25A-C, Components: Ratio 2.71:1	36589	
Reverse Gear HS25AE-A	36508	
Reverse Gear HS25AE-A, Components: Ratio 2.48:1	36592	
Reverse Gear HS25AE-A, Components: Ratio 1.93:1	36593	
Reverse Gear HS45A-A	36441	
Connecting Components for HS45A-A	3684	
Reverse Gear HS45A-A, Components: Ratio 1.51:1	36619	
Reverse Gear HS45A-A, Components: Ratio 2.03:1	36622	
Reverse Gear HS45A-A, Components: Ratio 2.43:1	36623	
Reverse Gear HS45A-B	36614	
Connecting Components for HS45A-B	36612	
Reverse Gear HS45A-B Components: Ratio 1.51:1	36620	
Reverse Gear HS45A-B Components: Ratio 2.03:1	36621	
Reverse Gear HS45AE-C	36597	
Reverse Gear HS45AE-B, HS45AE-C Components: Ratio 1.51:1	36574	
Reverse Gear HS45AE-C Components: Ratio 2.03:1	36599	
Reverse Gear HS45AE-C Components: Ratio 2.43:1	36602	
Reverse Gear HS63A-A	3687	
Connecting Components for HS63A-A	3683	
Reverse Gear HS63A-A, Components: Ratio 1.56:1	36653	
Reverse Gear HS63A-A, Components: Ratio 2.04:1	36659	
Reverse Gear HS63A-A, Components: Ratio 2.52:1	36660	
Reverse Gear HS63AE-A, HS63AE-B, HS63AE-D	4416	
Connecting Components for HS63AE-A	4417	
Reverse Gear HS63AE-A, HS63AE-B, HS63AE-D, Components: Ratio 1.56:1	36664	
Reverse Gear HS63AE-A, HS63AE-B, HS63AE-D, Components: Ratio 2.04:1	36662	
Reverse Gear HS63AE-A, HS63AE-B, HS63AE-D, Components: Ratio 2.52:1	36663	
Reverse Gear HS63IV-A	3688	
Connecting Components for HS63IV-A	3691	
Reverse Gear HS63IV-A, Components: Ratio 1.56:1	36666	

DESCRIPTION	SEE SEC.	NOTES
Reverse Gear HS63IV-A, Components: Ratio 1.99:1	36669	
Reverse Gear HS63IV-A, Components: Ratio 2.48:1	36670	
Reverse Gear HS63IVE-A, HS63IVE-D	4418	
Connecting Components for HS63IVE-A	4419	
Reverse Gear HS63IVE-A, HS63IVE-D, Components: Ratio 1.56:1	36677	
Reverse Gear HS63IVE-A, HS63IVE-D, Components: Ratio 1.99:1	36404	
Reverse Gear HS63IVE-A, HS63IVE-D, Components: Ratio 2.48:1	36676	
Reverse Gear HS80AE-A	7539	HS80AE-A
Reverse Gear HS80AE-A, Components: Ratio 1.57:1, 1.96:1, 2.50:1	7553	HS80AE-A
Reverse Gear HS80IVE-A	7555	HS80IVE-A
Reverse Gear HS80IVE-A, Components: Ratio 1.64:1, 2.01:1, 2.49:1	7554	HS80IVE-A
Reverse Gear HS80IVE-B, HS85IVE-A	22416	
Reverse Gear HS80IVE-B, Components: Ratio 1.64:1	36682	
Reverse Gear HS80IVE-B, Components: Ratio 2.01:1	36683	
Reverse Gear HS80IVE-B, Components: Ratio 2.49:1	36684	
Reverse Gear HS85IVE-A, Components: Ratio 2.49:1	36688	
Reverse Gear HS80AE-B, HS85AE-A	22390	
Reverse Gear HS80AE-B, Components: Ratio 1.57:1	36687	
Reverse Gear HS80AE-B, Components: Ratio 1.96:1	36686	
Reverse Gear HS80AE-B, Components: Ratio 2.50:1	36685	
Reverse Gear HS85AE-A, Components: Ratio 2.50:1	22392	
Shifting Valve, Components	36502	HS25AE-A, HS45AE, HS63IVE-A, HS63IVE-D, HS80AE-A, HS80AE-B, HS80IVE-B, HS80IVE-A, HS85AE-A, HS85IVE-A

--

DESCRIPTION	SEE SEC.	NOTES
Overhaul Kits and Sealing Ring Kits	22377	HS25A-A
Overhaul Kits and Sealing Ring Kits	22376	HS45A-A
Overhaul Kits and Sealing Ring Kits: A	3718	HS63A-A, HS63IV-A
Overhaul Kits and Sealing Ring Kits: B	3718B	HS63A-A, HS63IV-A
Overhaul Kits and Sealing Ring Kits	7545	HS80AE-A
Overhaul Kits and Sealing Ring Kits	7546	HS80IVE-A
Overhaul Kits and Sealing Ring Kits	22434	HS80AE-B, HS85AE-A
Overhaul Kits and Sealing Ring Kits	22435	HS80IVE-B, HS85IVE-A

HS25A-A, HS25A-B, HS25A-C, HS25AE-A, HS45A-A, HS45AE, HS63A-A, HS63AE-A, HS63IV-A, HS63IVE-A, HS63IVE-D, HS80AE-A, HS80AE-B, HS8

REF	DESCRIPTION	SEE SEC.
44	Transmissions	44
99	Repair Kits	99

