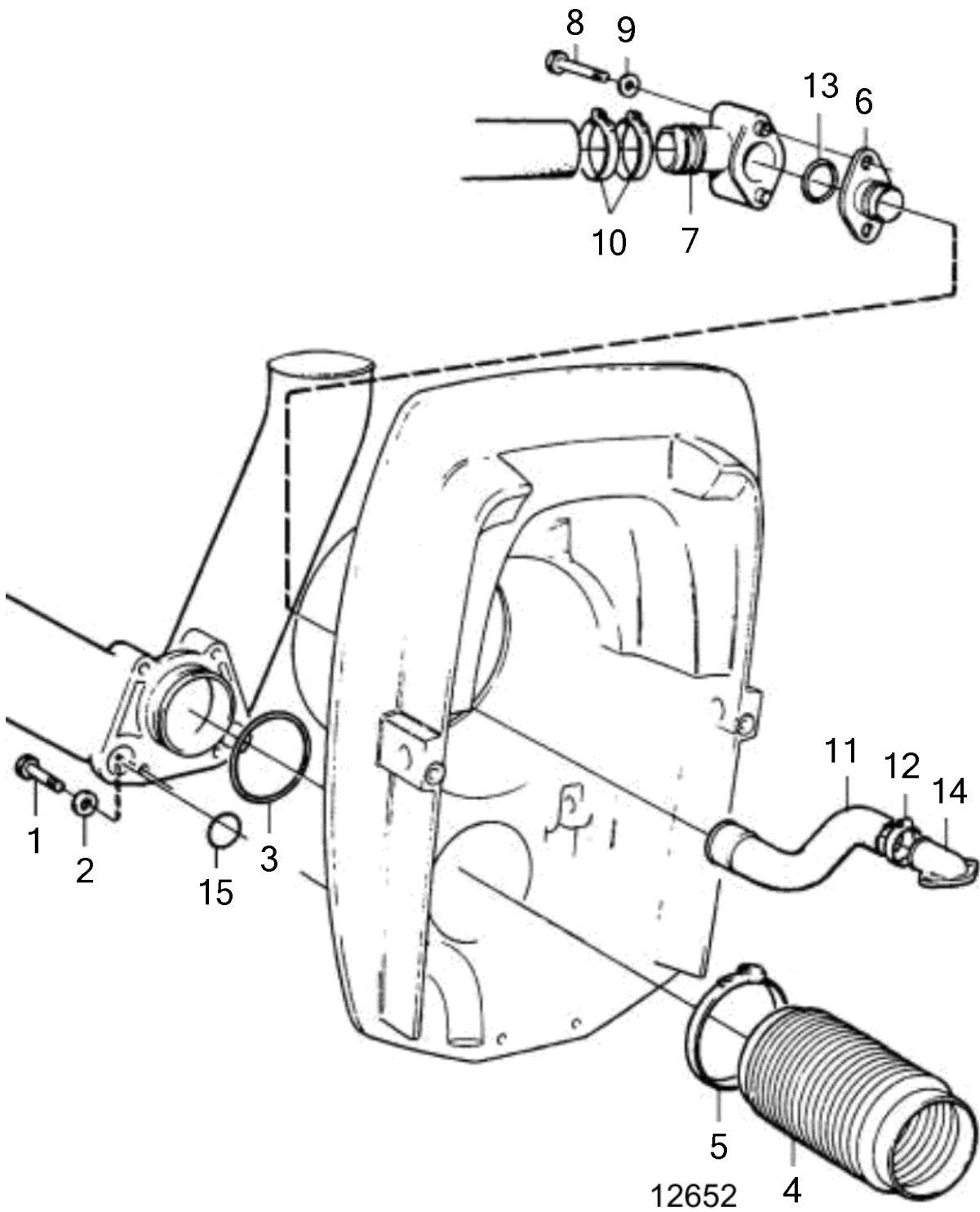


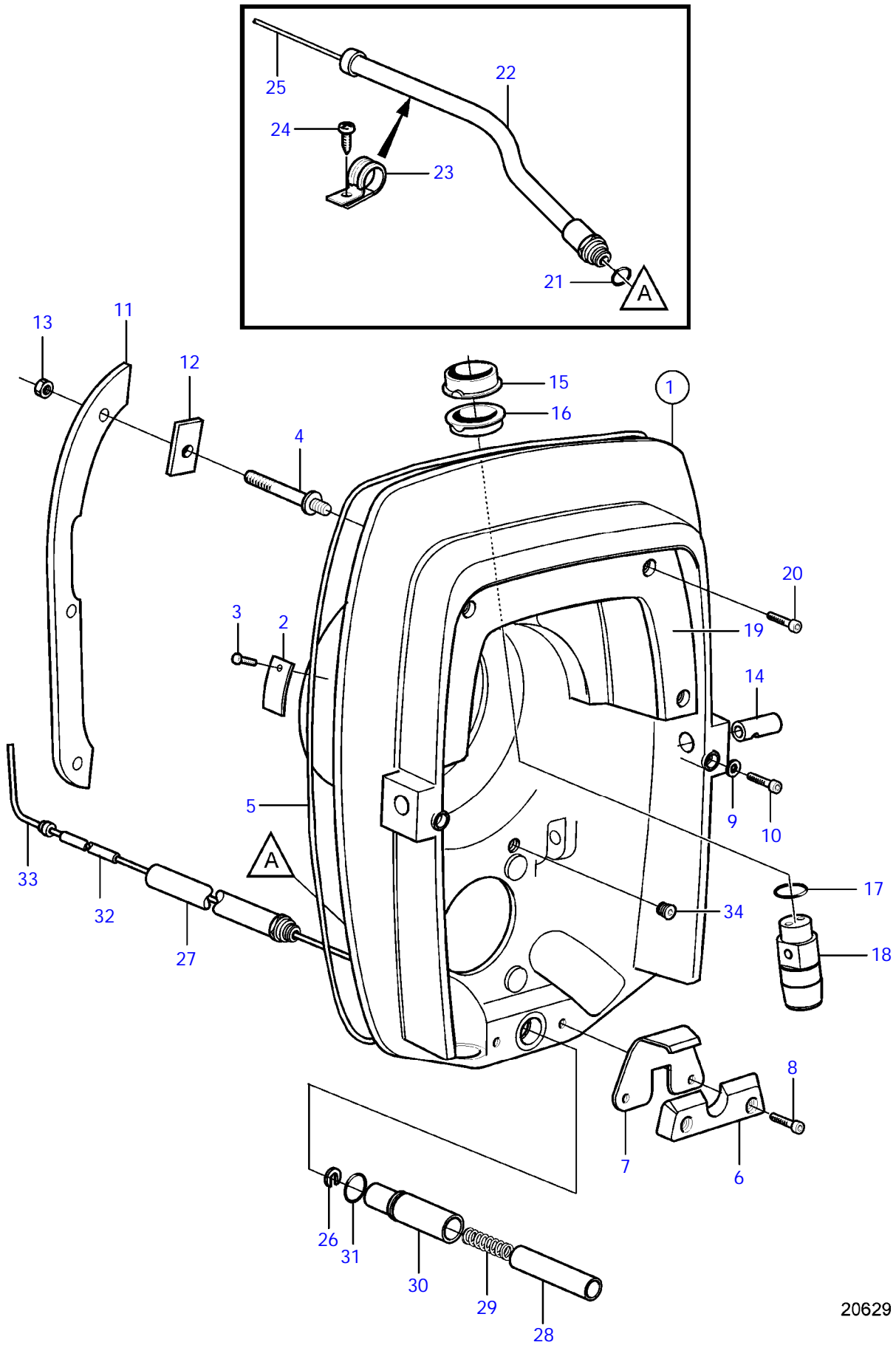
DPX-R



DPX-R

REF	PART NO.	QTY	DESCRIPTION
1	970958	4	Hexagon screw
2	960148	4	Washer
3	925256	1	O-ring
4	876631	1	Bellows kit
5	872531	2	• Hose clamp
6		1	Grommet
7	872338	1	Hose connection, 90°
8	955516	2	Hexagon screw
9	955893	2	Washer
10	961669	2	Hose clamp
11	876632	1	Hose kit
12	853548	1	• Hose clamp
13	925064	1	• O-ring
14	872752	1	Hose connection
15	925064	2	O-ring

DPX-R



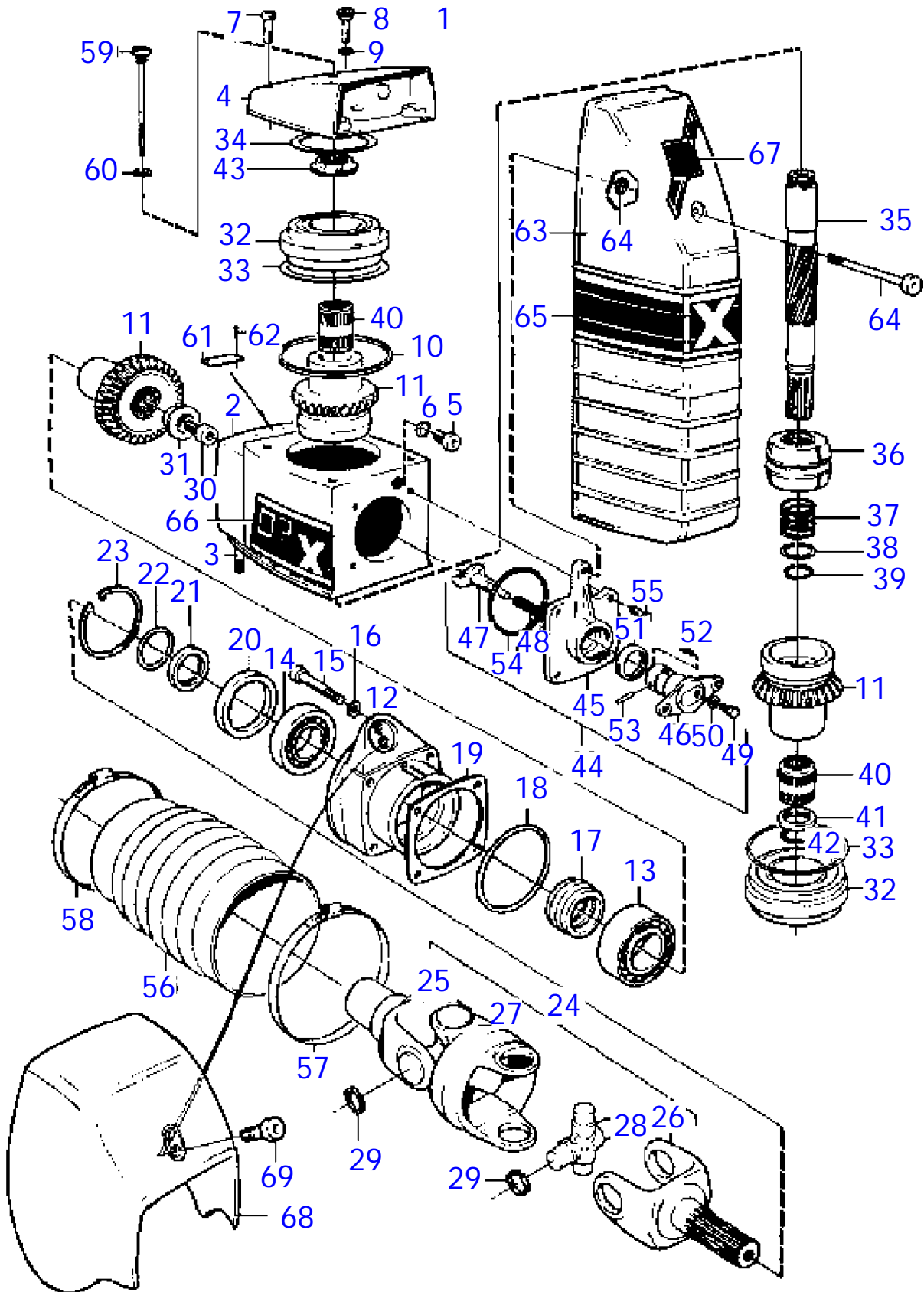
20629



DPX-R

REF	PART NO.	QTY	DESCRIPTION	NOTES
1	872662	1	Shield	
2	853706	1	Type plate	
3	804269	2	Drive screw	
4	873316	6	Stud	
5	852868	1	Sealing strip	L=1750mm
6	872139	1	Zinc electrode	
7	872963	1	Support plate	
8	946541	2	Hex. socket screw	
9	941670	2	Washer	
10	963699	2	Hex. socket screw	
11	3856370	1	Plate	Port
	3856370	1	Plate	Gas, Starboard
	3858672	1	Plate	Diesel, Starboard
12	852866	1	Washer	Diesel, Starboard, Lower
13	963108	6	Lock nut	
14	872493	2	Spindle	
15	854705	1	Bushing	
16	854704	1	Bushing	
17	977313	1	Sealing ring	
18	872956	1	Grommet	
19	872971	1	Modesty panel	
20	873188	4	Screw	
21	897745	1	Gasket	
22	839091	1	Protecting hose	
23	952635	1	Clamp	
24	955512	1	Hexagon screw	
25		X	Control cable	
26	872962	1	Washer	
27	872669	1	Hose	
28	872667	1	Piston	
29	872668	1	Spring	
30	873246	1	Pipe	
31	979668	1	• O-ring	
32	961662	1	Hose clamp	
33		X	Control cable	
34	853215	2	Plug	

DPX-R 1.47, DPX-R 1.51, DPX-R 1.59, DPX-R 1.68, DPX-R 1.78



GR71129

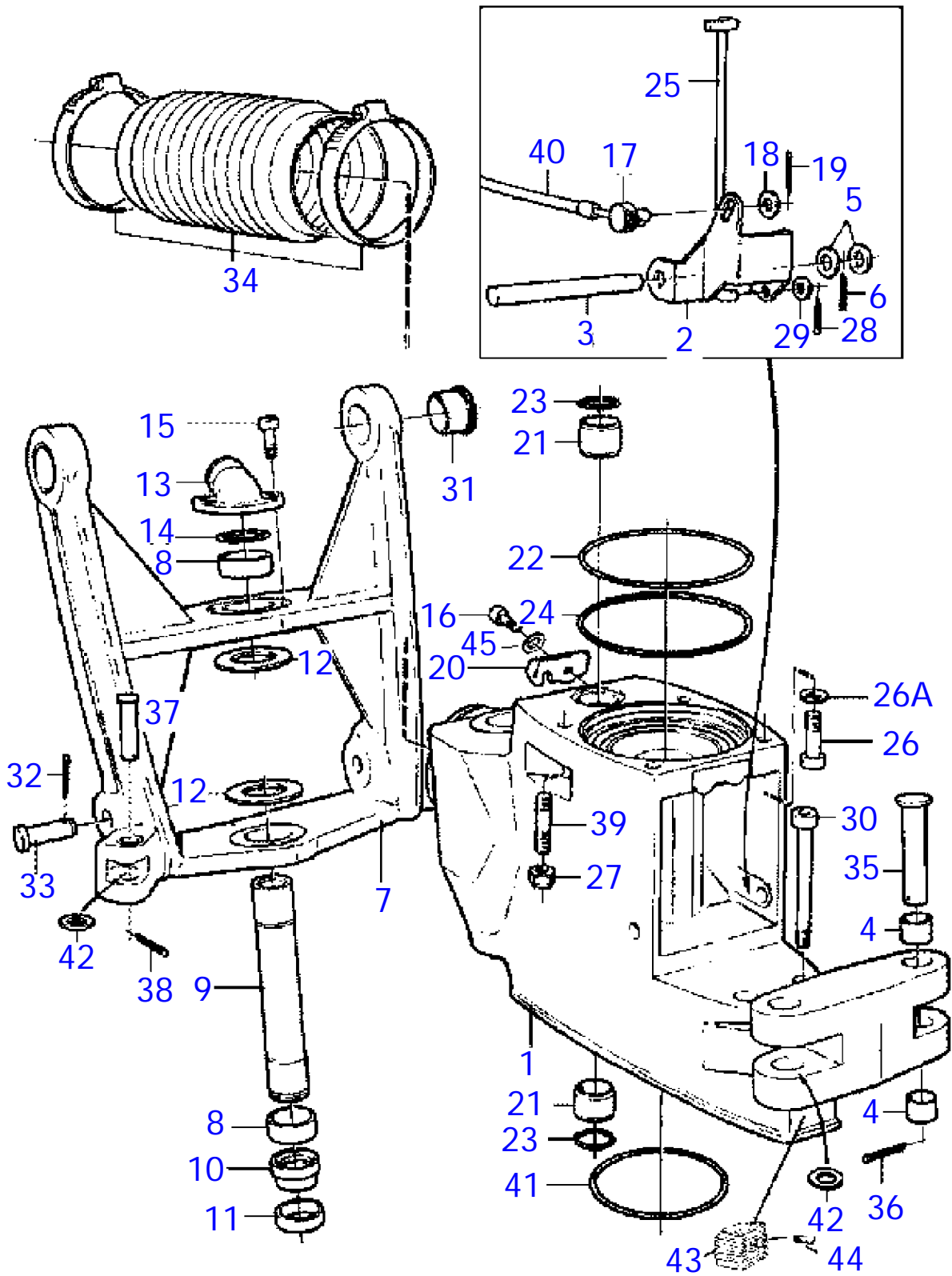
DPX-R 1.47, DPX-R 1.51, DPX-R 1.59, DPX-R 1.68, DPX-R 1.78

REF	PART NO.	QTY	DESCRIPTION	SEE SEC.	NOTES
1	3868956	1	Drive		1.47:1
	3868641	1	Drive		1.59:1
	3868642	1	Drive		1.68:1
	3868643	1	Drive		1.78:1
	3858641	1	Upper gear, complete		
2		1	• Gear housing		
3	977241	2	• Stud		
4	872969	1	• Cardboard tube		
5	814179	1	• Plug		
6	897682	1	• Gasket		
7	941807	3	• Hex. socket screw		
8	814643	1	• Hollow screw		
9	955989	1	• O-ring		
10	832669	1	• Gasket		
11	3858835	1	• Gear set		
12		1	• Bearing box		
13	853949	1	• Roller bearing		
14	183247	1	• Roller bearing		
15	956591	4	• Hex. socket screw		
16	942598	4	• Washer		
17	853484	1	• Pretensioning sleeve		
18	925095	1	• O-ring		
19	853034		• Shim, 0.10 mm		As required
	853035		• Shim, 0.15 mm		As required
	853036		• Shim, 0.35 mm		As required
20	839253	1	• Sealing ring		
21	832675	1	• Washer		
22	956000	1	• O-ring		
23	914538	1	• Snap ring		
24	3858282	1	• Universal joint		replaced by 3858447
			• Bulletin P-44-1-5	P-44-1-5-EN	U-joints
24	3858447	1	• Universal joint		
			• Bulletin P-44-1-5	P-44-1-5-EN	U-joints
25			• • Fork		not sold separately
26			• • Fork		not sold separately
27			• • Intermediate housing		not sold separately
28	3860232	2	• • Spider		
29			• • Lock ring		not sold separately
30	854201	1	• Screw		
31	853026	1	• Washer		
32	3852389	2	• Bearing		
33	943869		• Shim, 0.05 mm		As required
	946179		• Shim, 0.10 mm		As required
	943870		• Shim, 0.20 mm		As required
34	941826		• Shim, 0.05 mm		As required
	941827		• Shim, 0.20 mm		As required
	948230		• Shim, 0.35 mm		As required
35	3858455	1	• Shaft		
36		1	• Sliding sleeve		
37	3852296	1	• Spring		
38	854126	1	• Washer		
39	951078	1	• Snap ring		
40	3852390	2	• Bearing		
41	854192	1	• Spacer ring		
42	3852295	2	• Locking clip		
43	854228	1	• Nut, 0 mm		
	854229	1	• Nut, 0.20 mm		
	854230	1	• Nut, 0.40 mm		
	3852375	1	• Nut, 0.60 mm		
44		1	• Shift mechanism		
45	872993	1	• • Bearing housing		
46	897816	1	• • Eccentric piston		
			• Bulletin P-44-1-7	P-44-1-7-EN	Shift mechanism, eccentric piston
47	814603	1	• • Dog		
48	814184	1	• • Spring		
49	897711	1	• • Screw		

DPX-R 1.47, DPX-R 1.51, DPX-R 1.59, DPX-R 1.68, DPX-R 1.78

REF	PART NO.	QTY	DESCRIPTION	SEE SEC.	NOTES
50	897871		• • Shim		As required
51	873291	1	• • Sealing ring		
52	951924	1	• • Spring pin		
53	942871	1	• • Clevis pin		
54	925093	1	• • O-ring		
55	940169	4	• Hexagon screw		
56	876294	1	• Bellows kit		
			• Bulletin P-44-1-11	P-44-1-11-EN	DPH/DPR U-Joint Bellows
57	853013	1	• • Hose clamp		
58	853012	1	• • Hose clamp		
59	839351	1	• Oil dipstick		
60	955974	1	• O-ring		
61	853706	1	• Type plate		
62	804269	2	• Drive screw		
63	3858601	1	Cover		Incl. in complete drive unit
64	925052	2	O-ring		Incl. in complete drive unit
	959427	1	Hex. socket screw		Incl. in complete drive unit
65		1	Decal		Incl. in complete drive unit
66		1	Decal, port		Incl. in complete drive unit
		1	Decal, starboard		Incl. in complete drive unit
67	854144	1	Sign		Incl. in complete drive unit
68	872759	1	Protecting casing		Incl. in complete drive unit
69	941807	1	Hex. socket screw		

DPX-R 1.47, DPX-R 1.51, DPX-R 1.59, DPX-R 1.68, DPX-R 1.78

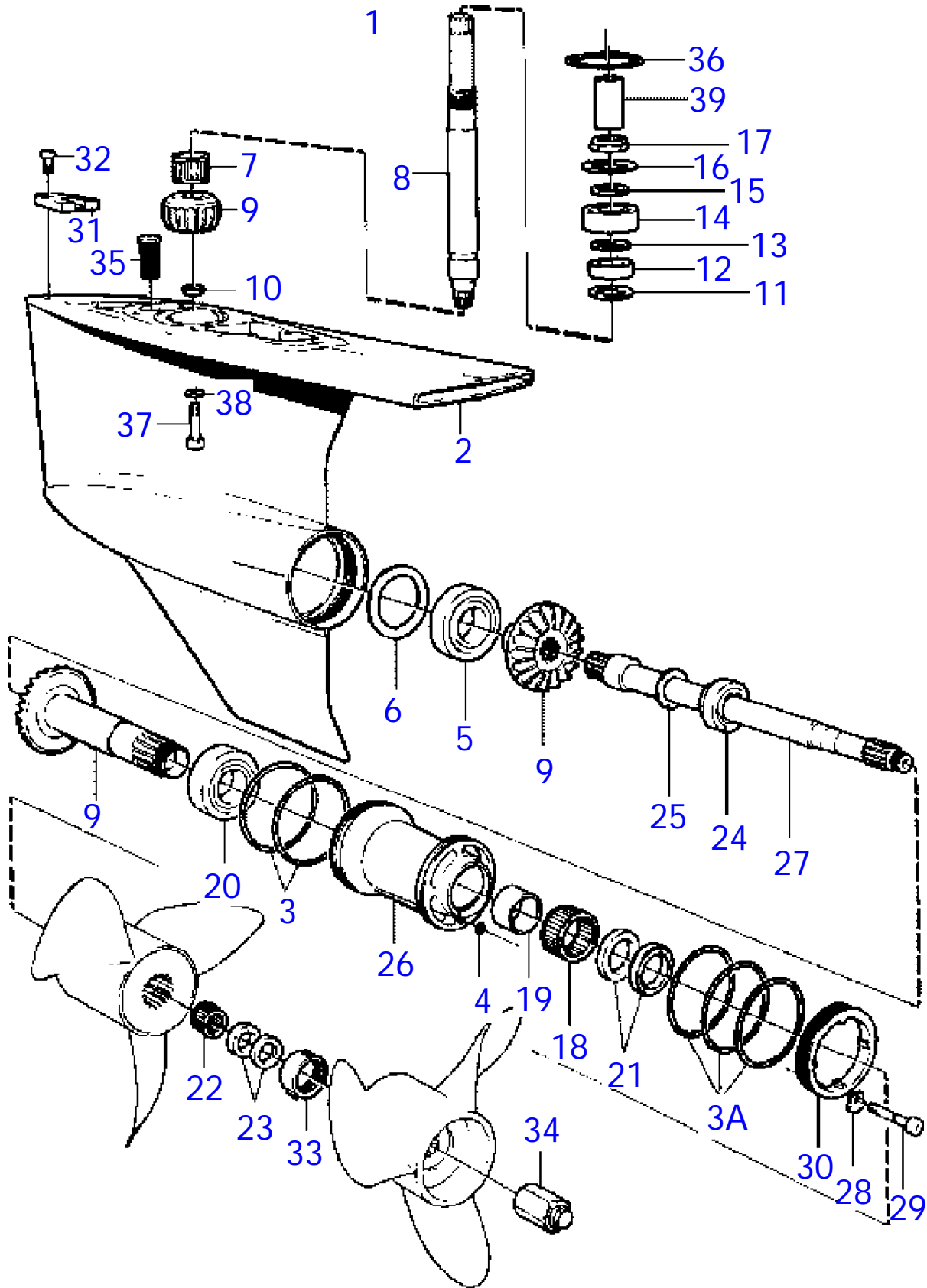


GR71927

DPX-R 1.47, DPX-R 1.51, DPX-R 1.59, DPX-R 1.68, DPX-R 1.78

REF	PART NO.	QTY	DESCRIPTION	NOTES
1	3856522	1	Housing	
2	872977	1	• Yoke	
3	897447	1	• Shaft	
4	873109	4	• Bearing bushing	
5	897511	2	• Washer	
6	17253	1	• Split pin	
7		1	Fork	
8	872756	2	• Bearing bushing	
9	872753	1	Steering knuckle	
10	873534	1	Retainer	
11	872755	1	Sealing ring	
12	872754	2	Thrust washer	
13	872752	1	Hose connection	
14	979254	1	O-ring	
15	940169	2	Hexagon screw	
16	940168	2	Hexagon screw	
17	804312	1	Cube	
18	940191	1	Washer	
19	17276	1	Split pin	
20	872940	1	Cable attachment	
21	872986	2	Sleeve	
22	925259	1	O-ring	
23	125017	2	O-ring	
24	941826	1	Shim, 0.05 mm	As required
	941827	1	Shim, 0.20 mm	As required
	948230	1	Shim, 0.35 mm	As required
25	872822	1	Control rod	
26	959456	2	Hex. socket screw	
26A	853095	2	Washer	
27	941885	2	Lock nut	
28	17253	1	Split pin	
29	940191	1	Washer	
30	941808	3	Hex. socket screw	
31	876507	1	Bushing kit	
32	872126	2	Clevis pin	
33	967707	2	Split pin	
34	876631	1	Bellows kit	As required
	872531	2	• Hose clamp	
35	3851604	2	Clevis pin	
36	967707	2	Split pin	
37	872922	2	Pin	
38	979874	2	Split pin	
39	977241	2	Stud	
40		1	Control cable	As required
41	925256	1	O-ring	
42	873352	4	Washer	
43	873395	1	Zinc electrode	
44	963684	2	• Hex. socket screw	
45	940191	1	Washer	

DPX-R 1.47, DPX-R 1.51, DPX-R 1.59, DPX-R 1.68, DPX-R 1.78

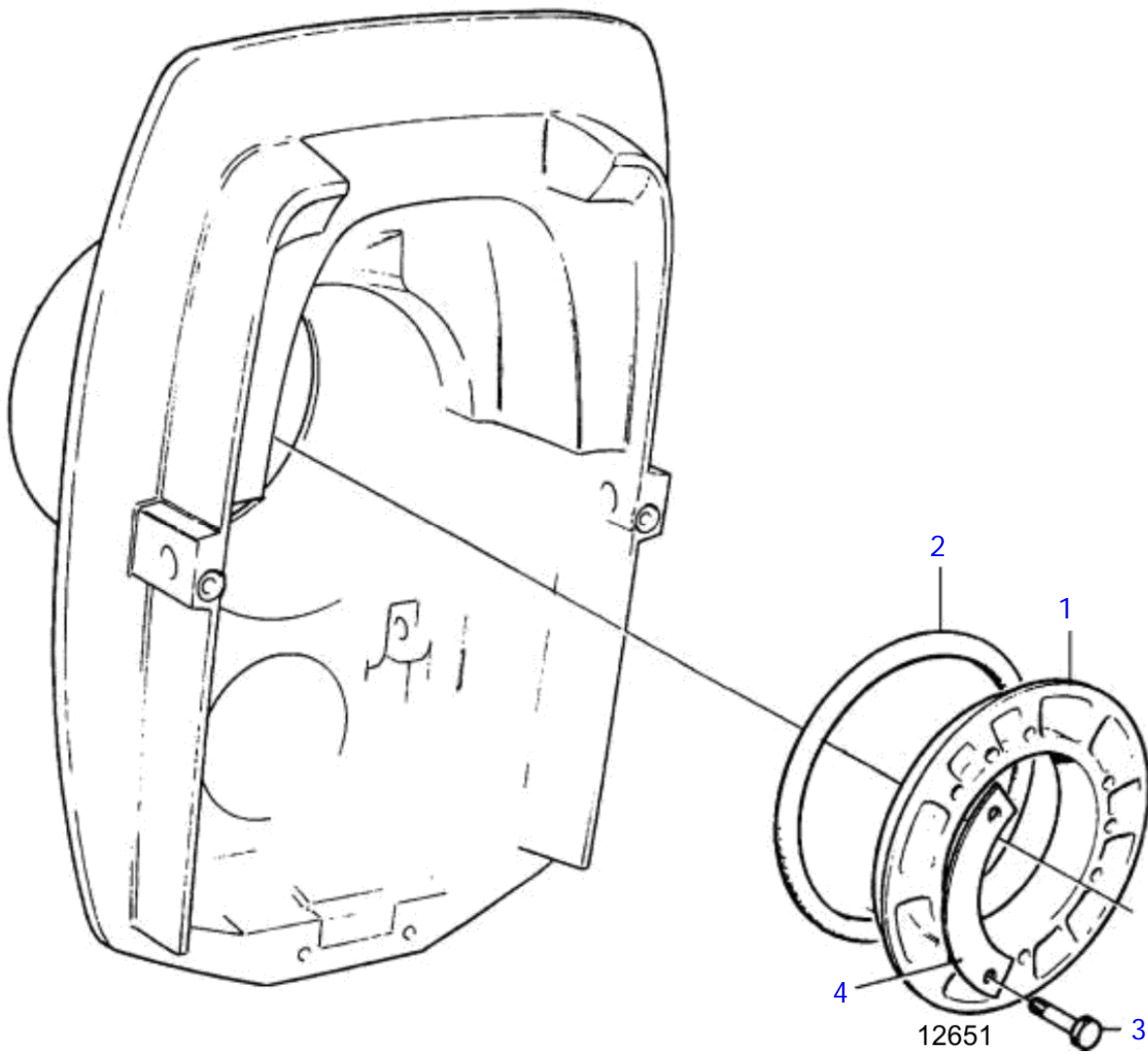


GR71128

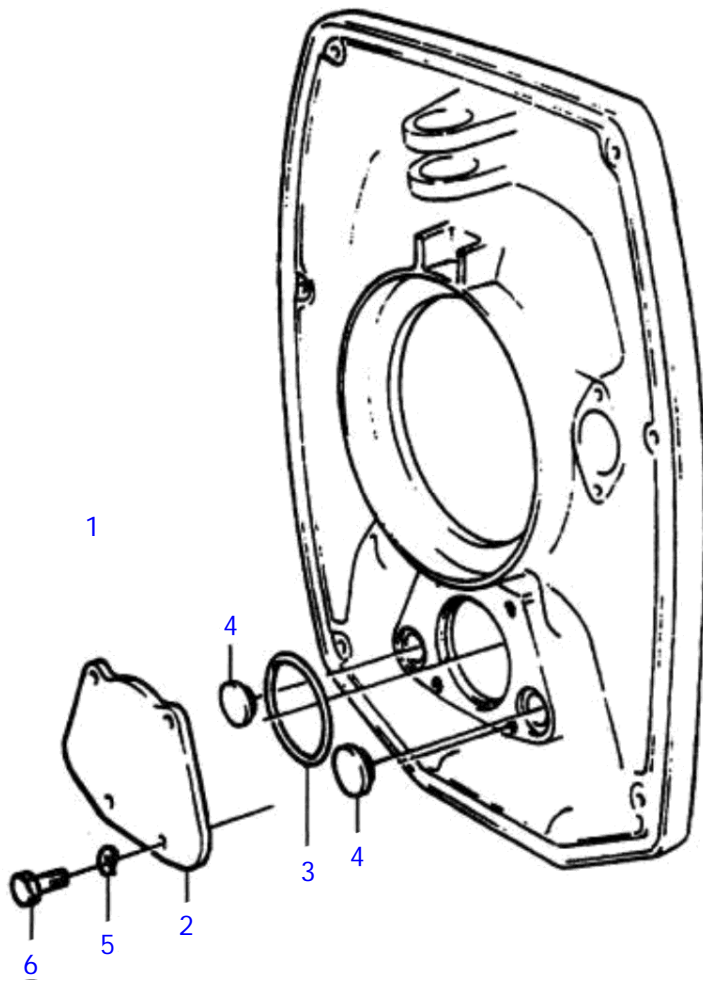
DPX-R 1.47, DPX-R 1.51, DPX-R 1.59, DPX-R 1.68, DPX-R 1.78

REF	PART NO.	QTY	DESCRIPTION	NOTES
1		1	Gear	1.47:1
		1	Lower section	1.59:1
		1	Lower section	1.68:1
		1	Gear	1.78:1
2	3858599	1	• Gear housing	
3	873232	2	• O-ring	
3A	946438	3	• O-ring	
4	955981	1	• O-ring	
5	11044	1	• Roller bearing	
6	941823	1	• Shim, 0.10 mm	As required
	967352	1	• Shim, 0.05 mm	As required
	941824	1	• Shim, 0.20 mm	As required
	967351	1	• Shim, 0.15 mm	As required
	941825	1	• Shim, 0.40 mm	As required
7	184654	1	• Needle roller bushin	
8		1	• Shaft	
9	3858461	1	• Gear	1.47:1
	3856530	1	• Gear	1.59:1
	3856526	1	• Gear	1.68:1
	3856528	1	• Gear	1.78:1
10	852212	1	• Nut	
11	941832	1	• Shim, 0.05 mm	As required
	941833	1	• Shim, 0.20 mm	As required
12	183374	1	• Ball bearing	
13	944970	1	• Shim	As required
14	11072	1	• Roller bearing	
15	897387	1	• Tensioning ring	
16	944522	1	• Shim, 0.05 mm	As required
	42981	1	• Shim, 0.10 mm	As required
	42980	1	• Shim, 0.35 mm	As required
	968057	1	• Shim, 0.20 mm	As required
17	969071	1	• Round nut	
18	183859	1	• Needle roller bushin	
19	184683	1	• Inner ring	
20	184765	1	• Roller bearing	
21	851407	2	• Sealing ring	
22	183272	1	• Needle roller bushin	
23	853871	1	• Sealing ring	
24	184691	1	• Roller bearing	
25	191834	1	• Shim, 0.10 mm	As required
	191835	1	• Shim, 0.15 mm	As required
	191837	1	• Shim, 0.25 mm	As required
26	872136	1	• Bearing housing	
27	872393	1	• Propeller shaft	
28	872403	1	• Washer	
29	872174	1	• Lock screw	
30	872172	1	• Thrust ring	
31	876638	1	• Zinc electrode	
32	963684	2	• Hex. socket screw	
33	3851335	1	• Propeller nut, Front	
34	872179	1	• Propeller nut, Rear	
35	814482	1	• Oil strainer	
36	925256	1	O-ring	
37	959457	4	Hex. socket screw	
38	853095	4	Washer	
39	3856520	1	Splined sleeve	

DPX-R

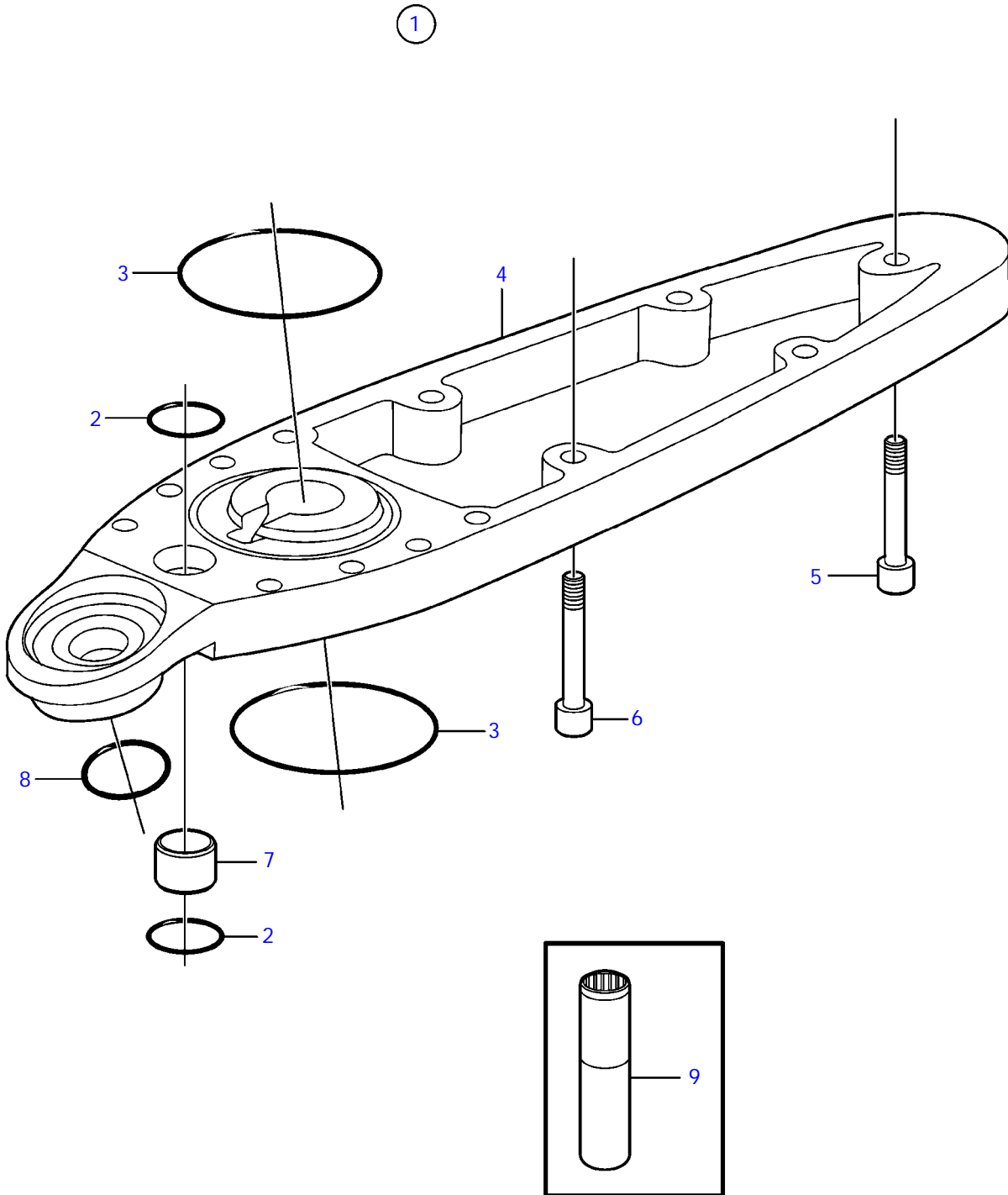


DPX-R



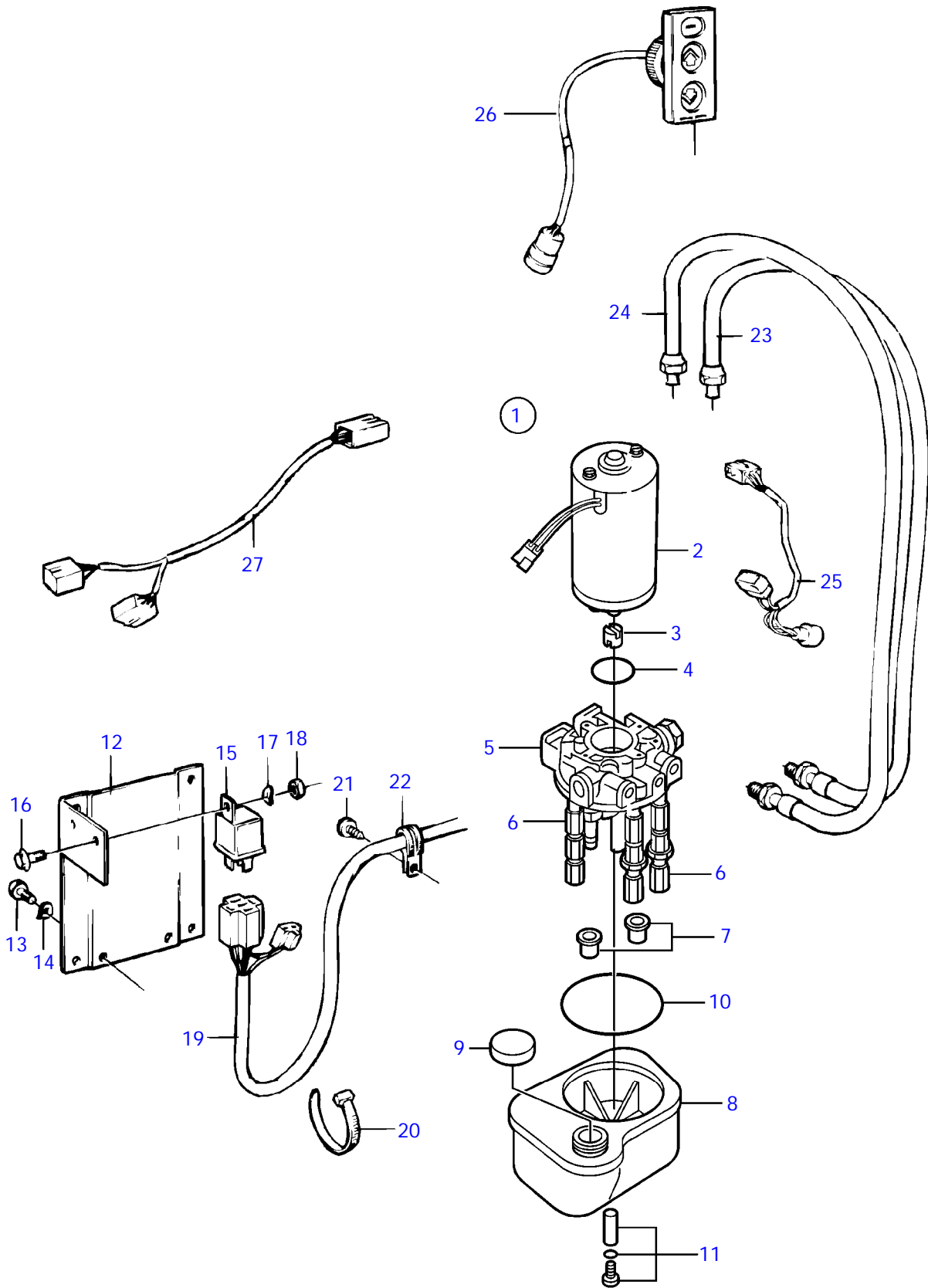
12661

DPX-R 1.47, DPX-R 1.59, DPX-R 1.68, DPX-R 1.78



20613

DPX-R

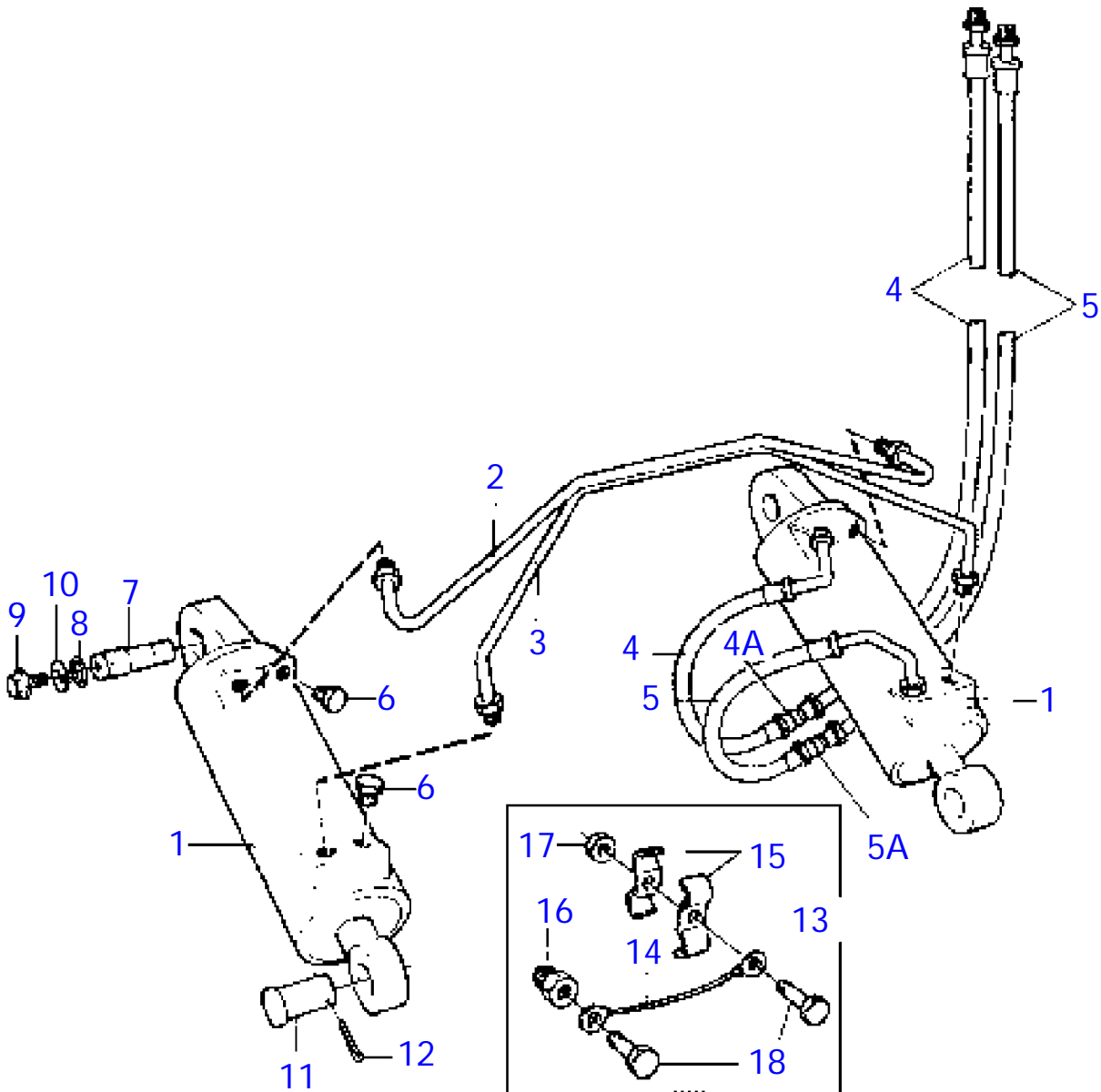


24545

DPX-R

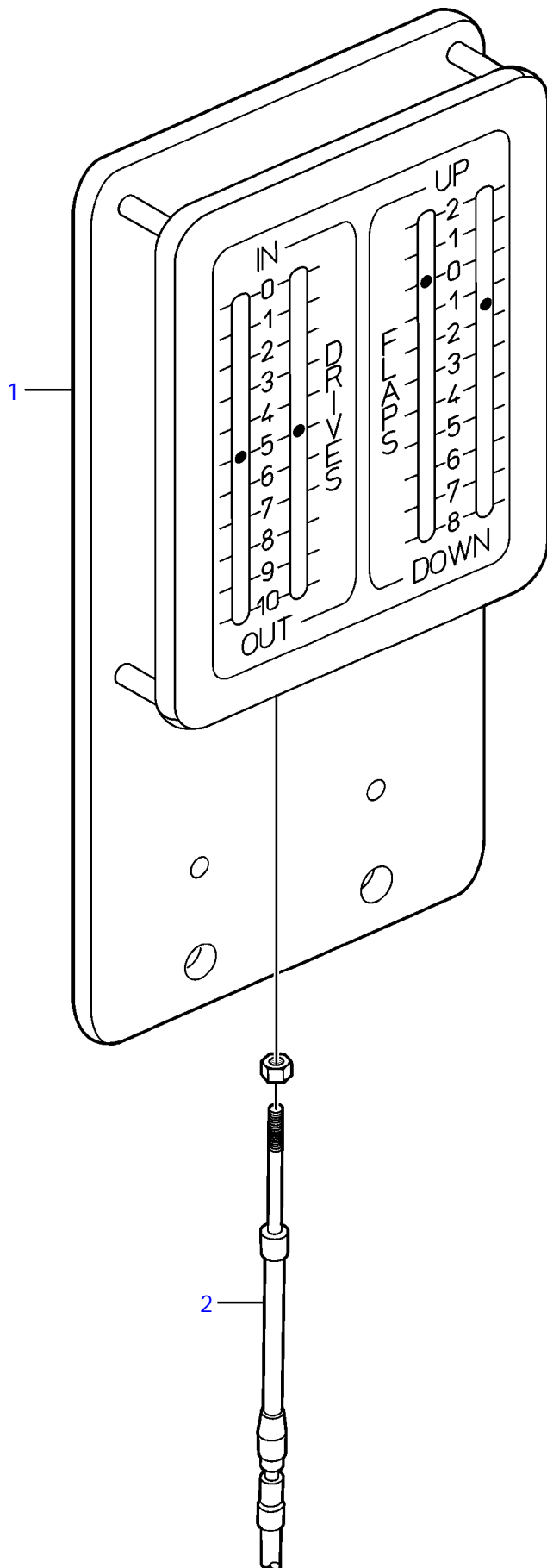
REF	PART NO.	QTY	DESCRIPTION	NOTES
1	3857006	1	Hydraulic pump	
2	854525	1	• Electrical motor	
3	3858072	1	• Connector	
4	3858073	1	• O-ring	
5	854528	1	• Valve housing	
6	854535	1	• Hydraulic pump	
	873057	1	• Delivery valve	
	854537	1	• Pressure box	
7	3858076	2	• Filter	
8	854531	1	• Reservoir	
9	3858079	4	• Cardboard tube	
10	3858078	1	• Sealing	
11	854534	1	• Small parts kit	
12	854438	1	• Bracket	
13	970945	2	• Hexagon screw	
14	941908	2	• Spring washer	
15	854357	2	• Relay	
16	948663	2	• Flange screw	
17	941905	2	• Spring washer	
18	955780	2	• Hexagon nut	
19	872448	1	Wiring harness	
20	948211	1	Cable tie	
21	968476	4	Flange screw	
22	952630	4	Clamp	
23	873228	1	Hydraulic hose	Front
24	873229	1	Hydraulic hose	Rear
25	853032	1	Cable trunk	
	948294	1	• Housing	
	965822	1	• Cable terminal	As required
	853498	1	• Receptacle housing	
	853521	1	• Cable terminal	As required
26	3855650	1	Control panel	
27	853066	1	Cable trunk	Dual station

DPX-R



GR71112

DPX-R

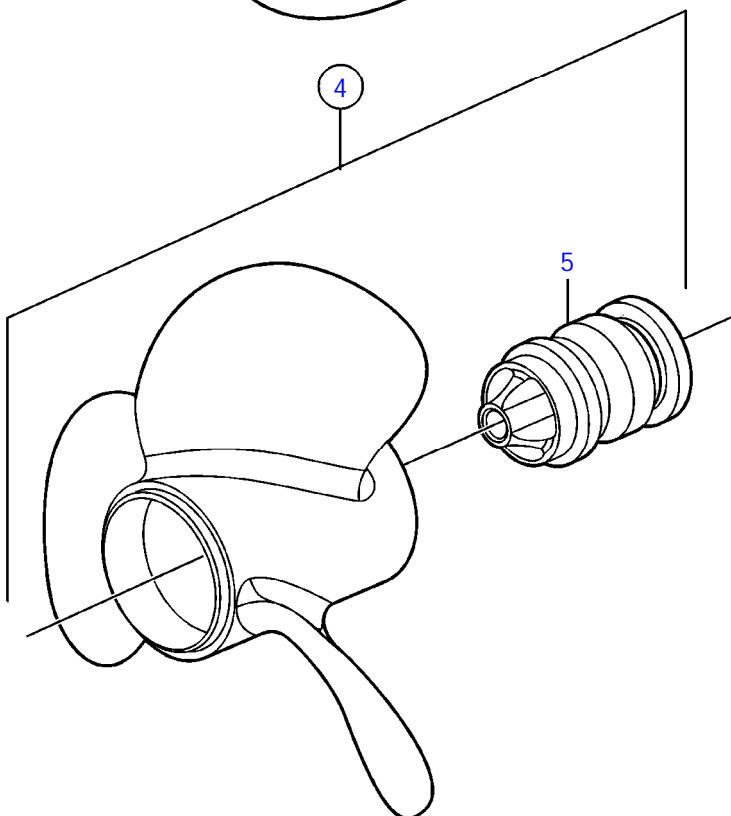
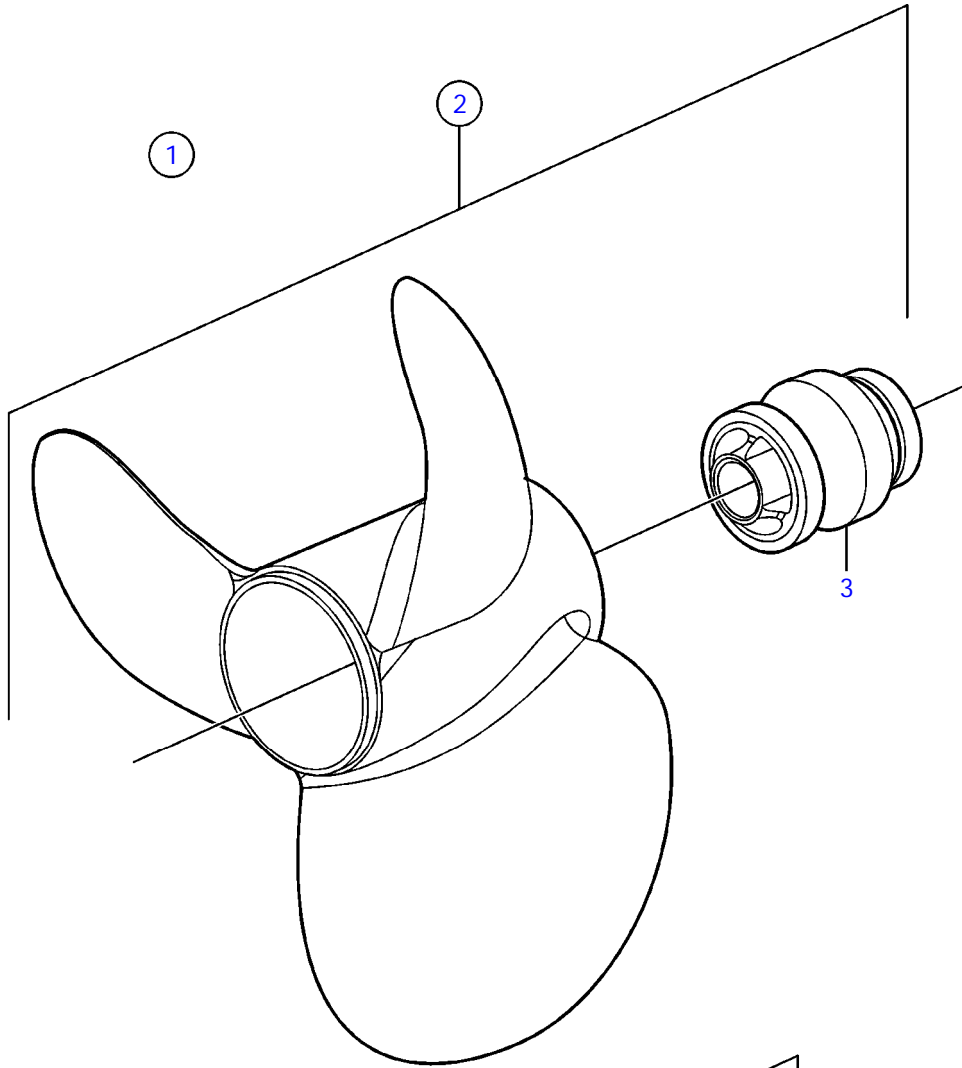


20585

DPX-R

REF	QTY	DESCRIPTION	NOTES
1	1	Trimmer	SINGLE DRIVE
	1	Trimmer	With dual trim tabs, SINGLE DRIVE
	1	Trimmer	TWIN DRIVES
	1	Trimmer	With dual trim tabs, TWIN DRIVES
	1	Trimmer	TRIPLE DRIVES
	1	Trimmer	With dual trim tabs, TRIPLE DRIVES
2	X	Cable	As required

DPX-R 1.47, DPX-R 1.51, DPX-R 1.59, DPX-R 1.68, DPX-R 1.78

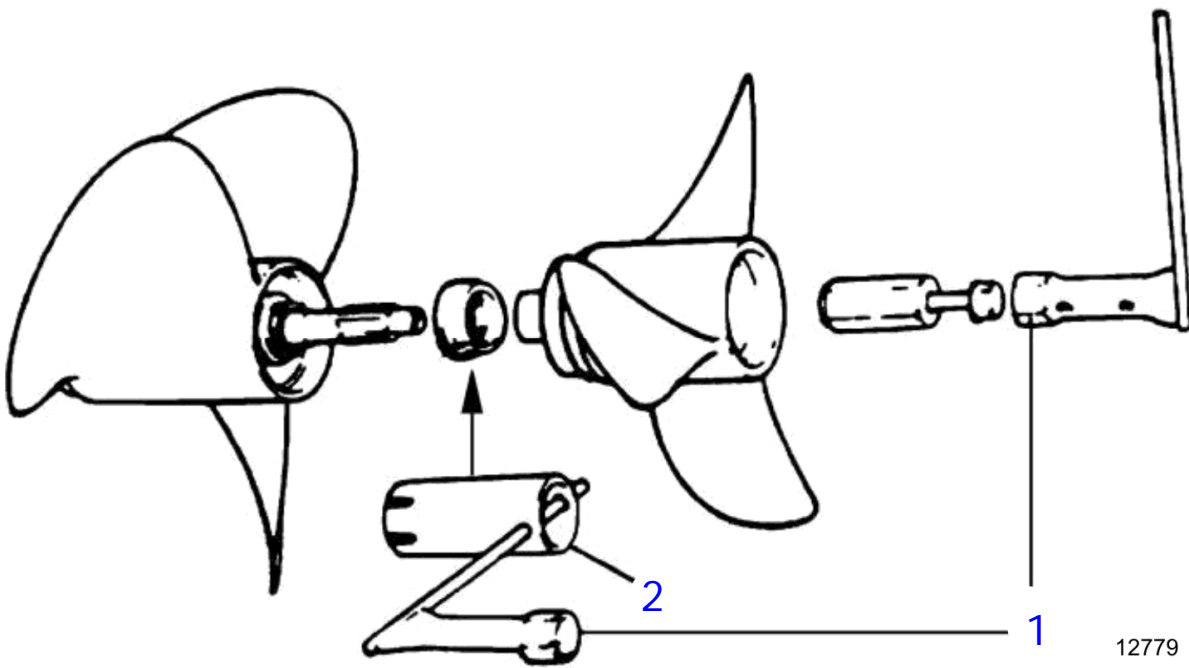


20885

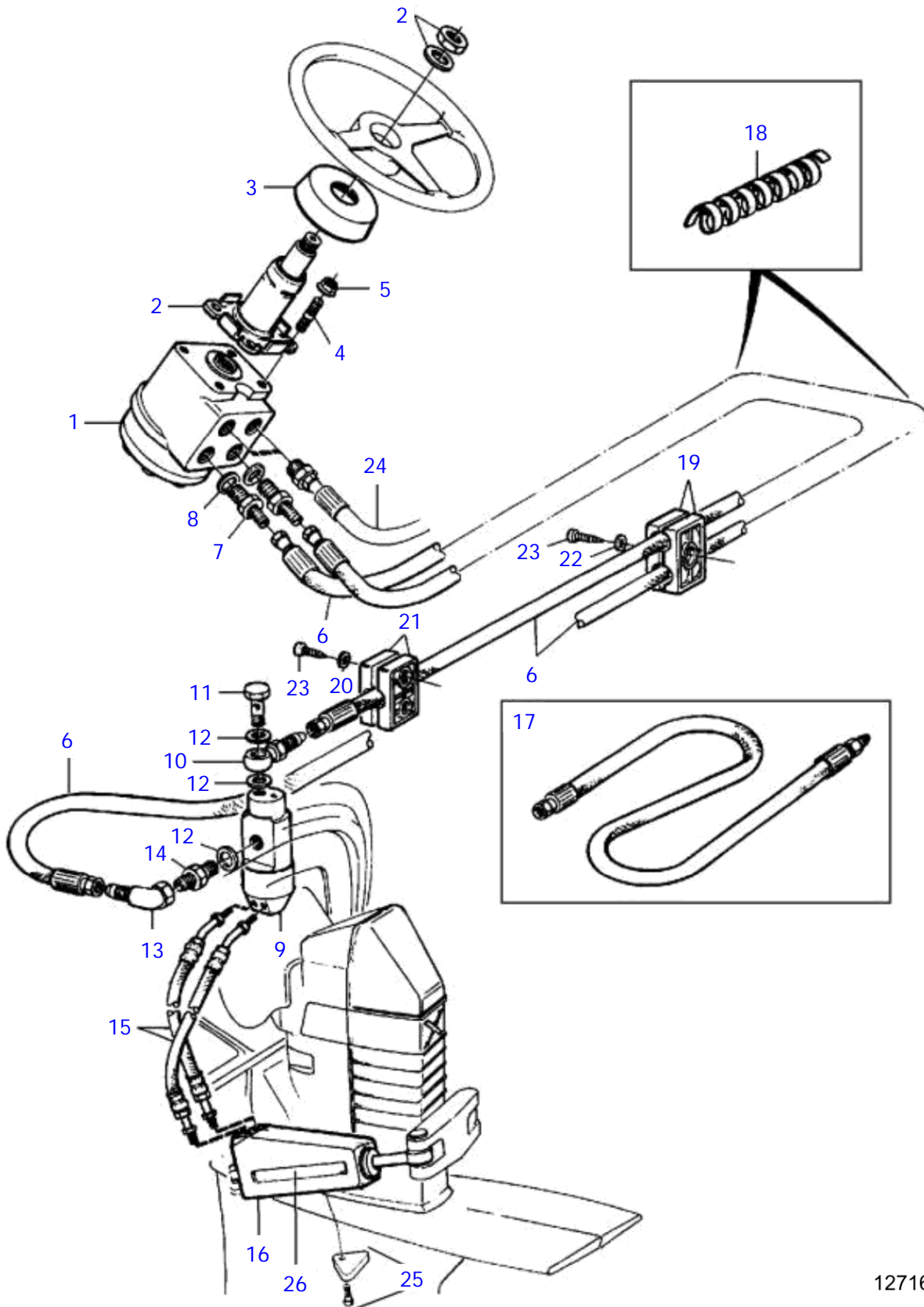
DPX-R 1.47, DPX-R 1.51, DPX-R 1.59, DPX-R 1.68, DPX-R 1.78

REF	PART NO.	QTY	DESCRIPTION	SEE SEC.	NOTES
1	3860065	X	Propeller		SET, E2
			• Bulletin P-44-7-1	P-44-7-1-EN	Duoprop Propellers
1	3860066	X	Propeller		SET, E3
	3860067	X	Propeller		SET, E4
2	872422	1	• Propeller		FRONT, E2
	872423	1	• Propeller		FRONT, E3
	872424	1	• Propeller		FRONT, E4
3	872176	1	• • Hub		
4	3860011	1	• Propeller		REAR, E2
	3860012	1	• Propeller		REAR, E3
	3860013	1	• Propeller		REAR, E4
5	872177	1	• • Hub		

DPX-R 1.47, DPX-R 1.51, DPX-R 1.59, DPX-R 1.68, DPX-R 1.78



DPX-R

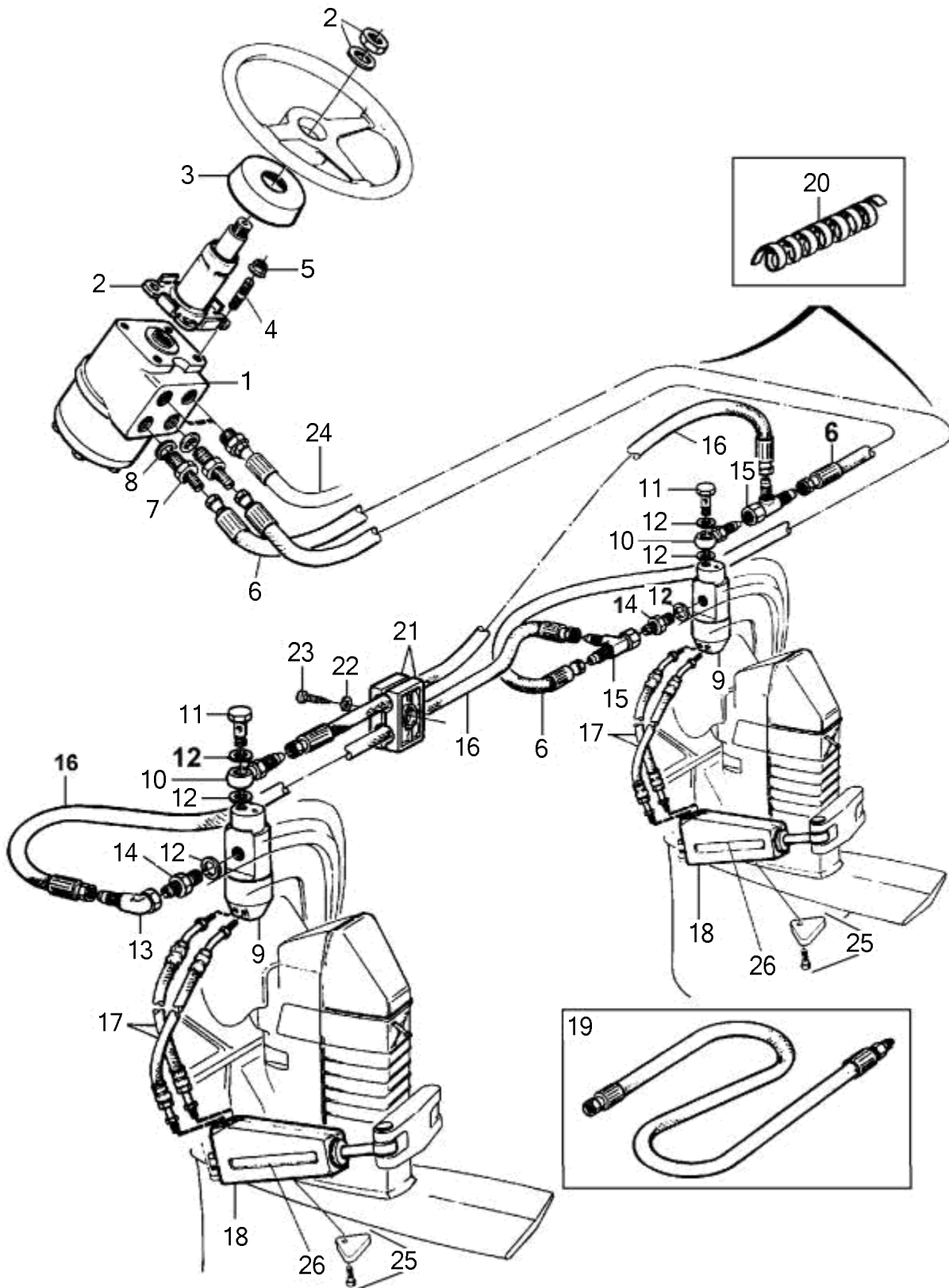


12716

DPX-R

REF	PART NO.	QTY	DESCRIPTION	NOTES
1	872155	1	Pump unit	
2	872157	1	Steering column	
3	873357	1	Cover	
4	924085	4	Stud	
5	971095	4	Flange nut	
6	872158	2	Pressure hose, L = 6000 mm	
7	873340	2	Adapter	
8	873341	2	Washer	
9	872956	1	Grommet	
10	873325	1	Banjo nipple	
11	873326	1	Hollow screw	
12	873327	3	Washer	
13	873328	1	Adapter	
14	873329	1	Adapter	
15	872593	4	Hydraulic hose	
16	873231	2	Steering cylinder	Mounted on DPX interm hsg
17	872169	1	Pressure hose, L = 1000 mm	
18	873331	1	Coil, L = 500 mm	
19	873335	1	Clamp	
20	873337	1	Washer	
21	873336	1	Clamp	
22	873338	1	Washer	
23	873339	3	Screw	
24	872158	2	Pressure hose, For servo pumps	
25	872793	2	Zinc electrode	
		2	• Zinc electrode	
	963683	2	• Hex. socket screw	
26	872965	2	Decal, Steering cylinder	

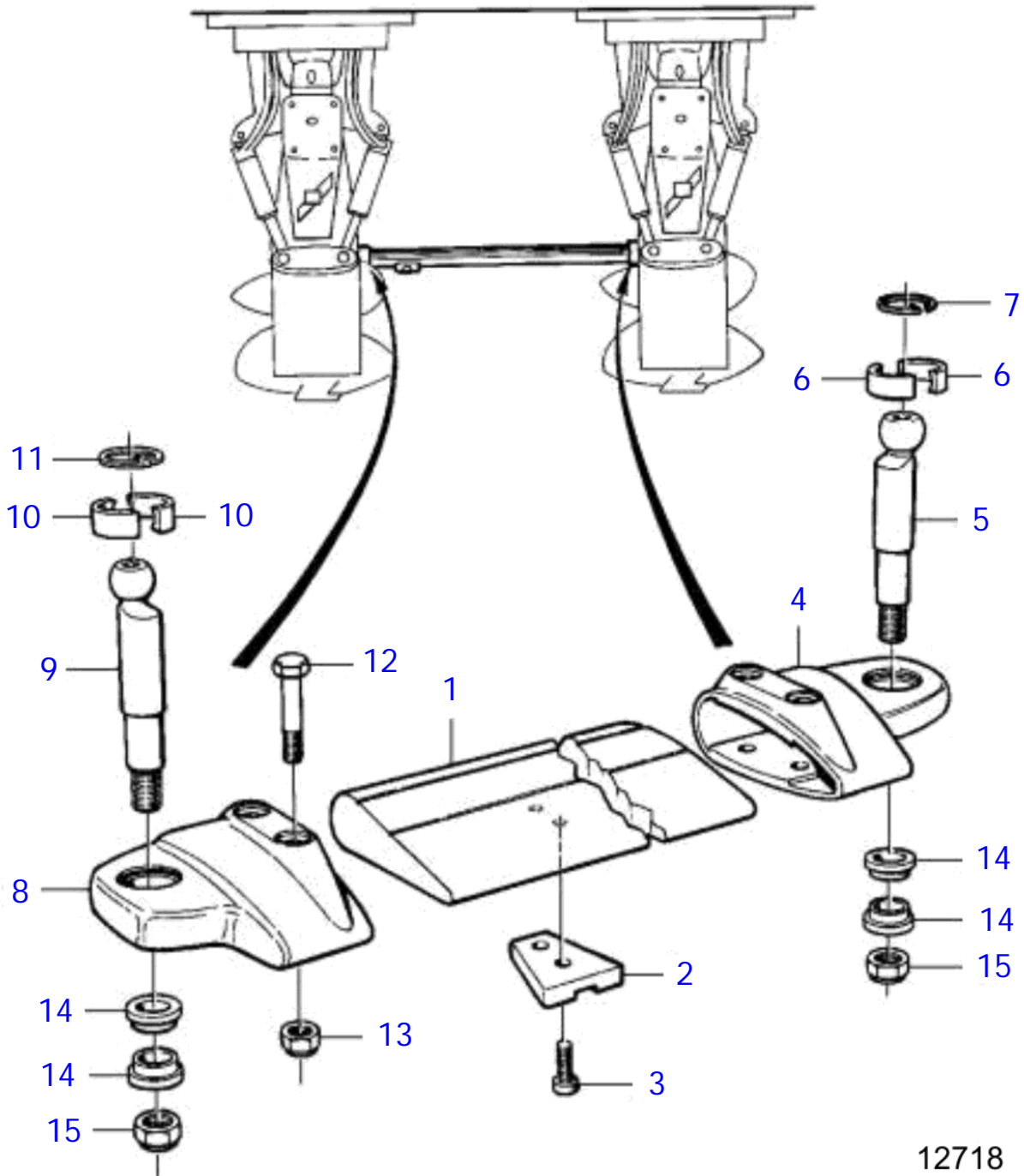
DPX-R



DPX-R

REF	PART NO.	QTY	DESCRIPTION	NOTES
1	872156	1	Pump unit	
2	872157	1	Steering column	
3	873357	1	Cover	
4	924085	4	Stud	
5	971095	4	Flange nut	
6	872158	2	Pressure hose, L = 6000 mm	
7	873340	2	Adapter	
8	873341	2	Washer	
9	872956	2	Grommet	
10	873325	2	Banjo nipple	
11	873326	2	Hollow screw	
12	873327	6	Washer	
13	873328	2	Adapter	
14	873329	2	Adapter	
15	873330	2	Manifold	
16	872166	2	Pressure hose, L = 1200 mm	
17	872593	8	Hydraulic hose	
18	873231	4	Steering cylinder	Mounted on DPX interm hsg
19	872169	1	Pressure hose, L = 1000 mm	
20	873331	1	Coil, L = 500 mm	
21	873335	3	Clamp	
22	873337	3	Washer	
23	873339	3	Screw	
24	872158	2	Pressure hose, For servo pump	
25	872793	2	Zinc electrode	
		2	• Zinc electrode	
	963683	2	• Hex. socket screw	
26	872965	2	Decal, Steering cylinder	

DPX-R



12718

DPX-R

REF	PART NO.	QTY	DESCRIPTION
1		1	Stay
2	876638	1	• Zinc electrode
3	963684	2	• • Hex. socket screw
4	872972	1	Link, starboard
5	872497	1	Ball joint
6	872349	2	Ball socket
7	872713	1	Snap ring
8	873121	1	Link, port
9	872497	1	Ball joint
10	872349	2	Ball socket
11	872713	1	Snap ring
12	873218	4	Screw
13	873219	4	Lock nut
14	872348	4	Washer
15	873220	2	Lock nut

DPX-R 1.47, DPX-R 1.51, DPX-R 1.59, DPX-R 1.68, DPX-R 1.78

REF	PART NO.	QTY	DESCRIPTION
1	876266	1	Gasket kit, Upper gear unit
	17253	2	• Split pin
	17276	1	• Split pin
	125017	1	• O-ring
	181620	1	• Sealing ring
	804344	1	• Gasket
	814168	1	• Gasket
	814356	1	• Sealing
	876278	2	• Bushing kit
	832669	1	• Gasket
	876279	2	• Bushing kit
	876507	1	• Bushing kit
	853670	1	• Sealing ring
	873291	1	• Sealing ring
	897682	1	• Gasket
	979254	1	• O-ring
	925093	1	• O-ring
	925095	1	• O-ring
	925256	2	• O-ring
	925259	1	• O-ring
	942615	1	• Sealing ring
	955974	1	• O-ring
	955989	1	• O-ring
	956000	1	• O-ring
	876639	1	Gasket kit, Lower gear unit
	946438	3	• O-ring
	955981	1	• O-ring
	852212	1	• Nut
	872403	1	• Washer
	969071	1	• Round nut
	851407	2	• Sealing ring
	853871	1	• Sealing ring
	125017	1	• O-ring
	925256	1	• O-ring
	872755	1	• Sealing ring
	873232	2	• O-ring

--

DESCRIPTION	SEE SEC.	NOTES
Exhaust and Cooling Water Inlet	11142	DPX-R
Transom Shield	35220	DPX-R
Upper Gear Unit	11133	DPX-R 1.47, DPX-R 1.51, DPX-R 1.59, DPX-R 1.68, DPX-R 1.78
Intermediate Housing	11134	DPX-R 1.47, DPX-R 1.51, DPX-R 1.59, DPX-R 1.68, DPX-R 1.78
Lower Gear Unit	11135	DPX-R 1.47, DPX-R 1.51, DPX-R 1.59, DPX-R 1.68, DPX-R 1.78
Mounting Kit, Clamp Ring	11143	DPX-R
Exhaust Block-off Kit	10675	DPX-R
Extension Kit 1"	10980	DPX-R 1.47, DPX-R 1.59, DPX-R 1.68, DPX-R 1.78
Trim Pump	35221	DPX-R
Trim Cylinders	11141	DPX-R
Trim Gauge	7307	DPX-R
Propeller, Duoprop	4838	DPX-R 1.47, DPX-R 1.51, DPX-R 1.59, DPX-R 1.68, DPX-R 1.78
Propeller Tool Kit	10862	DPX-R 1.47, DPX-R 1.51, DPX-R 1.59, DPX-R 1.68, DPX-R 1.78



--

DESCRIPTION	SEE SEC.	NOTES
Steering and Steering Cylinders for Single Installation	11147	DPX-R
Steering and Steering Cylinders for Dual Installation	11148	DPX-R
Tie Bar Kit	11149	DPX-R



--

DESCRIPTION	SEE SEC.	NOTES
Repair Kits	11154	DPX-R 1.47, DPX-R 1.51, DPX-R 1.59, DPX-R 1.68, DPX-R 1.78



--

REF	DESCRIPTION	SEE SEC.
44	Transmissions	44
64	Steering System	64
99	Repair Kits	99

